



# Cabinet Accessories from **Cliff UK**



**Cliff Electronic Components Limited**

76 Holmethorpe Avenue,  
Holmethorpe Industrial Estate,  
Redhill, Surrey RH1 2PF. United Kingdom.

**Tel:** +44 (0)1737 771375

**Fax:** +44 (0)1737 766012

**E-mail:** sales@cliffuk.co.uk



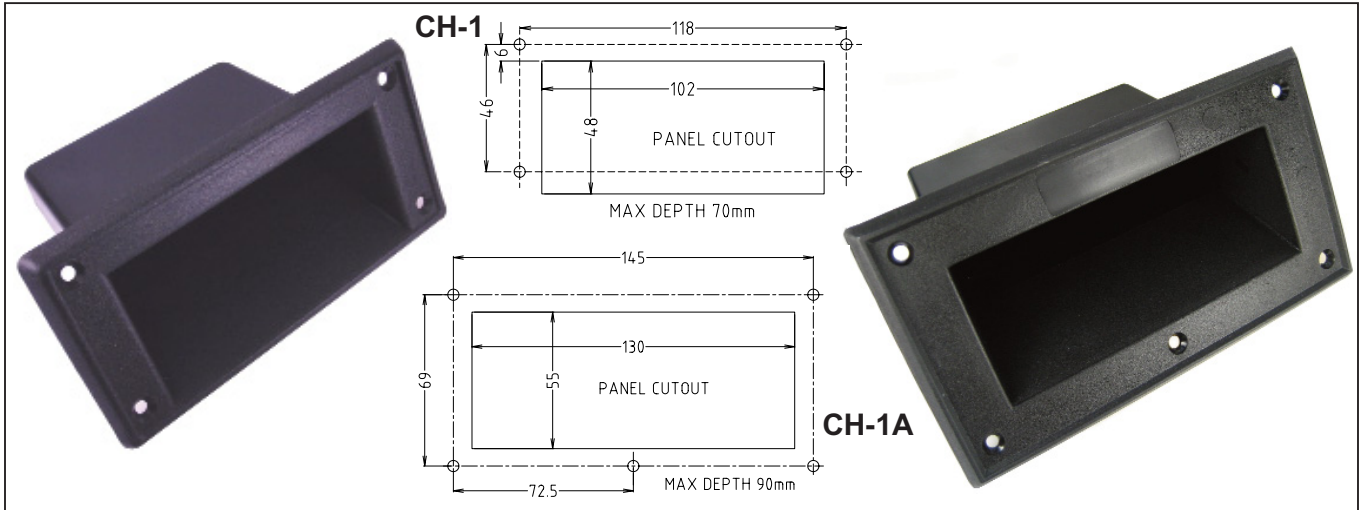
Visit us online at:

[www.cliffuk.co.uk](http://www.cliffuk.co.uk)

Our range of handles is intended for use on wood, MDF, chipboard or metal enclosures. Manufactured from a range of material including ABS, Glass Reinforced Nylon and PP, they are designed to enhance the appearance and functionality of any equipment to which they are fitted. Some parts can be custom branded.

## CH-1 Pocket Handle

## CH-1A Pocket Handle



CH-1 & CH-1A are for use on cabinets up to 19mm thick, or metal enclosures. For wood use screw No. 6, and for metal use Ø4mm bolts or pop rivets. The support flange behind the front upper face should ideally make contact with the top face of the cutout, so that all the weight is not on the fixing screw. Standard colour black (PP).

CH-1A is much larger than CH-1.

Part No. **CH-1 - CL1910** Weight 9.8Kg./250 Part No. **CH-1A - FCR6878** Weight 8Kg./100

## CH-2 Large Cabinet Handle



CH-2 is a heavy duty bar handle designed for use on larger, heavier wood or metal cabinets. It comprises a front and a back plate which snap together. This two part assembly gives a reduction in storage space compared to one-part handles. The mounting flange is provided with a moulded sealing rib which will give a good airtight seal on cloth or plastic covered cabinets. For watertight seal - use sealing compound under flange. A moulded recess in the bar can accommodate a name plate or logo.

Vertical / Horizontal Pull Strength (on 19mm. chipboard cabinet) >300Kg

Fixing Screws - Select suitable length for cabinet, with 90° head taper. 8 screws required.

Max Depth: 50mm.

Max Front Protrusion: 8.0mm.

Front Part No. **CL19122**

Back Part No. **CL19123**

Weight 17Kg./100 pcs.



# HANDLES

## Rack and Strap Handles

CH-3A & CH-3B



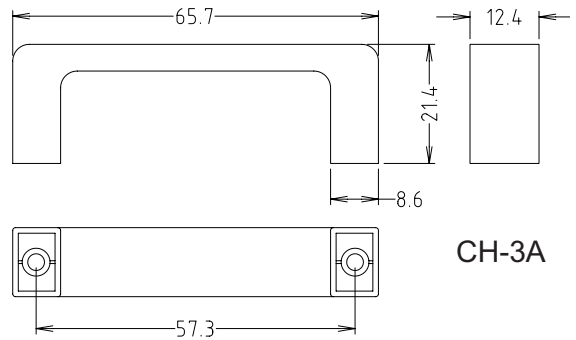
One piece moulded cabinet rack handle. Matt black finish. For fixing, use a No. 6 self tap screw  $\frac{5}{8}$ " long.

Two sizes. Smaller CH-3A for 2U cabinet.

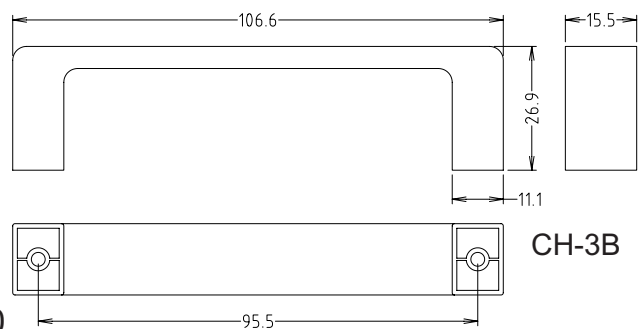
Larger CH-3B for 3U cabinet.

Part No. **CH-3A - CP3016** Weight 9.2Kg./1000

Part No. **CH-3B - CP3017** Weight 18.3Kg./1000

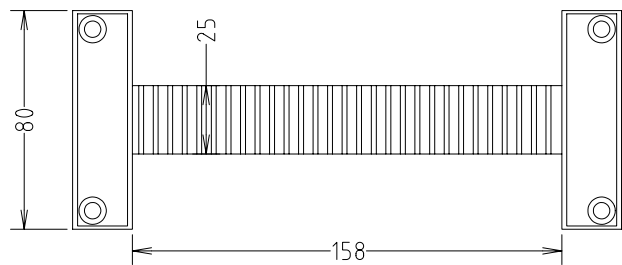
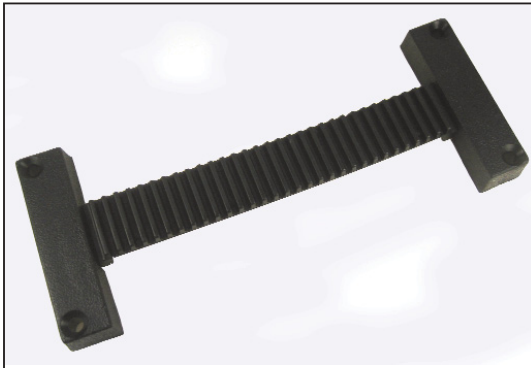


CH-3A



CH-3B

### CH-4

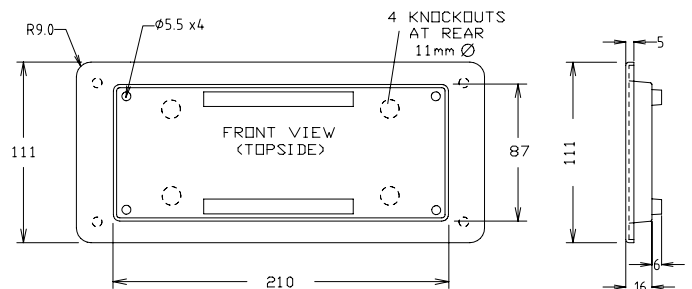


Strap handle and fixing ends. Textured matt black finish. Breaking strength >200Kg. Fixing by suitable wood screw or nuts and bolts.

Part No. **OD6560**

Supplied as one handle and 2 end pieces. Foam can be fitted in ends to prevent rattle.

### Recess Plate for CH-4



Used with CH-4 strap handle for flush mounting. Textured matt black finish. Knockouts for Jack Sockets are provided. Can also be used as a general purpose recess plate.

Part No. **CL1913**

Combined Weight 55Kg./1000 (Handle & Recess plate)

**For further information, contact [sales@cliffuk.co.uk](mailto:sales@cliffuk.co.uk)**



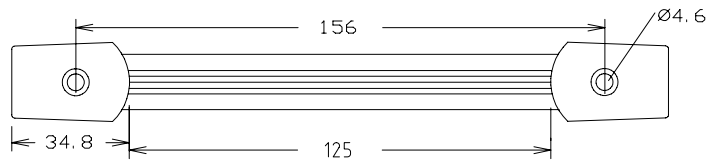


# HANDLES

## Rack and Strap Handles



E Ends shown



CH-5E 6" long strap handle. Black vinyl handle with steel insert. Visible screws. Weight 3.1Kg./100

CH-5D has snap-on screw covers. Weight 3.8Kg./100

CH-5 strap only (OD65632)

D ends (pair) (OD65638) E ends (pair) (OD65636)



D Ends shown

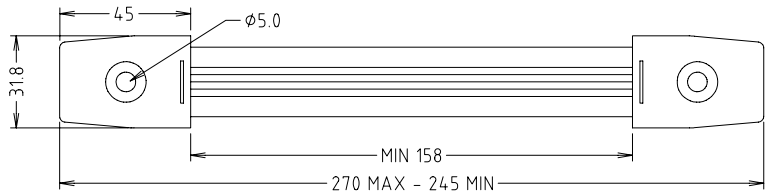


CH-6E 8" long strap handle. Black vinyl handle with steel insert. Visible screws. Weight 3.5Kg./100

CH-6D has snap-on screw covers. Weight 4.2Kg./100

CH-6 strap only (OD65634)

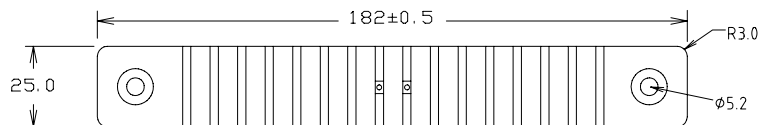
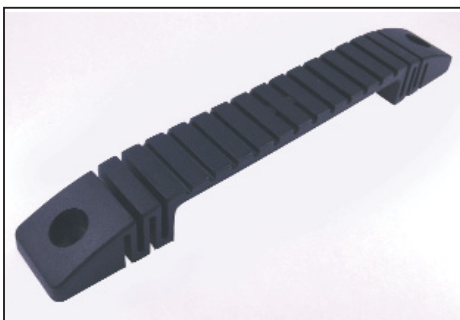
D ends (pair) (OD65638) E ends (pair) (OD65636)



CH7-DC 10" long strap handle. Tough extruded vinyl handle with steel insert. Visible screws. Weight 10.5Kg./100

CH-7DC strap (FM6878)

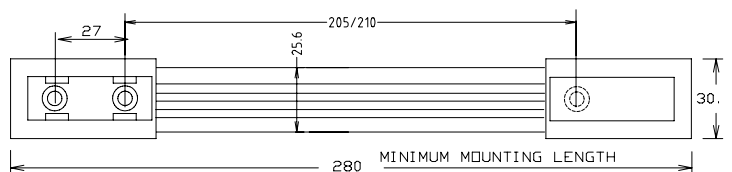
CH-7DC ends (FM68787)



CH-8 7" long, elegant one piece moulded handle. Matt black finish. Useable for static loads up to 15Kgs.

Weight 3.5Kg./100

CH-8 (CL19135)



CH-10 10" long strap handle. Tough extruded vinyl handle with steel insert. Matt black plastic screw end covers.

Weight 6.5Kg./100

CH-10 strap (FM6878) CH-10 ends (FCR68787)

## RECESS PLATES

### SRP-1



SRP-1 is moulded in black (std), white or grey plastic, designed to allow flush mounting on the front of a cabinet for our S2 and S4 type jack sockets.

This recess plate can also be used for lamps, switches etc. for enhancing the external appearance of cabinets and entertainment equipment. Made with a matt non reflective surface finish.

Part No. [CL1396](#) Weight 2.8kg./1000

### SRP-2A



This mounting plate is designed to accommodate a wide variety of input / output connectors. The basic version includes a pair of holes on 19.05mm centres with allow fitting of 1 pair of insulated terminals e.g. our TPP/3, 4 or 5. The mounting distance is 24mm, so any suitable PCB mounting components can be used. It is possible to fit Jack Sockets, XLR, Cliffcon or phono connectors with or in place of terminals. The plate can also be punched or drilled if necessary.

There are many other possible options, contact our Sales department to discuss your requirement.

## HI-FI TERMINAL PLATE



This terminal plate is useable in all types of Hi-Fi speakers cabinets. Features include :

- Tough airtight construction
- Solid brass gold plated terminals. Rated 30A. min.
- Crossover can be mounted at the rear. Vertical or Horizontal.
- Versatile rear tag. PC mounting or ¼" push on receptacle.
- Terminals are flush with surface.
- Gold plated links option.
- Other types of CLIFF terminal can be fitted.

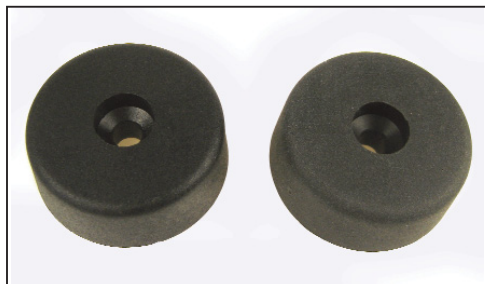
Part Nos.

Hi-Fi Recess Plate [HFRP01 w/o biamp strips](#) - [CL2150](#)

Hi-Fi Recess Plate [HFRP02 with biamp strips](#) - [CL2151](#)

# CLIFF

## CABINET FEET



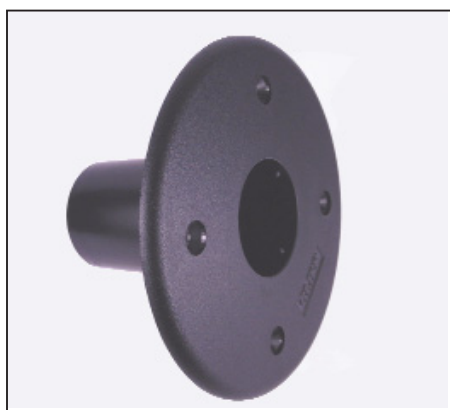
**PF-1 (CL1914)** Moulded plastic foot. Ø37mm. Tough and durable. Fixing is by woodscrew size No. 8 or 10.

Standard colour black. Weight 7.2kg./1000

**PF-1GFN (CL19145)** Special heat resisting version used for laboratory equipment.

**RF-1 (CL1916)** Same as PF-1 but made from synthetic rubber, for non-slip applications. Weight 9.6kg./1000

## 'TOP HAT' MOUNTING PLATE



This product is designed for fixing into the bottoms of speaker cabinets, or lighting assemblies to enable these enclosures to be mounted onto stands. Made from reinforced nylon - they perform the same as metal, but are much lower cost. Breaking strength >500Kg.

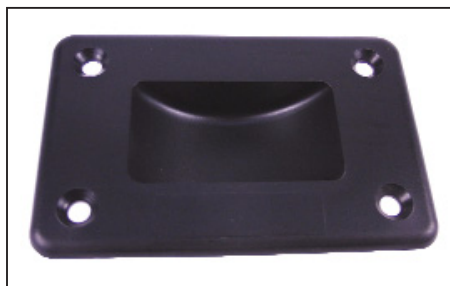
**TH1 - CL19176** for 1<sup>1</sup>/<sub>4</sub>" (31.7mm.) diameter mounting posts.

**TH2 - CL19177** for 1<sup>1</sup>/<sub>8</sub>" (28.6mm.) diameter mounting posts.

**TH3 - CL19178** for 1<sup>3</sup>/<sub>8</sub>" (34.9mm.) diameter mounting posts.

**TH4 - CL19179** for 1<sup>1</sup>/<sub>2</sub>" (38.1mm.) diameter mounting posts.

## CASTER CUP



Caster Cup is designed for use on stacking cabinet systems which have casters fitted. The caster recess will accept most wheels in common use. The cabinet should be recessed just enough to clear the wheel recess, to give best shock resistance. OEM logo can be applied.

Part No. **FCR68590**

Weight 20Kg./1000

## PCB SPACERS - PCS Series



9 different sizes are available. These give a rigid mounting for PCB's or similar assemblies. Fixing by self-tapping screw size No.6 or 8, which are screwed into each end of the post. The centre flat section can be gripped to prevent rotation while fixing. Pop rivets 1<sup>1</sup>/<sub>8</sub>" Ø are suitable for fixing to metal chassis.

TYPE	LENGTH
PCS-025	1/4" (6.35mm)
PCS-05	1/2" (12.5mm)
PCS-075	3/4" (19.0mm)
PCS-100	1" (25.4mm)
PCS-125	1 1/4" (31.7mm)
PCS-137	1 3/8" (34.9mm)
PCS-150	1 1/2" (38.1mm)
PCS-200	2" (50.8mm)
PCS-250	2 1/2" (63.5mm)

For further information, contact [sales@cliffuk.co.uk](mailto:sales@cliffuk.co.uk)

# CLIFF

## CABINET CORNERS

Interlocking Corners / Feet (For Stacking Cabinets)

### CF-1



CF-1 is a general purpose, tough cabinet corner. Its style matches WCF-1 and together they can be used when making wedge type speaker boxes. Weight 15Kg./1000

Part No. [CF-1 Corner - CL19169](#)

### CF-3



CF-3 is a low cost moulding designed for use on speaker and amplifier cabinets. The design incorporates raised sections which act as stand-off feet and interlock when identical size cabinets are stacked on each other.

The 12mm. all round internal radius gives a snug wraparound fit to completely conceal joints and avoid cloth finishing.

For use with 19mm. ply or chipboard enclosures.

Fixing by No.7 CSK screws. Weight 16.2Kg./1000

Part No. [CF-3 Corner - CL19170](#)

### CF-4



CF-4 is a more rugged version of CF-3 and can accommodate a ribbed plastic extrusion, to provide a protective / decorative edge on the top and bottom of the cabinet.

Fixing by No.7 CSK screws.

Supplied in Pairs - left and right hand fitting.

Extrusion supplied in 2 metre lengths.

Weight 30Kg./1000 (500 pairs) Extrusion 35Kg./100 mts.

Part No. [CF-4 Corner \(Pair\) - CL19173](#)

Part No. [CF-4 Extrusion - OD6562](#)

### CF-5



CF-5 extends the concept of CF-4 to allow a specially designed extrusion to be used all round the edges of the cabinet. It permits use of cabinets with square unfinished edges - thereby reducing production costs. It has a rugged appearance and gives good protection to the cabinet corners / edges.

Fixing by No.7 CSK screws. We suggest extrusion is fixed by small nails or black staples on long runs. A small groove is provided. Extrusion is supplied in 2 metre lengths.

Weight 25Kg./1000 Extrusion 18.5Kg./100 mts.

Part No. [CF-5 Corner - OD6595](#)

[CF-5 Extrusion - OD6596](#)

### WCF-1



WCF-1 is a rugged corner designed especially for making wedge type speaker boxes. It can be used with CF-1 which has a similar matching styling. Weight 25.25Kg./1000

Part No. [WCF-1 Corner - CL19172](#)



**Other parts we make which can be used in  
Cabinets & Enclosures.**

**JACK SOCKETS - MANY TYPES & STYLES.**

**KNOBS - 99,000 VARIANTS POSSIBLE.**

**TERMINALS - 15A, 30A, 60A.**

**XLR CONNECTORS - METAL & PLASTIC.**

**CLIFFCON TOUCHPROOF PLUG & SOCKETS  
- 4 POLE & 8 POLE.**

**SWITCHES - PUSH / TOGGLE / ROCKER.**

**POTENTIOMETERS - ROTARY & SLIDER.**

**These products are shown on our website**

**[www.cliffuk.co.uk](http://www.cliffuk.co.uk)**

Our Registered Trademarks

**CLIFF**

**C**