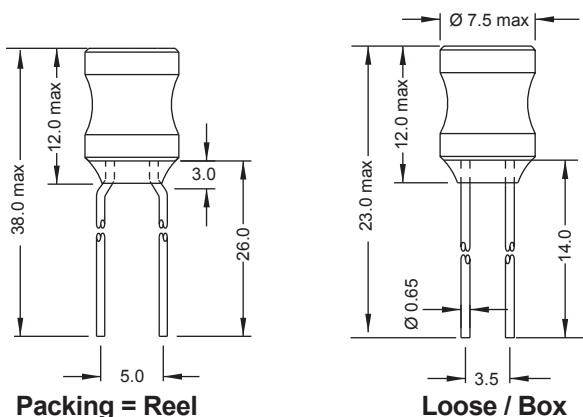


(with tube) **07P**



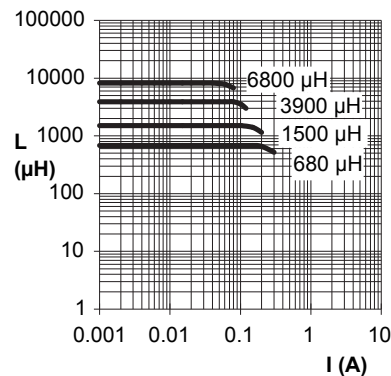
Part No	Inductance L (μH)	f _L (MHz)	Tol. ± (%)	Q min	f _Q (MHz)	SRF min (MHz)	DCR max (Ω)	Rated DC Current (mA)
07P-101X-YY	100	0.02	5,10	60	2.52	5	0.5	460
07P-151X-YY	150	0.02	5,10	70	0.796	4	0.85	350
07P-201X-YY	200	0.02	5,10	80	0.796	3.2	1	320
07P-221X-YY	220	0.02	5,10	80	0.796	3	1	320
07P-251X-YY	250	0.02	5,10	75	0.796	2.8	1.2	300
07P-681X-YY	680	0.02	5,10	80	0.796	2.3	3.7	170
07P-821X-YY	820	0.02	5,10	80	0.796	2.1	4.1	160
07P-102X-YY	1000	0.02	5,10	100	0.252	1.8	5.4	150
07P-122X-YY	1200	0.02	5,10	100	0.252	1.6	5.8	140
07P-152X-YY	1500	0.02	5,10	100	0.252	1.5	6.5	130
07P-182X-YY	1800	0.02	5,10	100	0.252	1.4	7.5	120
07P-222X-YY	2200	0.02	5,10	100	0.252	1.3	8.8	110
07P-272X-YY	2700	0.02	5,10	100	0.252	1.2	9.8	100
07P-332X-YY	3300	0.02	5,10	100	0.252	1.1	13	80
07P-392X-YY	3900	0.02	5,10	100	0.252	1	16.5	75
07P-472X-YY	4700	0.02	5,10	100	0.252	0.9	18.5	70
07P-562X-YY	5600	0.02	5,10	100	0.252	0.8	21	60
07P-682X-YY	6800	0.02	5,10	100	0.252	0.7	29	55
07P-822X-YY	8200	0.02	5,10	100	0.252	0.65	33	50

Material : Ferrite

SPQ :

Packing Form	Loose / Box	Reel
Radial	500 [-50]	700 [-51]

Typical L vs Current



All dimensions in mm

Pluggable Inductors