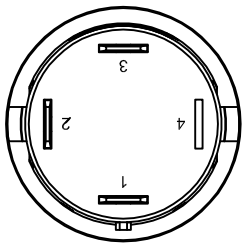
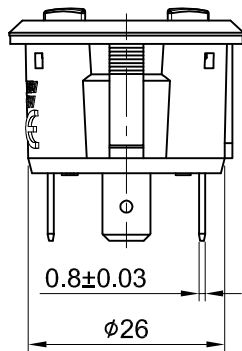
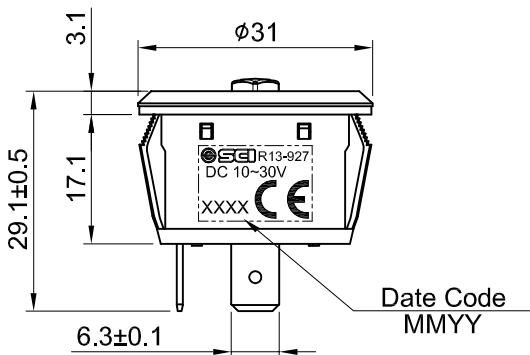
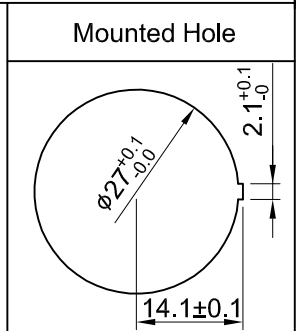
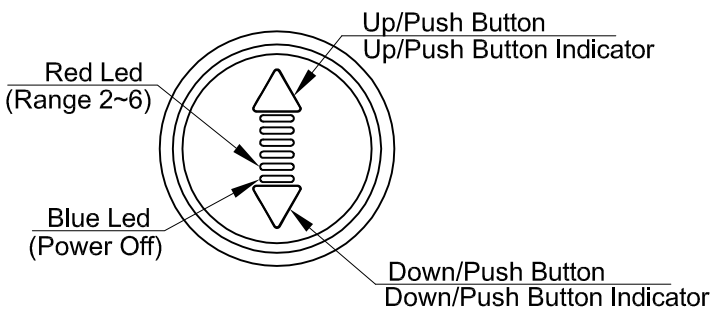
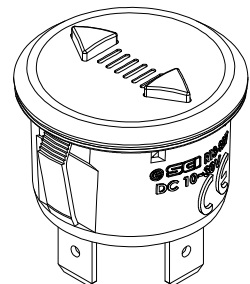


Input Voltage Rating	10~30V DC	<b>Circuit Diagram</b> 
Insulation Resistance	DC 500V 100M Ω min.	
Dielectric Strength	AC 1000V 1 minute	
Output Voltage Range	0.017-3.45V DC	
Operation Temperature	-40°C~85°C	
Push Button	Up/Down: Range (0.017~3.45V DC)	
Led Indicator	Blue1 On: Power Off Range (0.015~0.022V DC) Red 2 On: Range (0.48~0.54V DC) Red 3 On: Range (1.24~1.3V DC) Red 4 On: Range (2.03~2.09V DC) Red 5 On: Range (2.72~2.78V DC) Red 6 On: Range (3.4~3.5V DC) Push Button Indicator: Range (10~30V DC)	



**Materials:**  
 Housing: Nylon, Black (UL flame: 94V-2).  
 Terminals 1, 2: Nickel Plated Brass.  
 Terminal 3: Brass.  
 Up/Down Push Button: PC, White.  
 Up/Down Push Button Indicator: Red.  
 Down/Up Push Button Indicator: Blue.

**Approvals:**  
 Sealed: IP-64 when supplied with panel seal.  
 EN61000-6-1, EN61000-6-3  
 CE Compliant  
 RoHS Compliant



Tolerances Unless Otherwise Specified ±0.3

							△
							△
Date	Name	Description					NO
Drawn	Checked	Approved	SCI BOM No.		Model Name	DCP Control Switch	
Jam Chan			Customer No.		Model No.	R13-927-01-WWUR-UR	REV.
9/12/12			Unit	mm	SHIN CHIN INDUSTRIAL CO., LTD.		0