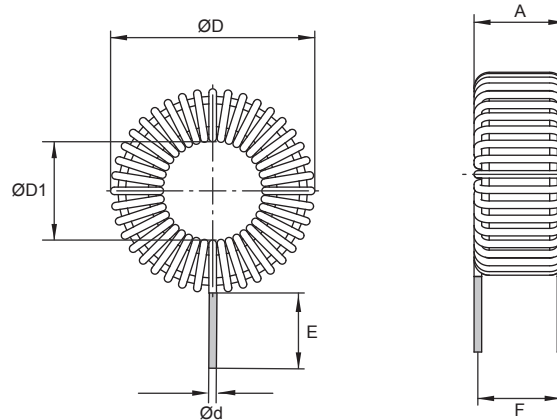


**TLC/1A**



Part No	Inductance (fL = 1 kHz)		Tol ± (%)	DCR max (mΩ)	Weight (grams)	Dimensions					SPQ: Loose / Box	
	At Idc=0A (µH)	At rated current (µH)				ØD max	F	A max	E	Ød		ØD1 min
TLC/1A-100M-00	10	9.6	<b>20</b>	35	3.0	14.5	6	7	10	0.45	5	600
TLC/1A-150M-00	15	14.2	<b>20</b>	44	3.2	14.5	6	7	10	0.45	5	600
TLC/1A-220M-00	22	20.5	<b>20</b>	51	3.3	14.5	6	7	10	0.45	5	600
TLC/1A-330M-00	33	29.8	<b>20</b>	63	3.4	14.5	6	7	10	0.45	5	600
TLC/1A-470M-00	47	41.1	<b>20</b>	75	3.5	14.5	6	7	10	0.45	5	600
TLC/1A-680M-00	68	61.9	<b>20</b>	96	6.2	19.5	6	7	10	0.45	7	500
TLC/1A-101M-00	100	88.2	<b>20</b>	115	6.5	19.5	6	7	10	0.45	7	500
TLC/1A-151M-00	150	133.2	<b>20</b>	158	10.3	22	7.5	8.5	10	0.45	10	400
TLC/1A-221M-00	220	187.4	<b>20</b>	192	10.6	22	7.5	8.5	10	0.45	10	400
TLC/1A-331M-00	330	264.7	<b>20</b>	236	11.2	23	8.5	9.5	10	0.45	10	400
TLC/1A-471M-00	470	417.4	<b>20</b>	325	33.3	30	12.5	13.5	10	0.45	11.5	250
TLC/1A-681M-00	680	579.4	<b>20</b>	393	34.0	31	13.5	14.5	10	0.45	11.5	250
TLC/1A-102M-00	1000	807.0	<b>20</b>	476	35.0	31	13.5	14.5	10	0.45	11.5	250

Material : Iron Dust