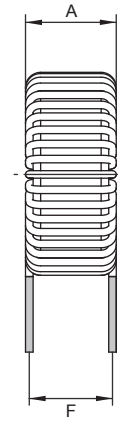
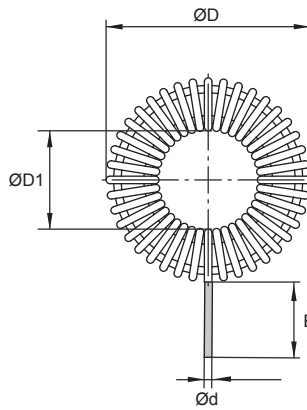


TLC/2.5A



Part No	Inductance (fL = 1 kHz)		Tol ± (%)	DCR max (mΩ)	Weight (grams)	Dimensions						SPQ: Loose / Box
	At Idc=0A (μH)	At rated current (μH)				ØD max	F	A max	E	Ød	ØD1 min	
TLC/2.5A-100M-00	10	9.2	20	14.5	6.2	20	6.5	7.5	10	0.75	6.5	500
TLC/2.5A-150M-00	15	13.2	20	18.5	6.7	20	6.5	7.5	10	0.75	6.5	500
TLC/2.5A-220M-00	22	19.7	20	24.5	10.2	23	8.5	9.5	10	0.75	9.5	400
TLC/2.5A-330M-00	33	28.2	20	30.0	10.6	23	8.5	9.5	10	0.75	9.5	400
TLC/2.5A-470M-00	47	38.3	20	36.0	11.0	23	8.5	9.5	10	0.75	9.5	400
TLC/2.5A-680M-00	68	51.9	20	43.5	11.6	23	8.5	9.5	10	0.75	9.5	400
TLC/2.5A-101M-00	100	86.0	20	60.5	34.0	30	13	14	10	0.75	11.5	250
TLC/2.5A-151M-00	150	122.4	20	74	35.0	30	13	14	10	0.75	11.5	250
TLC/2.5A-221M-00	220	167.2	20	90	36.5	30	13	14	10	0.75	11.5	250
TLC/2.5A-331M-00	330	250.0	20	123	49.5	36	13	14	10	0.75	16.5	200
TLC/2.5A-471M-00	470	372.0	20	167	87.0	45	18	19	15	0.75	21	100
TLC/2.5A-681M-00	680	501.0	20	200	90.0	45	18	19	15	0.75	21	100
TLC/2.5A-102M-00	1000	786.0	20	238	170.0	51	21	22	15	0.75	21	100

Material : Iron Dust

Toroid Line Chokes