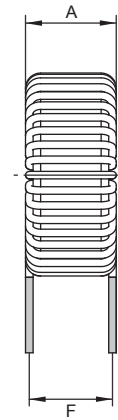
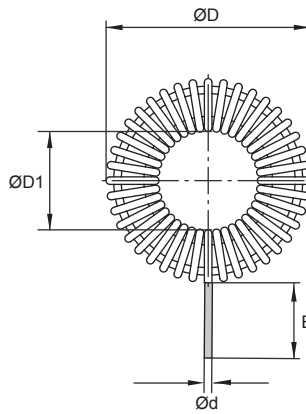


# TLC/5A



Part No	Inductance (fL = 1 kHz)		Tol ± (%)	DCR max (mΩ)	Weight (grams)	Dimensions						SPQ: Loose / Box
	At Idc=0A (µH)	At rated current (µH)				ØD max	F	A max	E	Ød	ØD1 min	
TLC/5A-100M-00	10	8.3	<b>20</b>	8.3	10.8	23	7.5	8.5	10	1.00	9	400
TLC/5A-150M-00	15	11.8	<b>20</b>	10.0	12.4	23	7.5	8.5	10	1.00	9	400
TLC/5A-220M-00	22	19.0	<b>20</b>	14.8	34	30	13	14	10	1.00	11	250
TLC/5A-330M-00	33	27.4	<b>20</b>	17.5	35	30	13	14	10	1.00	11	250
TLC/5A-470M-00	47	36.6	<b>20</b>	21.0	36	30	13	14	10	1.00	11	250
TLC/5A-680M-00	68	49.7	<b>20</b>	24.8	37	30	13	14	10	1.00	11	250
TLC/5A-101M-00	100	81.0	<b>20</b>	38.5	86	45	18	19	15	1.00	21	100
TLC/5A-151M-00	150	113.2	<b>20</b>	47.5	89	45	18	19	15	1.00	21	100
TLC/5A-221M-00	220	176.4	<b>20</b>	56.0	162	51	21	22	15	1.00	21	50
TLC/5A-331M-00	330	245.8	<b>20</b>	68.0	170	51	21	22	15	1.00	21	50
TLC/5A-471M-00	470	399.0	<b>20</b>	116.5	508	83	30	31	20	1.00	45	20
TLC/5A-681M-00	680	546.0	<b>20</b>	140.0	516	83	30	31	20	1.00	45	20
TLC/5A-102M-00	1000	749.0	<b>20</b>	170.0	526	83	30	31	20	1.00	45	20

Material : Iron Dust

Toroid Line Chokes