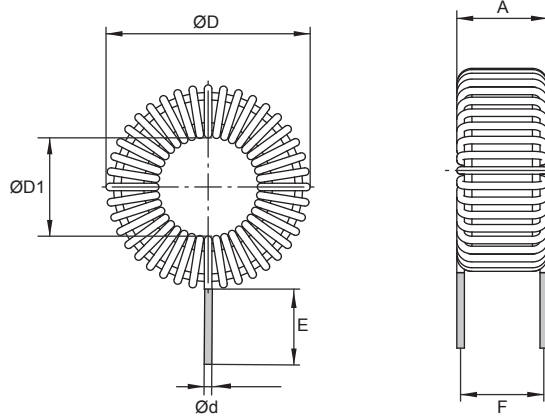


# TLC/10A



Part No	Inductance (fL = 1 kHz)		Tol ± (%)	DCR max (mΩ)	Weight (grams)	Dimensions						SPQ: Loose / Box
	At Idc=0A (µH)	At rated current (µH)				ØD max	F	A max	E	Ød	ØD1 min	
TLC/10A-100M-00	10	8.6	<b>20</b>	5.3	47	37	14	15	10	1.40	15.5	200
TLC/10A-150M-00	15	11.9	<b>20</b>	6.7	49	37	14	15	10	1.40	15.5	200
TLC/10A-220M-00	22	18.2	<b>20</b>	9.0	86	47	19	20	15	1.40	20	100
TLC/10A-330M-00	33	25.7	<b>20</b>	11.0	88	47	19	20	15	1.40	20	100
TLC/10A-470M-00	47	33.7	<b>20</b>	13.5	91	47	19	20	15	1.40	20	100
TLC/10A-680M-00	68	52.6	<b>20</b>	15.5	168	53	22	23	15	1.40	20	50
TLC/10A-101M-00	100	70.5	<b>20</b>	19.5	172	53	22	23	15	1.40	20	50
TLC/10A-151M-00	150	122.5	<b>20</b>	33.5	514	85	31	32	20	1.40	43	20
TLC/10A-221M-00	220	167	<b>20</b>	41	523	85	31	32	20	1.40	43	20
TLC/10A-331M-00	330	231	<b>20</b>	50	534	85	31	32	20	1.40	43	20
TLC/10A-471M-00	470	357	<b>20</b>	65	1024	85	56	57	20	1.40	43	10
TLC/10A-681M-00	680	476	<b>20</b>	79	1041	85	56	57	20	1.40	43	10
TLC/10A-102M-00	1000	781	<b>20</b>	101	2535	110	71	72	20	1.40	50	10

Material : Iron Dust

Toroid Line Chokes