
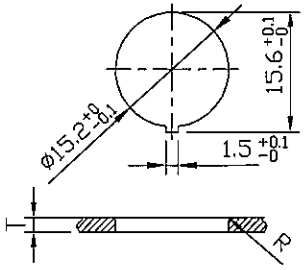
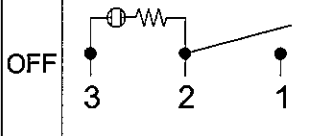
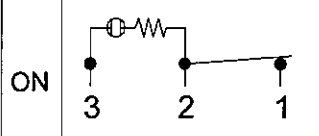
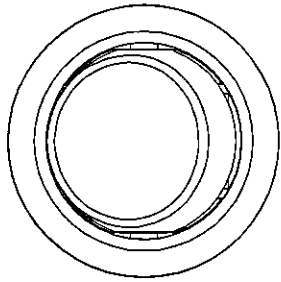
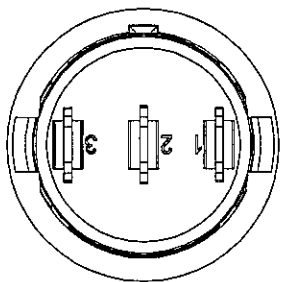
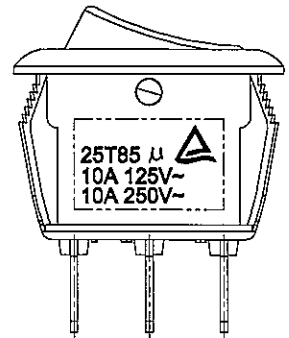
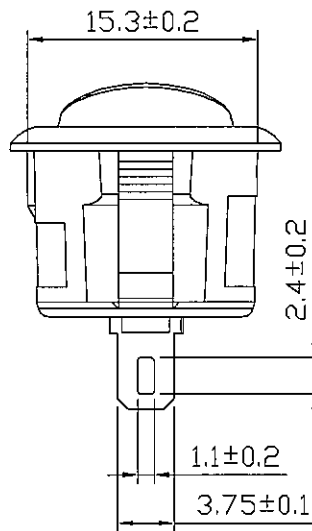
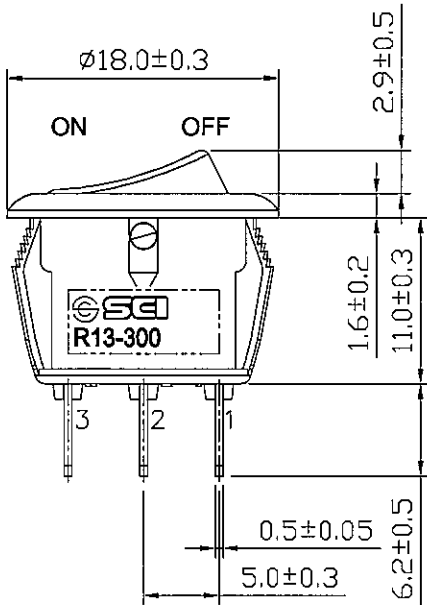


|                       |                                 |   |               |  |   |
|-----------------------|---------------------------------|---|---------------|--|---|
| Rating                | 10A 250V~                       |  | Mounting Hole |  | Circuit Diagram   |
| Contact Resistance    | 50m ohm Max.                    |   | OFF           |  |  |
| Insulation Resistance | DC 500V 100M ohm Min.           |   | ON            |  |  |
| Dielectric Strength   | AC 1500V 1 minute               |   |               |  |   |
| Operation Temperature | -25°C~85°C                      |   |               |  |   |
| Switch Function       | 3P SPST ON-OFF (Neon dependent) |   |               |  |   |



**\*MATERIAL:**

Frame: Black, Nylon 66 (94-V2)  
 Actuator: Green clear, PC (94-V2)  
 Terminals 1/2: Silver plated, Copper alloy  
 Terminal 3: Brass alloy  
 Hot Stamping: None



C3WORK14/R13-300B-05

|          |         |              |              |    |                                |               |      |
|----------|---------|--------------|--------------|----|--------------------------------|---------------|------|
|          |         |              |              |    |                                |               | △    |
|          |         |              |              |    |                                |               | △    |
| Date     | Name    | Descriptions |              |    |                                |               | NO   |
| Drawn    | Checked | Approved     | SCI BOM No.  |    | Model Name                     | ROCKER SWITCH |      |
| B.S.Wang |         | <i>W/B</i>   | Customer No. |    | Model No.                      | R13-300B-05   | REV. |
| 10/12/12 |         | 10/12/12     | Unit         | mm | SHIN CHIN INDUSTRIAL CO., LTD. |               | X0   |