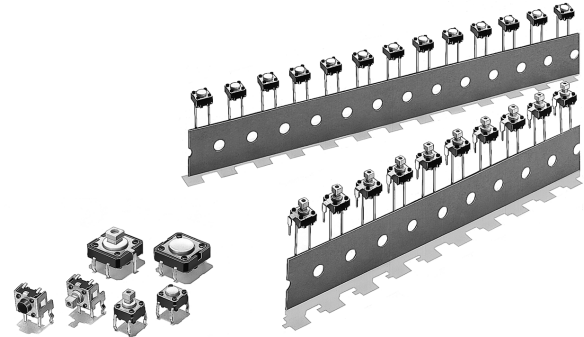


A Wide Range of Models:

6 × 6 mm, 12 × 12 mm, Side-operated, High-force, and Gold-plated.

- Extended mechanical/electrical durability: 10 x 10⁶ operations for 12 x 12 mm type and 1 x 10⁶ operations for the 6 x 6 mm type
- Taped radial type, vertical type and high force types are available.
- Gold plated models available for increased contact reliability, resistance to corrosive gas and insulation failure prevention for ion migration in harsh environments
- Type B32 Key Tops are available for projected plunger models.


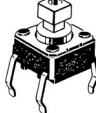



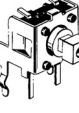

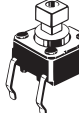
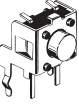
RoHS Compliant

Ordering Information

■ List of Models

6 × 6 mm Models

Type	Plunger	Height	Operating force (OF)	Plunger color	Bags (in units of 100 Switches)	
					Without ground terminal	With ground terminal
Standard (B3F-1000)	Flat type 	4.3 mm	0.98 N {100 gf}	Ivory	B3F-1000	B3F-1100
			1.47 N {150 gf}	Yellow	B3F-1002	B3F-1102
			2.55 N {260 gf}	Orange	B3F-1005	B3F-1105
			4.9 N {500 gf}	Red	B3F-1006	---
		5.0 mm	0.98 N {100 gf}	Black	B3F-1020	B3F-1120
			1.47 N {150 gf}	Gray	B3F-1022	B3F-1122
			2.55 N {260 gf}	Pink	B3F-1025	B3F-1125
			4.9 N {500 gf}	Blue	B3F-1026	---
		5.0 mm (7.5-mm pitch)	0.98 N {100 gf}	Black	---	B3F-1110
		7.0 mm	0.98 N {100 gf}	Black	B3F-1060	---
	1.47 N {150 gf}		Yellow	B3F-1062	---	
	9.5 mm		0.98 N {100 gf}	Black	B3F-1070	---
			1.47 N {150 gf}	Yellow	B3F-1072	---
	2.55 N {260 gf}	Orange	B3F-1075	---		
Projected type 		7.3 mm	0.98 N {100 gf}	Ivory	B3F-1050	B3F-1150
	1.47 N {150 gf}		Yellow	B3F-1052	B3F-1152	
	2.55 N {260 gf}		Orange	B3F-1055	B3F-1155	
	4.9 N {500 gf}		Red	B3F-1056	---	

Type	Plunger	Height	Operating force (OF)	Plunger color	Bags (in units of 100 Switches)	
					Without ground terminal	With ground terminal
Side-operated (B3F-3000)	 Flat type	3.15 mm	0.98 N {100 gf}	Ivory	---	B3F-3100
			1.47 N {150 gf}	Yellow	---	B3F-3102
			2.55 N {260 gf}	Orange	---	B3F-3105
		3.85 mm	0.98 N {100 gf}	Black	---	B3F-3120
			1.47 N {150 gf}	Gray	---	B3F-3122
			2.55 N {260 gf}	Pink	---	B3F-3125
	 Projected type	6.15 mm	0.98 N {100 gf}	Ivory	---	B3F-3150
			1.47 N {150 gf}	Yellow	---	B3F-3152
			2.55 N {260 gf}	Orange	---	B3F-3155
High reliability gold-plated contact	 Flat type	4.3 mm	1.76 N {180 gf}	Yellow	B3F-1002-G	B3F-1102-G
		5.0 mm		Gray	B3F-1022-G	B3F-1122-G
		7.0 mm		Yellow	B3F-1062-G (see note)	---
		9.5 mm		Yellow	B3F-1072-G (see note)	---
	 Projected type	7.3 mm	Yellow	B3F-1052-G	---	
	 Flat type	3.85 mm	1.76 N {180 gf}	Gray	---	B3F-3122-G (see note)
				Yellow	B3F-1062-G (see note)	---
				Black	B3F-3120	---
				Pink	B3F-3125	---

Note: Bulk Packaged, 100 Switches per bag. Order in multiples of the package quantity.

12 × 12 mm Models

Type	Plunger (or LED color)	Height	Operating force (OF)	Plunger color	Bags (in units of 100 Switches)	
					Without ground terminal	With ground terminal
Standard (B3F-4000)	Flat type	4.3 mm	1.27 N {130 gf}	Ivory	B3F-4000	B3F-4100
			2.55 N {260 gf}	Yellow	B3F-4005	B3F-4105
	Projected type	7.3 mm	1.27 N {130 gf}	Ivory	B3F-4050	B3F-4150
			2.55 N {260 gf}	Yellow	B3F-4055	B3F-4155
Long durability (B3F-5000)	Flat type	4.3 mm	1.27 N {130 gf}	Blue	B3F-5000	B3F-5100
	Projected type	7.3 mm		Blue	B3F-5050	B3F-5150
High reliability gold-plated (B3F-5001)	Flat type	4.3 mm	1.27 N {130 gf}	Blue	B3F-5001	B3F-5101
	Projected type	7.3 mm		Blue	B3F-5051	B3F-5151

Note: Bulk Packaged, 100 switches per bag. Order in multiples of the package quantity.

6 × 6 mm Radial Models (Taping Specifications)

Type	Plunger	Height	Operating force (OF)	Plunger color	Taped Radial (1000 Switches)	
					Without ground terminal	With ground terminal
Taped Radial (B3F-6000)	Flat type	4.3 mm	0.98 N {100 gf}	Ivory	B3F-6000	B3F-6100
			1.47 N {150 gf}	Yellow	B3F-6002	B3F-6102
		5.0 mm	0.98 N {100 gf}	Black	B3F-6020	B3F-6120
			1.47 N {150 gf}	Gray	B3F-6022	B3F-6122
	Projected type	7.3 mm	0.98 N {100 gf}	Ivory	B3F-6050	B3F-6150
			1.47 N {150 gf}	Yellow	B3F-6052	B3F-6152

Note: The switches are tape packaged in units of 1,000 per package. Order in multiples of the package size. Switches are not sold individually.

Specifications

■ Ratings/Characteristics

Switching capacity	1 to 50 mA, 5 to 24 VDC (resistive load) (B3F-G: 100 μ A to 50 mA, 5 to 24 VDC)
Ambient operating temperature	-25°C to +70°C at 60%RH max. (with no icing or condensation)
Ambient operating humidity	35% to 85% (at +5 to +35°C)
Contact form	SPST-NO
Contact resistance	100 m Ω max. (initial value) (rated: 1 mA, 5 VDC) B3F-G: (rated: 100 μ A, 5 VDC)
Insulation resistance	100 M Ω min. (at 250 VDC)
Dielectric strength	500 VAC, 50/60 Hz for 1 min
Bounce time	5 ms max.
Vibration resistance	Malfunction: 10 to 55 Hz, 1.5 mm double amplitude
Shock resistance	Destruction: 1,000 m/s ² {approx. 100G} max. Malfunction: 100 m/s ² {approx. 10G} max.
Durability	B3F-1000, B3F-3000, B3F-6000: 1,000,000 operations min (OF: 0.98 N {100 gf}) (B3F-1070: 500,000 operations min) 300,000 operations min (OF: 1.47 N {150 gf}) 100,000 operations min (OF: 2.55 N {260 gf}) 50,000 operations min (OF: 4.9 N {500 gf}) B3F-4000: 3,000,000 operations min (OF: 1.27 N {131 gf}) 1,000,000 operations min (OF: 2.55 N {260 gf}) B3F-5000: 10,000,000 operations min. B3F-G: 300,000 operations min.
Weight	6 \times 6 mm models: approx. 0.25 g 12 \times 12 mm models (standard types): approx. 0.85 g Radial models: approx. 0.25 g

■ Operating Characteristics

Operating force (OF)	B3F-1000, B3F-3000, B3F-6000				B3F-4000, B3F-5000		B3F-G
	0.98 N	1.47 N	2.55 N	4.9 N	1.27 N	2.55 N	1.76 N
Item	B3F-1□□0 B3F-3□□0 B3F-6□□0	B3F-1□□2 B3F-3□□2 B3F-6□□2	B3F-1□□5 B3F-3□□5	B3F-10□6	B3F-4□□0 B3F-5□□0 B3F-5□□1	B3F-4□□5	B3F-1□□2-G B3F-3□□2-G
Operating force (OF)	0.98 \pm 0.29 N {100 \pm 30 gf}	1.47 \pm 0.49 N {150 \pm 50 gf}	2.55 \pm 0.69 N {260 \pm 70 gf}	4.9 \pm 1.47 N {500 \pm 150 gf}	1.27 \pm 0.49 N {130 \pm 50 gf}	2.55 \pm 0.69 N {260 \pm 70 gf}	1.76 \pm 0.49 N {180 \pm 50 gf}
Releasing force (RF)	0.2 N {20 gf} min.	0.49 N {50 gf} min.	0.49 N {50 gf} min.	0.7 N {70 gf} min.	0.29 N {30 gf} min.	0.49 N {50 gf} min.	0.49 N {50 gf} min.
Pretravel (PT)	0.25 ^{+0.2} / _{-0.1} mm				0.3 ^{+0.2} / _{-0.1} mm		0.25 ^{+0.2} / _{-0.1} mm

Dimensions

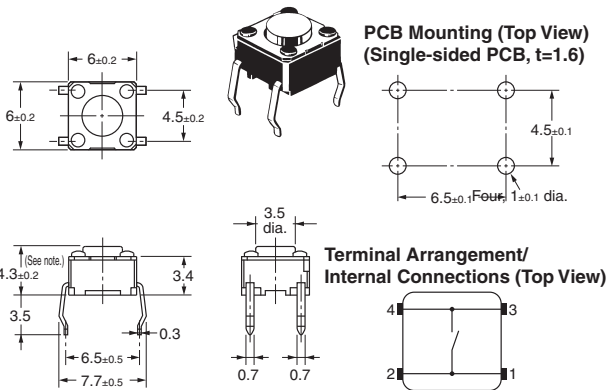
- Note:** 1. All units are in millimeters unless otherwise indicated. Unless otherwise specified, a tolerance of ± 0.4 mm applies to all dimensions.
2. No terminal numbers are indicated on the Switches. The numbers used for terminals in the following graphics are indicated in the "Bottom View" diagram below. In this diagram, the Switch is rotated so that the terminals are on the right and left-hand sides, and the OMRON logo appears the right way up. (Except Side-operated and Radial Models)



6 × 6 mm Models

Standard, Flat Plunger Type (without Ground Terminal)

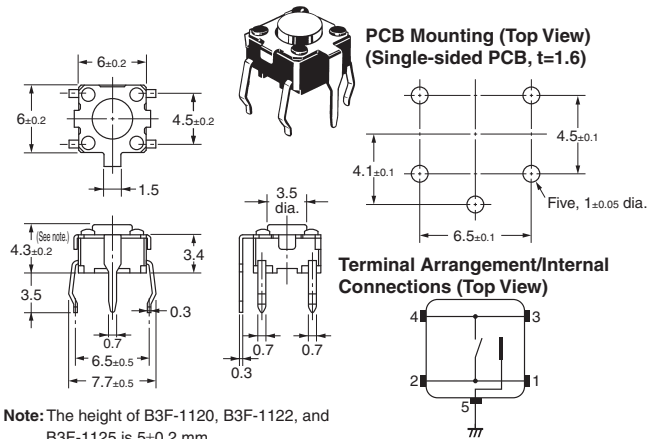
B3F-1000, B3F-1002, B3F-1005, B3F-1006
 B3F-1020 (See note.), B3F-1022 (See note.),
 B3F-1025 (See note.), B3F-1026 (See note.)
 B3F-1002-G, B3F-1022-G (See note.)



Note: The height of B3F-1020, B3F-1022, B3F-1025, and B3F-1026 is 5 ± 0.2 mm.

Standard, Flat Plunger Type (with Ground Terminal, Pitch: 6.5 mm)

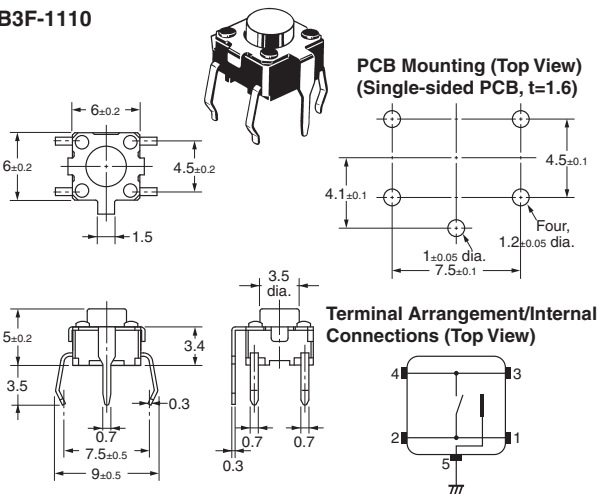
B3F-1100, B3F-1102, B3F-1105
 B3F-1120 (See note.), B3F-1122 (See note.)
 B3F-1125 (See note.)
 B3F-1102-G, B3F-1122-G (See note.)



Note: The height of B3F-1120, B3F-1122, and B3F-1125 is 5 ± 0.2 mm.

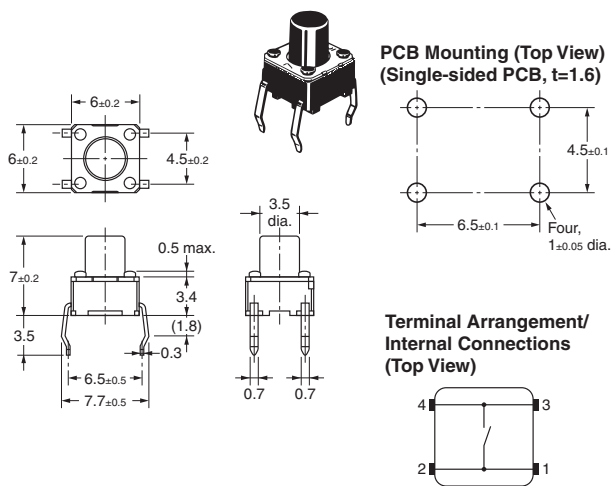
Standard, Flat Plunger Type (with Ground Terminal, Pitch: 7.5 mm)

B3F-1110



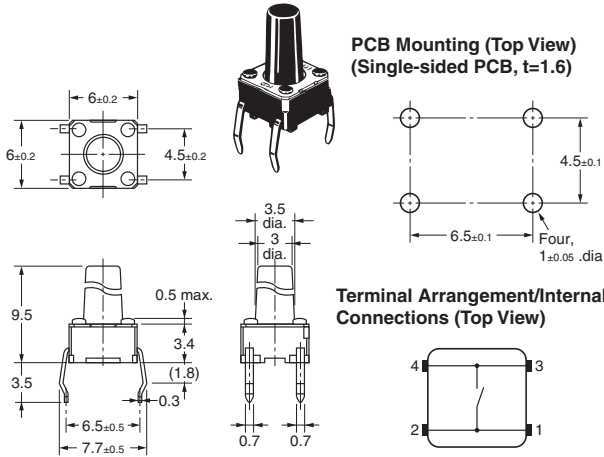
Standard, Flat Plunger Type (without Ground Terminal)

B3F-1060, B3F-1062, B3F-1062-G



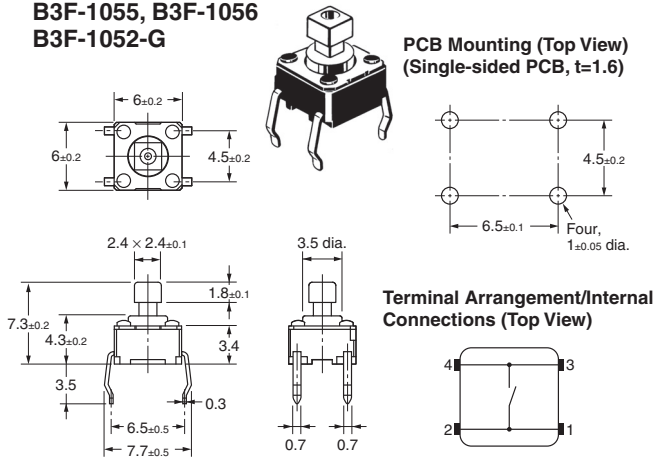
**Standard, Flat Plunger Type
(without Ground Terminal)**

B3F-1070, B3F-1072, B3F-1075, B3F-1072-G



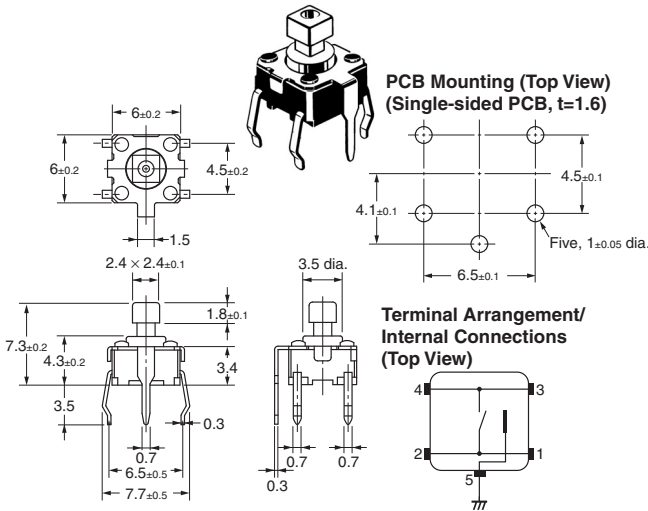
**Standard, Projected Plunger Type
(without Ground Terminal)**

**B3F-1050, B3F-1052
B3F-1055, B3F-1056
B3F-1052-G**



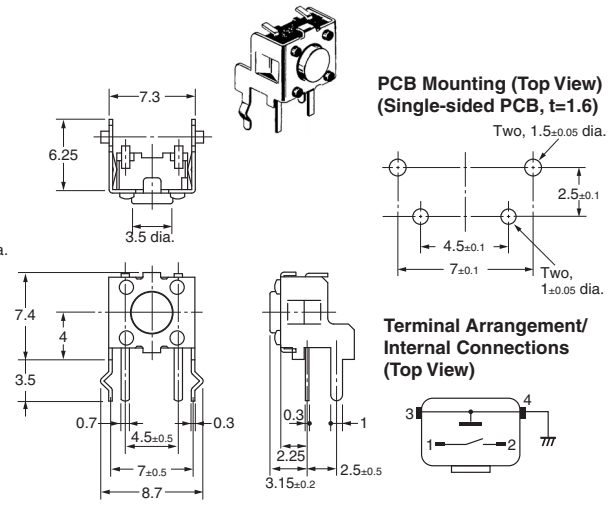
**Standard, Projected Plunger Type
(with Ground Terminal)**

B3F-1150, B3F-1152, B3F-1155



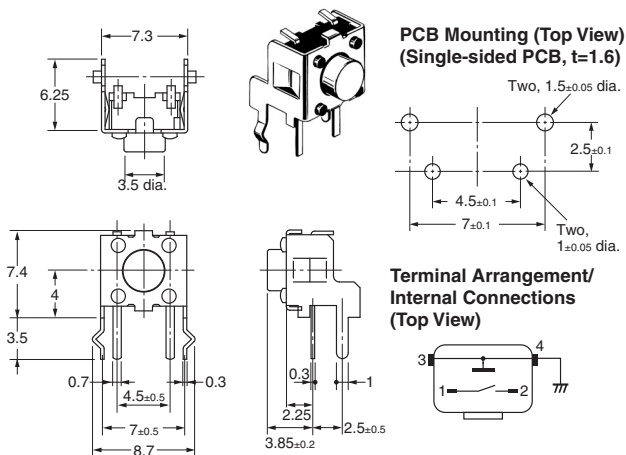
Side-operated, Flat Plunger Type

B3F-3100, B3F-3102, B3F-3105



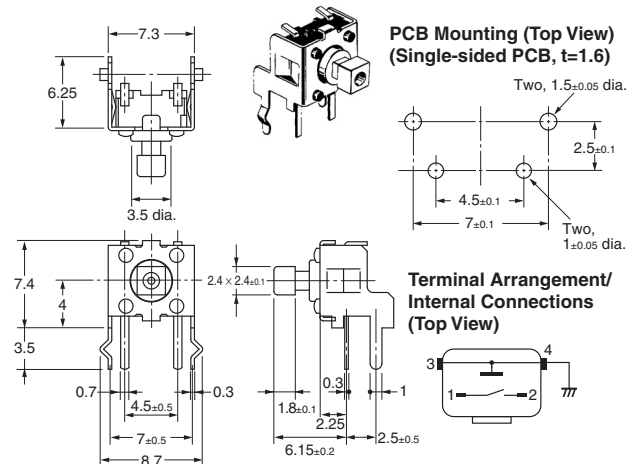
Side-operated, Flat Plunger Type (Height: 3.85 mm)

B3F-3120, B3F-3122, B3F-3125, B3F-3122-G



Side-operated, Projected Plunger Type

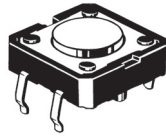
B3F-3150, B3F-3152, B3F-3155



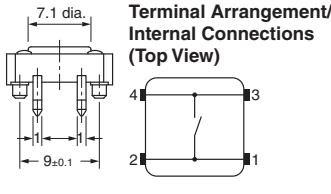
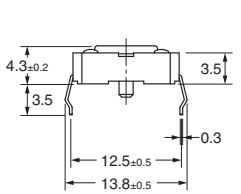
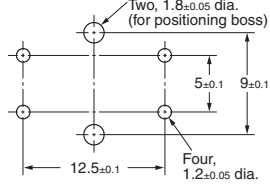
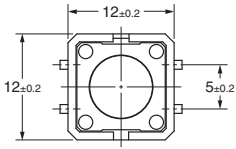
12 × 12 mm Models

Standard, Long-durability, and High-reliability Models Flat Plunger Type (without Ground Terminal)

B3F-4000, B3F-4005, B3F-5000, B3F-5001

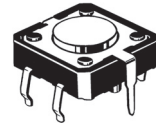


PCB Mounting (Top View) (Single-sided PCB, t=1.6)

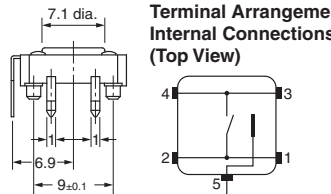
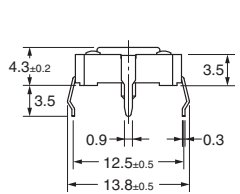
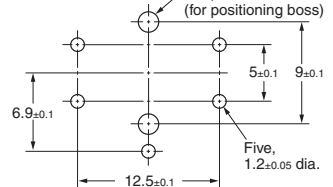
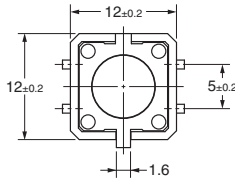


Standard, Long-durability, and High-reliability Models Flat Plunger Type (with Ground Terminal)

B3F-4100, B3F-4105, B3F-5100, B3F-5101

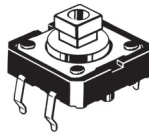


PCB Mounting (Top View) (Single-sided PCB, t=1.6)

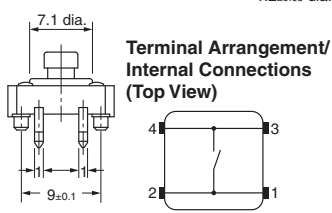
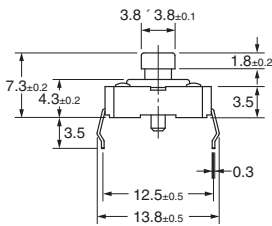
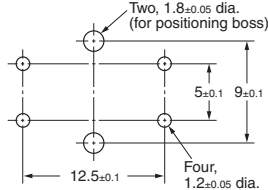
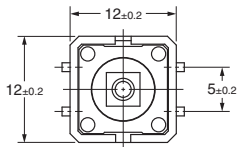


Standard, Long-durability, and High-reliability Models Projected Plunger Type (without Ground Terminal)

B3F-4050, B3F-4055, B3F-5050, B3F-5051

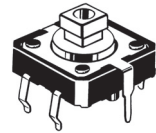


PCB Mounting (Top View) (Single-sided PCB, t=1.6)

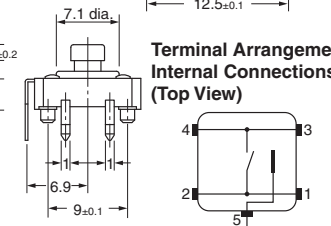
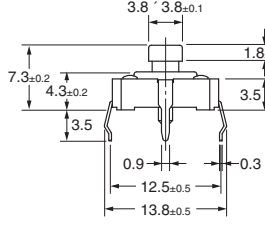
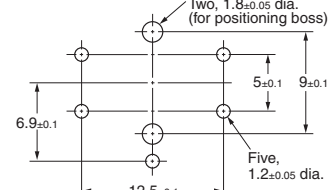
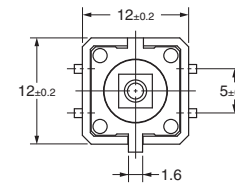


Standard, Long-durability, and High-reliability Models Projected Plunger Type (with Ground Terminal)

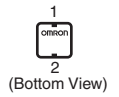
B3F-4150, B3F-4155, B3F-5150, B3F-5151



PCB Mounting (Top View) (Single-sided PCB, t=1.6)

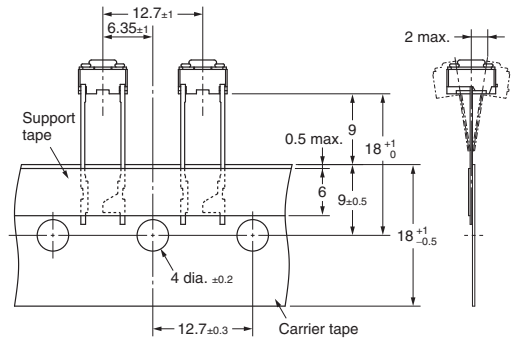
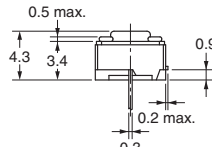
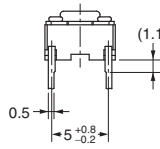
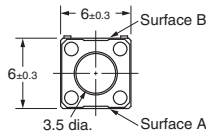
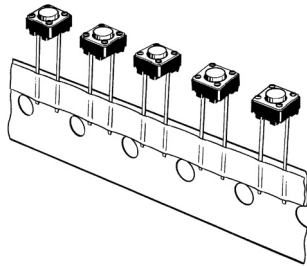


Note: The numbers used for terminals in the following graphics are indicated in the "Bottom View" diagram below. In this diagram, the Switch is rotated so that the terminals are on the right and left-hand sides, and the OMRON logo appears the right way up.



6 mm × 6 mm Radial Types (Taping Specifications): Sold in Units of 1,000 Switches

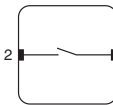
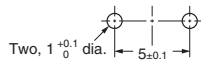
**Flat Plunger Type
(without Ground Terminal)
B3F-6000, B3F-6002**



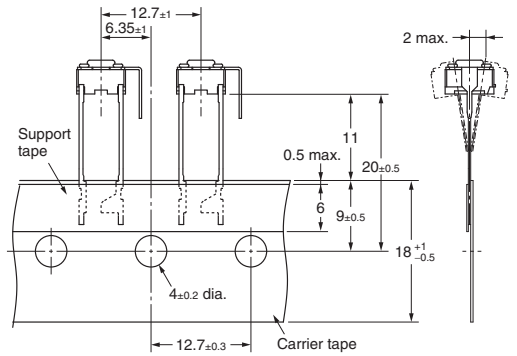
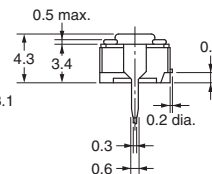
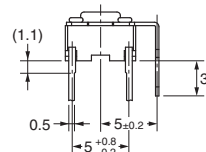
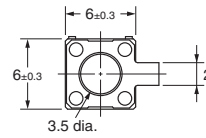
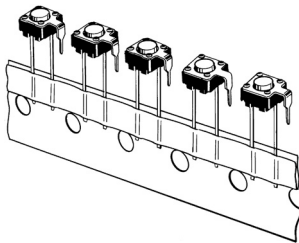
Note: The tape is random between surface A and surface B.

**PCB Mounting
(Top View)
(Single-sided PCB, t=1.6)**

**Terminal Arrangement
/Internal Connections
(Top View)**

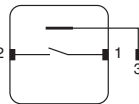
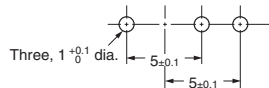


**Flat Plunger Type
(with Ground Terminal)
B3F-6100, B3F-6102**

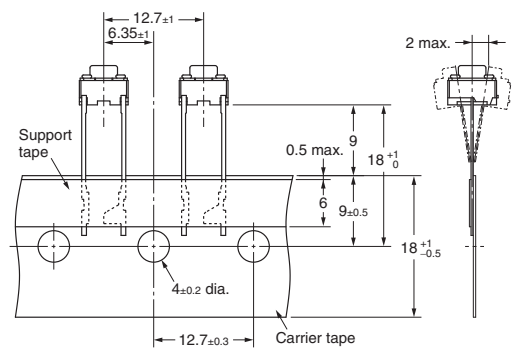
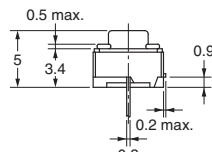
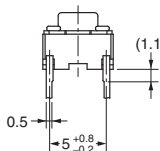
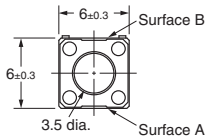
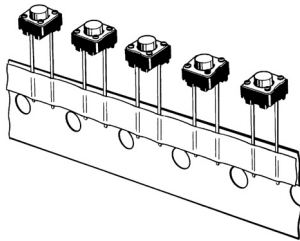


**PCB Mounting
(Top View)
(Single-sided PCB, t=1.6)**

**Terminal Arrangement
/Internal Connections
(Top View)**



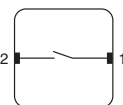
**Flat Plunger Type
(without Ground Terminal)
B3F-6020, B3F-6022**



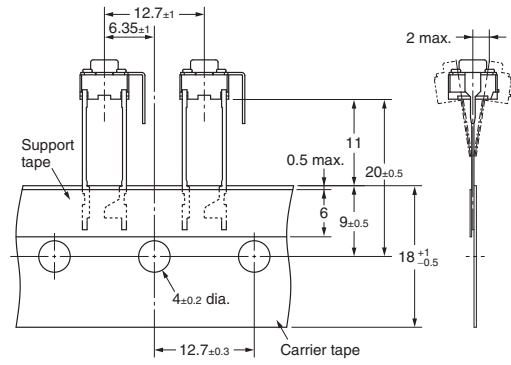
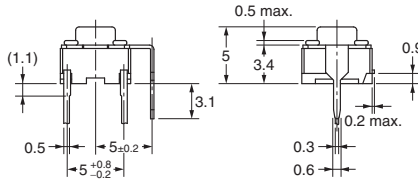
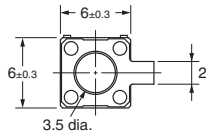
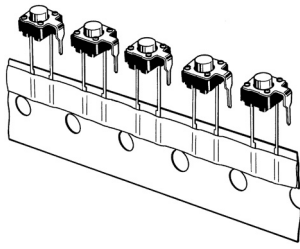
Note: The tape is random between surface A and surface B.

**PCB Mounting
(Top View)
(Single-sided PCB, t=1.6)**

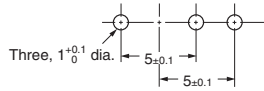
**Terminal Arrangement
/Internal Connections
(Top View)**



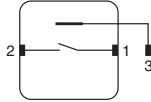
**Flat Plunger Type
(with Ground Terminal)**
B3F-6120, B3F-6122



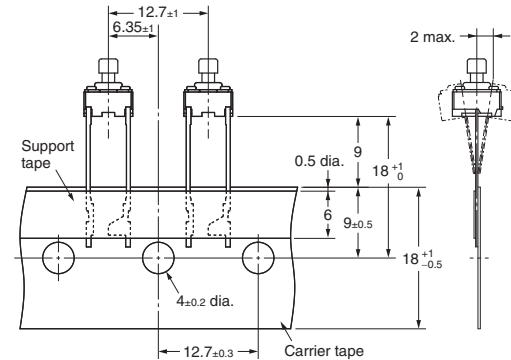
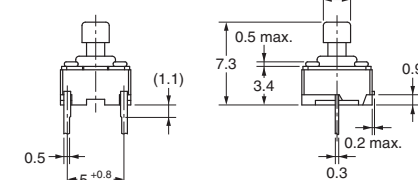
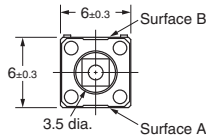
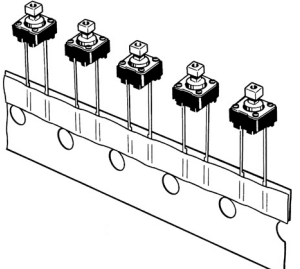
**PCB Mounting
(Top View)**
(Single-sided PCB, t=1.6)



**Terminal Arrangement
/Internal Connections
(Top View)**



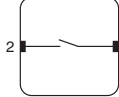
**Projected Plunger Type
(without Ground Terminal)**
B3F-6050, B3F-6052



**PCB Mounting
(Top View)**
(Single-sided PCB, t=1.6)

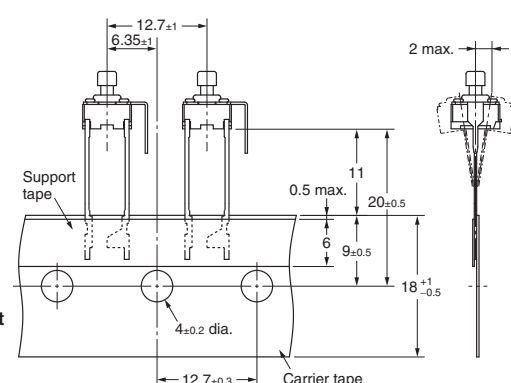
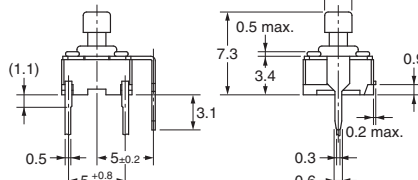
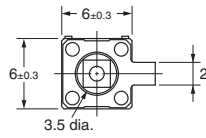
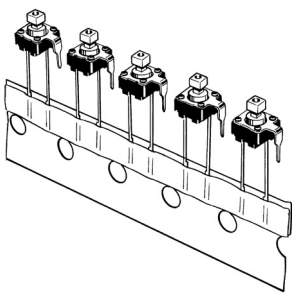


**Terminal Arrangement
/Internal Connections
(Top View)**

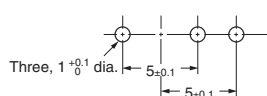


Note: The tape is random between surface A and surface B.

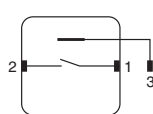
**Projected Plunger Type
(with Ground Terminal)**
B3F-6150, B3F-6152



**PCB Mounting
(Top View)**
(Single-sided PCB, t=1.6)



**Terminal Arrangement
/Internal Connections
(Top View)**



Key Tops

B32-series Special Key Tops are available for projected plunger models. Refer to the Datasheet of B32 for details.

Precautions

Be sure to read the safety precautions common to all Tactile Switches for correct use.

ALL DIMENSIONS SHOWN ARE IN MILLIMETERS.

To convert millimeters into inches, multiply by 0.03937. To convert grams into ounces, multiply by 0.03527.