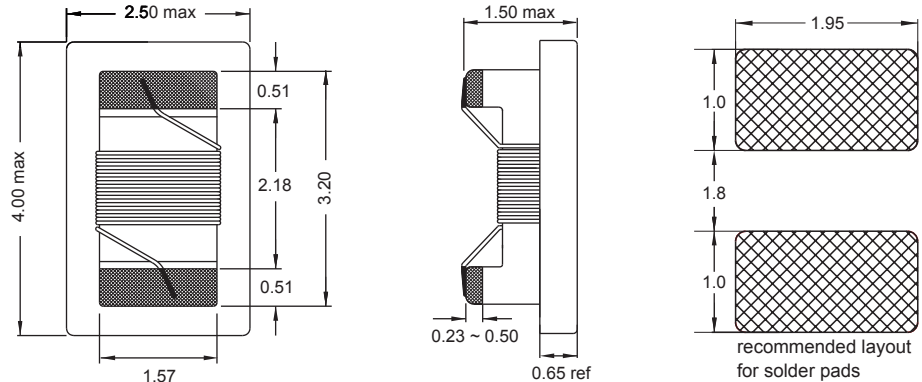
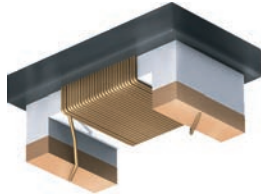
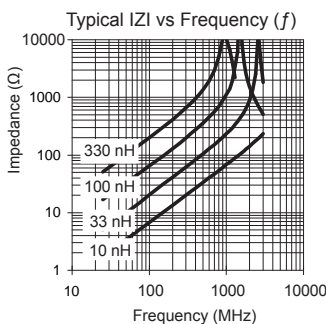
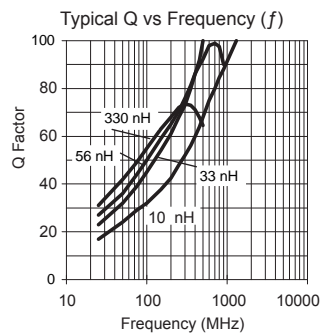
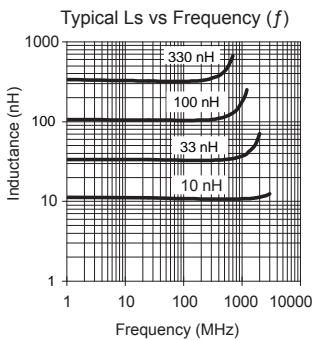
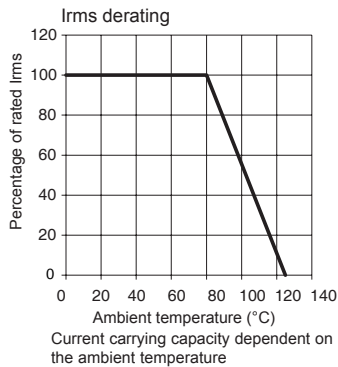


# 1206 AS

Engineer's Kit : EK-1206AS-X



Chip Inductors for RF Applications (Wire wound -open)



Single layer (typ)

| Part No          | Inductance | f <sub>L</sub> | Tol   | Q   | f <sub>α</sub> | SRF      | DCR     | Rated DC         |
|------------------|------------|----------------|-------|-----|----------------|----------|---------|------------------|
|                  | L (nH)     | (MHz)          | ± (%) | min | (MHz)          | (MHz)    | max (Ω) | Current max (mA) |
| 1206AS-3N3M-YY   | 3.3        | 100            | 20    | 30  | 300            | 6000 min | 0.05    | 1000             |
| 1206AS-6N8K-YY   | 6.8        | 100            | 10    | 37  | 300            | 5500 min | 0.07    | 1000             |
| 1206AS-010J-YY   | 10         | 100            | 5     | 40  | 300            | 4000 min | 0.08    | 1000             |
| 1206AS-012J-YY   | 12         | 100            | 5     | 51  | 300            | 3200 min | 0.08    | 1000             |
| 1206AS-015J-YY   | 15         | 100            | 5     | 51  | 300            | 3200 min | 0.10    | 1000             |
| 1206AS-018J-YY   | 18         | 100            | 5     | 51  | 300            | 2800 min | 0.10    | 1000             |
| 1206AS-022J-YY   | 22         | 100            | 5     | 52  | 300            | 2200 min | 0.10    | 1000             |
| 1206AS-027J-YY   | 27         | 100            | 5     | 52  | 300            | 1800 min | 0.11    | 1000             |
| 1206AS-033J-YY   | 33         | 100            | 5     | 56  | 300            | 1800 min | 0.11    | 1000             |
| 1206AS-039J-YY   | 39         | 100            | 5     | 64  | 300            | 1800 min | 0.12    | 1000             |
| 1206AS-047J-YY   | 47         | 100            | 5     | 64  | 300            | 1500 min | 0.13    | 1000             |
| 1206AS-056J-YY   | 56         | 100            | 5     | 64  | 300            | 1450 min | 0.14    | 1000             |
| 1206AS-068J-YY   | 68         | 100            | 5     | 61  | 300            | 1200 min | 0.26    | 900              |
| 1206AS-082J-YY   | 82         | 100            | 5     | 66  | 300            | 1200 min | 0.21    | 900              |
| 1206AS-R10J-YY   | 100        | 100            | 5     | 55  | 300            | 1100 min | 0.26    | 850              |
| 1206AS-R12J-YY   | 120        | 100            | 5     | 75  | 300            | 1100 min | 0.26    | 800              |
| 1206AS-R13J-YY   | 130        | 100            | 5     | 75  | 300            | 950 min  | 0.31    | 750              |
| 1206AS-R15J-YY   | 150        | 100            | 5     | 65  | 300            | 950 min  | 0.31    | 750              |
| 1206AS-R18J-YY   | 180        | 50             | 5     | 75  | 300            | 900 min  | 0.43    | 700              |
| 1206AS-R21J-YY   | 210        | 50             | 5     | 75  | 300            | 760 min  | 0.50    | 670              |
| 1206AS-R22J-YY   | 220        | 50             | 5     | 75  | 300            | 760 min  | 0.50    | 670              |
| 1206AS-R27J-YY   | 270        | 50             | 5     | 57  | 300            | 730 min  | 0.56    | 630              |
| 1206AS-R29J-YY   | 290        | 50             | 5     | 57  | 150            | 650 min  | 0.62    | 590              |
| 1206AS-R33J-YY   | 330        | 50             | 5     | 55  | 150            | 650 min  | 0.62    | 590              |
| 1206AS-R39J-YY   | 390        | 50             | 5     | 55  | 150            | 600 min  | 0.75    | 530              |
| 1206AS-R47J-YY   | 470        | 50             | 5     | 52  | 150            | 550 min  | 1.30    | 490              |
| * 1206AS-R50K-YY | 500        | 50             | 10    | 45  | 150            | 470 typ  | 1.30    | 460              |
| * 1206AS-R56K-YY | 560        | 50             | 10    | 45  | 150            | 470 typ  | 1.34    | 460              |
| * 1206AS-R68K-YY | 680        | 35             | 10    | 45  | 150            | 450 typ  | 1.58    | 430              |
| 1206AS-R82K-YY   | 820        | 35             | 10    | 45  | 150            | 420 typ  | 1.82    | 400              |
| * 1206AS-R91K-YY | 910        | 35             | 10    | 45  | 150            | 416 typ  | 1.87    | 300              |
| 1206AS-1R0K-YY   | 1000       | 35             | 10    | 45  | 150            | 400 typ  | 2.80    | 320              |
| * 1206AS-1R2K-YY | 1200       | 35             | 10    | 45  | 150            | 380 typ  | 3.20    | 300              |
| * 1206AS-2R2K-YY | 2200       | 35             | 10    | 32  | 150            | 160 typ  | 4.50    | 280              |
| * 1206AS-2R7X-YY | 2700       | 35             | 10    | 25  | 50             | 160 typ  | 5.50    | 145              |
| * 1206AS-3R3K-YY | 3300       | 35             | 10    | 20  | 50             | 140 typ  | 6.50    | 130              |
| * 1206AS-4R7K-YY | 4700       | 35             | 10    | 20  | 50             | 120 typ  | 7.20    | 120              |

Material : Ceramic

Revision date : 18 Dec 2013

SPQ : Reel 2000 [-01]  
7500 [-04]

Remarks: - For not listed inductance values please check availability with us.  
- 2% and 5% tolerance available on request.  
- All are AEC-Q200 Standard approved EXCEPT \*.