

# WP20CS-08-60F1

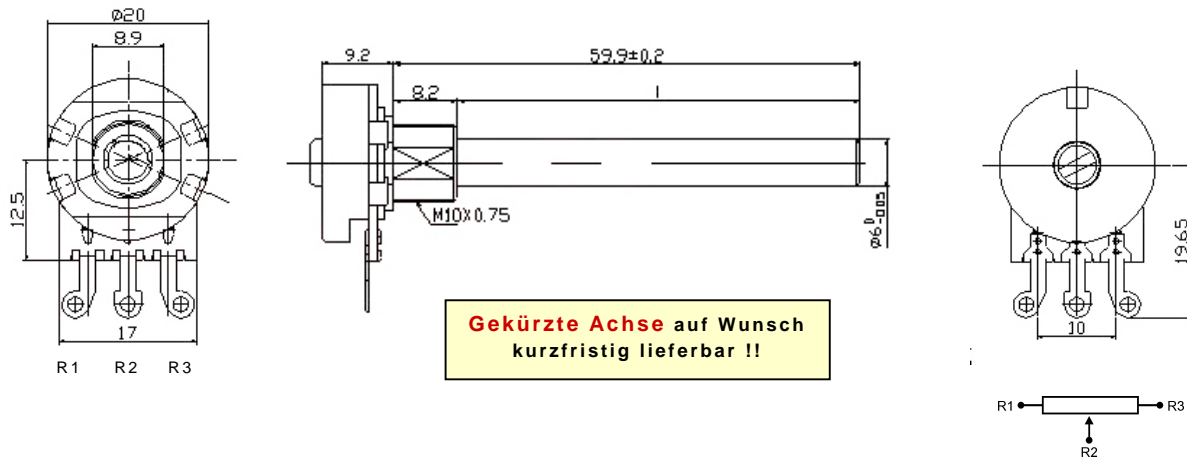
Rotary Potentiometer 20mm Singles  
Carbon / Without Switch / Rotation Angle: 300°

## CHARACTERISTICS

| MECHANICAL CHARACTERISTICS     |  |                               |
|--------------------------------|--|-------------------------------|
| Rotation Angle                 |  | 300° ±5°                      |
| Operation Torque               |  | 1.4 ~ 2.5 Ncm (Strong Torque) |
| Permissible Torque At End Stop |  | 80 Ncm max                    |
| Mechanical Life                |  | 10.000 cycles                 |

| ELECTRICAL CHARACTERISTICS |  |   |
|----------------------------|--|---|
| Temperature Range          |  | -10°C ~ +70°C   |
| Rated Power                |  | 0.4W lin / 0.2W non lin   |
| Max. Operation Voltage     |  | 200VDC lin / 150VDC non lin   |
| Resistance Range           |  | 100Ω to 5MΩ (lin) / 1KΩ to 2.2MΩ (non lin)  |
| Resistance Tolerance       |  | ±20% (≥1MΩ= ±30%) / ±10% upon request   |
| Resistance Law             |  | LIN (linear) – marking code „B“ (e.g. B10K)<br>LOG (pos log) – marking code „A“ (e.g. A10K) |
| Residual Resistance        |  | 10KΩ ≥ R = 10Ω max / 250KΩ > R > 10KΩ = 20Ω max<br>R ≥ 250KΩ = 0.1%R max                    |
| Insulation Resistance      |  | ≥ 100MΩ at 500VDC   |
| Electrical Life            |  | 10.000 cycles (10~17 times/minute)  |
| Soldering                  |  | T ≤ 260°C t ≤ 3s  |

## OUTLINE DRAWING (Unit = mm)



| MATERIALS & HOW TO ORDER |   |
|--------------------------|---|
| Housing                  | Metal   |
| Bush                     | Metal / M10x0.75mm / Length: ~8mm / Type C          |
| Spindle                  | Plastic / Diameter = 6mm / Length = ~50mm / Type F1 |
| <b>Ordering example</b>  | <b>WP20CS-08-60F1-10K-20%-LIN</b>                   |

Ordering example for version with individual spindle length:  
**WP20CS-08-25F1-10K-20%-LIN** (for spindle length 25mm) or  
**WP20CS-08-15F1-10K-20%-LIN** (for spindle length 15mm) ...

Passende Mutter und Beilagscheibe sind im Lieferumfang enthalten.



# WP20CS-08-60F1

Rotary Potentiometer 20mm Singles  
Carbon / Without Switch / Rotation Angle: 300°



## Standard Resistance Values / Law

### Series E3

|      |      |      |
|------|------|------|
| 100R | 220R | 470R |
| 1K0  | 2K2  | 4K7  |
| 10K  | 22K  | 47K  |
| 100K | 220K | 470K |
| 1M0  | 2M2  | 4M7  |

### Resistance Law

