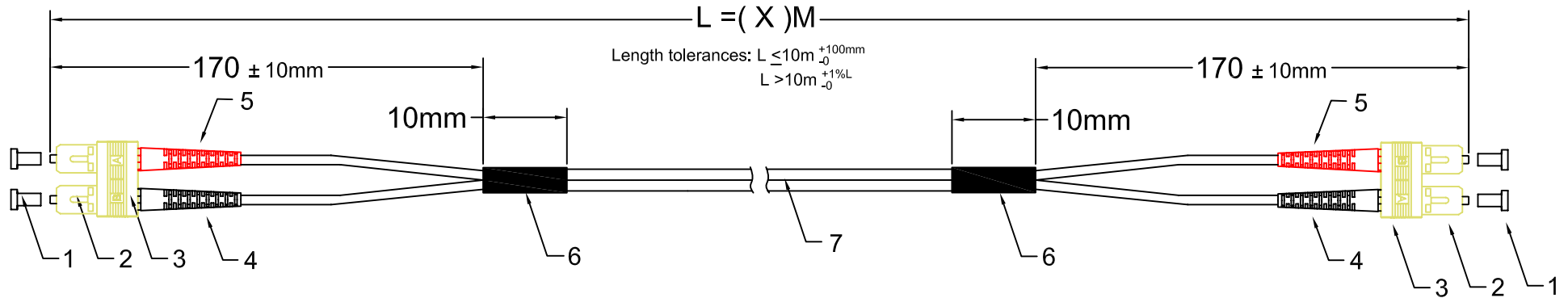


SC - SC Duplex Jumper, I-V(ZN)H 02G 50/125 μ OM3, LSZH Aqua Jacket, x meter



Specifications:

1. Insertion Loss: < 0.3dB @850nm
2. End surface test is according to OP-03-05001
3. Test standard: GR-326-CORE
4. Test report has to match the serial No.
5. RoHS compliant
6. Fiber cable according to IEC 60793-2
7. SC connector according to IEC 61754-4

**RoHS
compliant**

7	Ø3.0mm MM duplex OM3 50/125 μ LSZH Aqua cable	
6	Heat shrink tube, black	2
5	SC 3.0 boot, red	2
4	SC 3.0 boot, black	2
3	SC clip, beige	2
2	SC MM 3.0 connector, Beige	4
1	Dust cover	4
Item	Description	Qty

E F B
ELEKTRONIK

E F B

SC - SC Duplex Jumper, I-V(ZN)H 02G 50/125 OM3, LSZH Aqua Jacket,
x meter

Part No: O7413.X

Drawing No:

Page :1 of 3

Indoor Cable Series (Duplex)

1. Characteristics

- . Aramid yarn strength member ensures tension resistance and long term stability in transmission
- . Figure 8 structure jacket facilitate embranchment
- . Small outer diameter, lightweight
- . Flame-retardant jacket, halogenfree
- . Low attenuation

2.Applications

- .Installation in conduits and shafts
- .Indoor distribution
- .Jumper and adapter cable
- .Connecting workstations inside buildings(FTTD)

3.Temperature Range

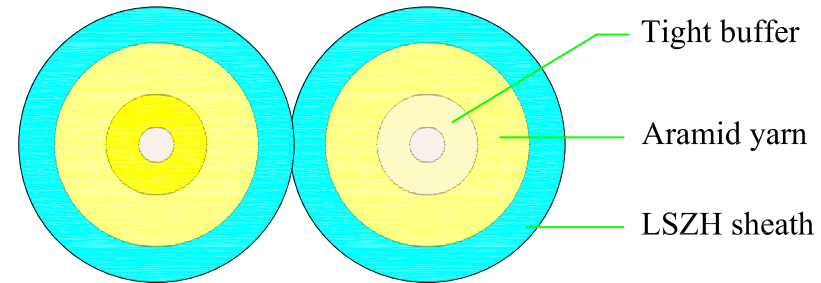
-20°C up to +70°C

4.Fiber Optic Cable Performance

- .Number of fibers: 2
- .Outer diameter: 2.8x5.7 mm
- .Nominal weight: 13.2 kg / km
- .Max. tension: 300 N (short - term)
160 N (long - term)
- .Min. Bending Radius: 20 H (Dynamic)
10 H (Static)
- .Max . Crush Resistance (N/100 mm²):1000
- .Complies with TIA/EIA-568 B.3 & Bellcore GR-409-CORE & OFNR-UL/CSA FT-4
- .Maximum Attenuation: ≤ 2.3dB @850nm
≤ 0.6dB @1300nm
- .OFL Bandwidth: ≥1500MHz-km@850nm
≥500MHz-km@1300nm
- .10 Gigabit Ethernet SX: 300m@850nm

5.Cable Specification

- .Fiber type: Multimode 50/125μ m OM3
- .Aqua jacket , LSZH



**RoHS
compliant**

E F B
ELEKTRONIK

E F B

SC - SC Duplex Jumper, I-V(ZN)H 02G 50/125 OM3, LSZH Aqua Jacket,
x meter

Part No: O7413.X

Drawing No:

Page :3 of 3