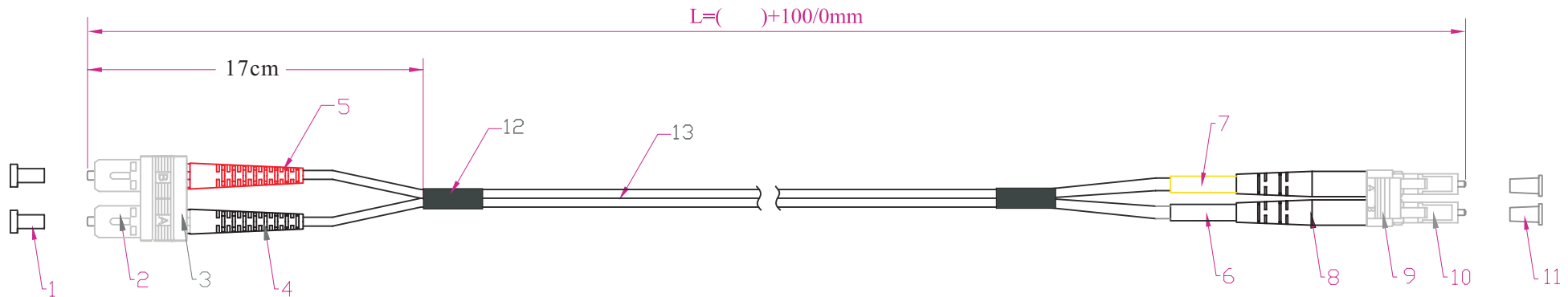


MM SC/PC to LC/PC OM3 50/125µm Duplex Patchcord 2.0 mm LSZH Jacket, Aqua



Notes:

1. Insertion Loss: ≤ 0.3dB @850nm
2. End surface test is. acc. to OP-03-05001
3. Test standard: GR-326-CORE
4. Test report has to match the serial No.
5. RoHS compliant
6. Fiber cable according to IEC 60793-2
7. LC connector acc. to IEC 61754-20
8. SC connector acc. to IEC 61754-4

RoHS
compliant

13	Ø 2.0mm MM OM3 50/125µm duplex cable, Aqua	
12	Heat shrink tube, black	2 pcs
11	LC dust cover	2 pcs
10	LC MM 2.0 connector, Beige	2 pcs
9	LC duplex clip	1 pc
8	LC 3.0 boot, white	2 pcs
7	LC heat shrink tube, yellow	1 pc
6	LC heat shrink tube, white	1 pc
5	SC 2.0 boot, red	1 pc
4	SC 2.0 boot, black	1 pc
3	SC duplex clip, Beige	1 pc
2	SC 2.0 MM connector, Beige	2 pcs
1	SC dust cover	2 pcs
Item	Description	Qty



EFB

DESCRIPTIONS : MM SC/PC to LC/PC OM3 50/125µm Duplex Patchcord 2.0 mm LSZH Jacket, Aqua

Part No.: O0314.X

Drawing No.:

Page : 1 of 3

Indoor Cable Series (Duplex)

1.Characteristics

- High strength aramid yarn strength member ensures tension-resistance and long term stability in transmission.
- Small outer diameter,lightweight,flame-retardant,easy to strip, low attenuation, physically soft.
- Direct Interconnect tight buffer cables and need no tie-in box or pigtail.
- Suitable for construction operation,and convenient for maintenance.

2.Applications

Building to building interconnection;indoor distribution;pigtail of the instrument-type communication equipment, as the moveable connect line for patch cords and connectors

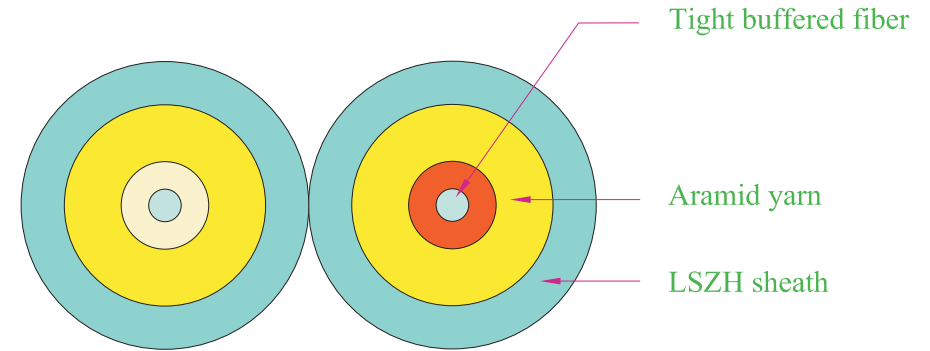
3.Temperature range:-20°C~+70°C

4. Fiber Optic Cable Performance Properties

- Fiber Count:2
- Outer Diameter, D*H(mm): 2.0*4.1
- Nominal weight(kg/km): 8.2
- Max.Tension Short-term:300
Long-term:160
- Min.Bending Radius(mm) Install:20H
Static:10H
- Max.Crush Resistance(N/100mm²):1000
- Comply with TIA/EIA-586 B.3&Bellcore GR-409-CORE&OFNR-UL/CSA FT-4
- Maximum Attenuation: ≤ 2.5dB @ 850 nm
≤ 0.7dB @1300nm

5. Cable Specification

- Fiber color: Aqua
- Outer & 900um Jacket:LSZH



RoHS
compliant



EFB

DESCRIPTIONS : MM SC/PC to LC/PC OM3 50/125µm Duplex Patchcord 2.0 mm LSZH Jacket, Aqua

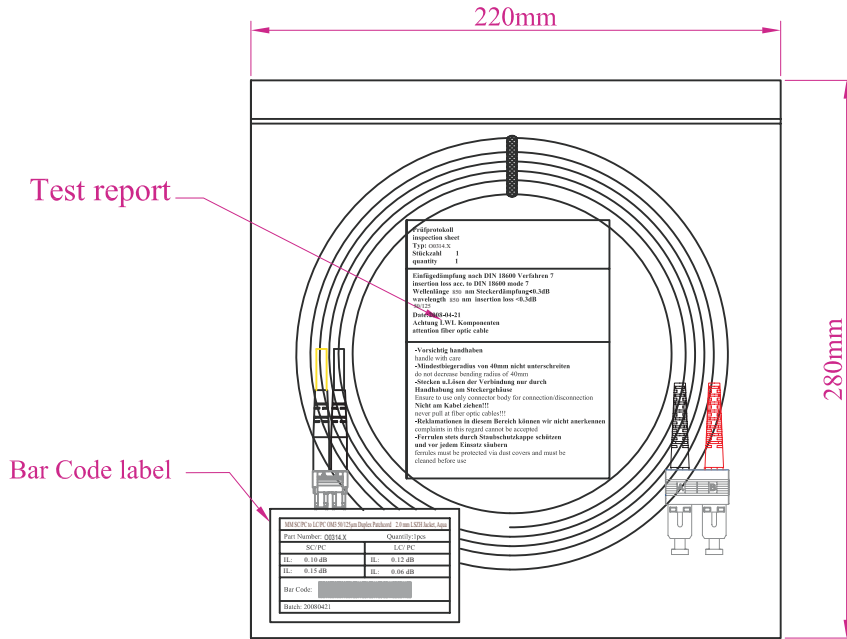
Part No.: O0314.X

Drawing No.:

Page : 2 of 3

Packing

The corresponding label data for each cable assembly shall be glued to the package



#9 Bag

Prüfprotokoll inspection sheet Typ: O0314.X Stückzahl 1 quantity 1
Einfügedämpfung nach DIN 18600 Verfahren 7 insertion loss acc. to DIN 18600 mode 7 Wellenlänge 850 nm Steckerdämpfung<0.3dB wavelength 850 nm insertion loss <0.3dB 50/125 Date:2008-04-21 Achtung LWL Komponenten attention fiber optic cable
-Vorsichtig handhaben handle with care -Mindestbiegeradius von 40mm nicht unterschreiten do not decrease bending radius of 40mm -Stecken u.Lösen der Verbindung nur durch Handhabung am Steckergehäuse Ensure to use only connector body for connection/disconnection Nicht am Kabel ziehen!!! never pull at fiber optic cables!!! -Reklamationen in diesem Bereich können wir nicht anerkennen complaints in this regard cannot be accepted -Ferrulen stets durch Staubschutzkappe schützen and vor jedem Einsatz säubern ferrules must be protected via dust covers and must be cleaned before use

Test report

MM SC/PC to LC/PC OM3 50/125µm Duplex Patchcord 2.0 mm LSZH Jacket, Aqua	
Part Number: O0314.X	Quantity:1pcs
SC/PC	LC/ PC
IL: 0.10 dB	IL: 0.12 dB
IL: 0.15 dB	IL: 0.06 dB
Bar Code:	
Batch: 20080421	

Bar Code label(100mm x 60mm)

RoHS compliant

	EFB
DESCRIPTIONS : MM SC/PC to LC/PC OM3 50/125µm Duplex Patchcord 2.0 mm LSZH Jacket, Aqua	
Part No.: O0314.X	
Drawing No.:	Page : 3 of 3