

Socket strip - SKBD 20/MT-FLRP - 2202505

Please be informed that the data shown in this PDF Document is generated from our Online Catalog. Please find the complete data in the user's documentation. Our General Terms of Use for Downloads are valid (<http://download.phoenixcontact.com>)



Plug component, Number of positions: 20, Pitch: 5 mm, Contact surface: Tin

Key commercial data

package_quantity	10
GTIN	4017918053277

Technical data

Dimensions

Pitch	5 mm
--------------	------

General

Range of articles	SKBD
Nominal cross section	2.5 mm ²
Stripping length	8 mm
Screw thread	M3
Tightening torque, min	0.5 Nm
Tightening torque max	0.6 Nm
Number of positions	20

classifications

eCl@ss

eCl@ss 4.0	272607xx
eCl@ss 4.1	27260701
eCl@ss 5.0	27260701
eCl@ss 5.1	27260701
eCl@ss 6.0	27260710
eCl@ss 7.0	27141152
eCl@ss 8.0	27141152

ETIM

ETIM 3.0	EC000446
ETIM 4.0	EC002642
ETIM 5.0	EC002642

Socket strip - SKBD 20/MT-FLRP - 2202505

classifications

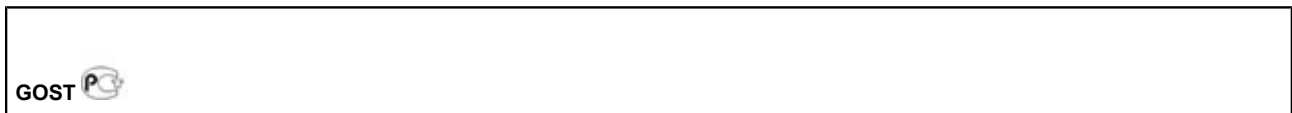
UNSPSC

UNSPSC 6.01	30211810
UNSPSC 7.0901	39121409
UNSPSC 11	39121409
UNSPSC 12.01	39121409
UNSPSC 13.2	39121409

approvals

GOST /

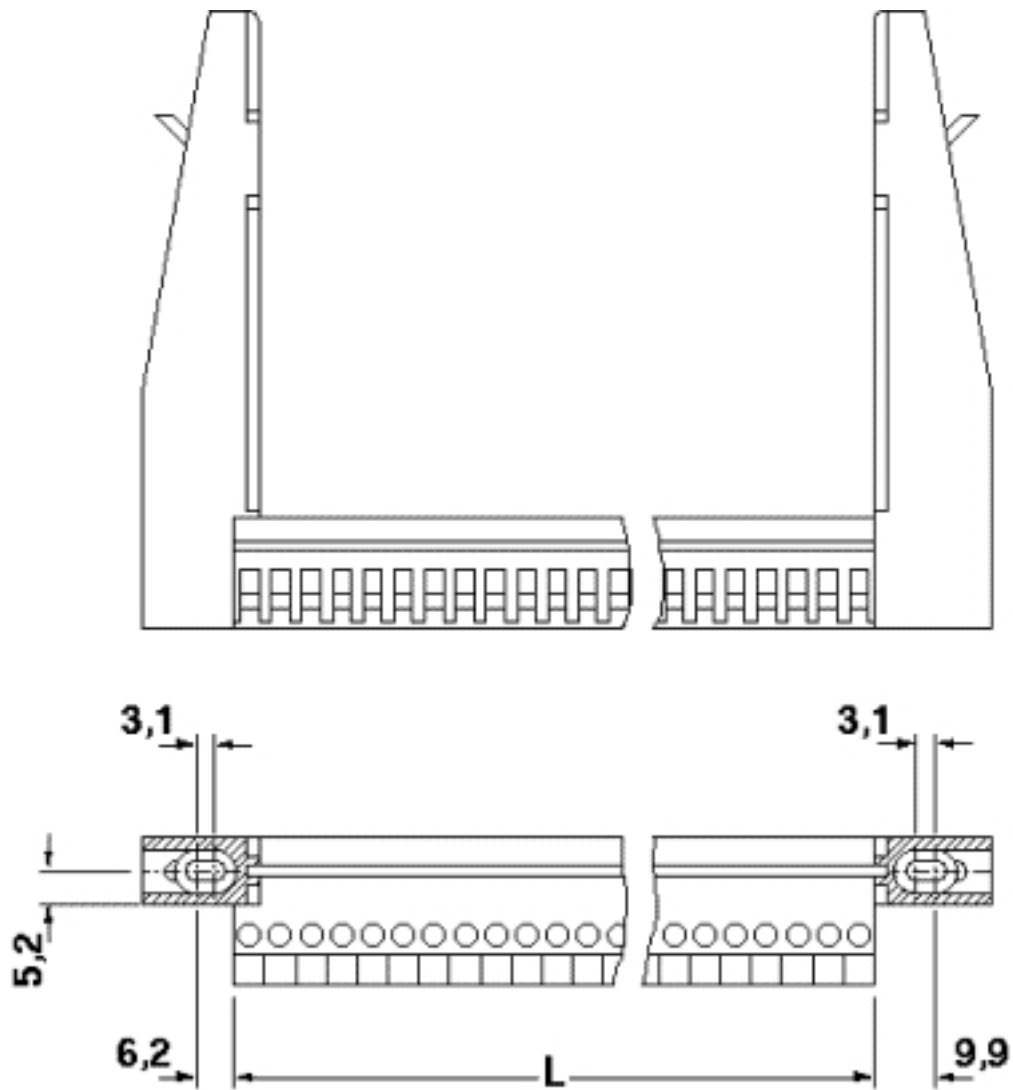
Approval details



Drawings

Socket strip - SKBD 20/MT-FLRP - 2202505

Dimensioned drawing



© Phoenix Contact 2013 - all rights reserved
<http://www.phoenixcontact.com>