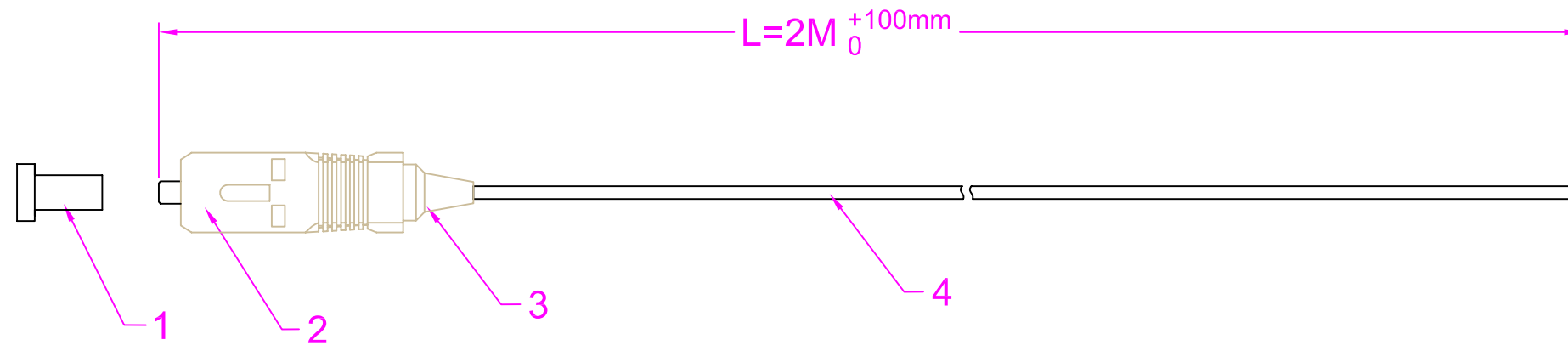


# Pigtail set SC/PC OM3 50/125μ, 12 Different Colours , 2M

Blue, Orange, Green, Brown, Slate, White, Red, Black, Yellow, Violet, Rose, Aqua

( 900μ m and 250μ m are same Color )



**Characteristics:**

- 1. Insertion Loss: < 0.3dB @850nm
- 2. End surface test is according to OP-03-05001
- 3. Test standard: GR-326-CORE
- 4. Test report has to match the serial-no
- 5. RoHS compliant
- 6. Fiber cable according to IEC 60793-2
- 7. SC Connector according to IEC 61754-4

RoHS  
Compliant

4	Ø0.9mm MM 50/125μm OM3 12 Different Colours Jacket Cable		
3	SC 0.9mm Boot,Beige	1	PCS
2	SC/PC Connector,Beige	1	PCS
1	SC Dust Cover	1	PCS
No.	Description	Q'TY	Unit



# E F B

Pigtail set SC/PC OM3 50/125μ, 12 Different Colours , 2M

Part No.: O3325.2

Drawing No.:

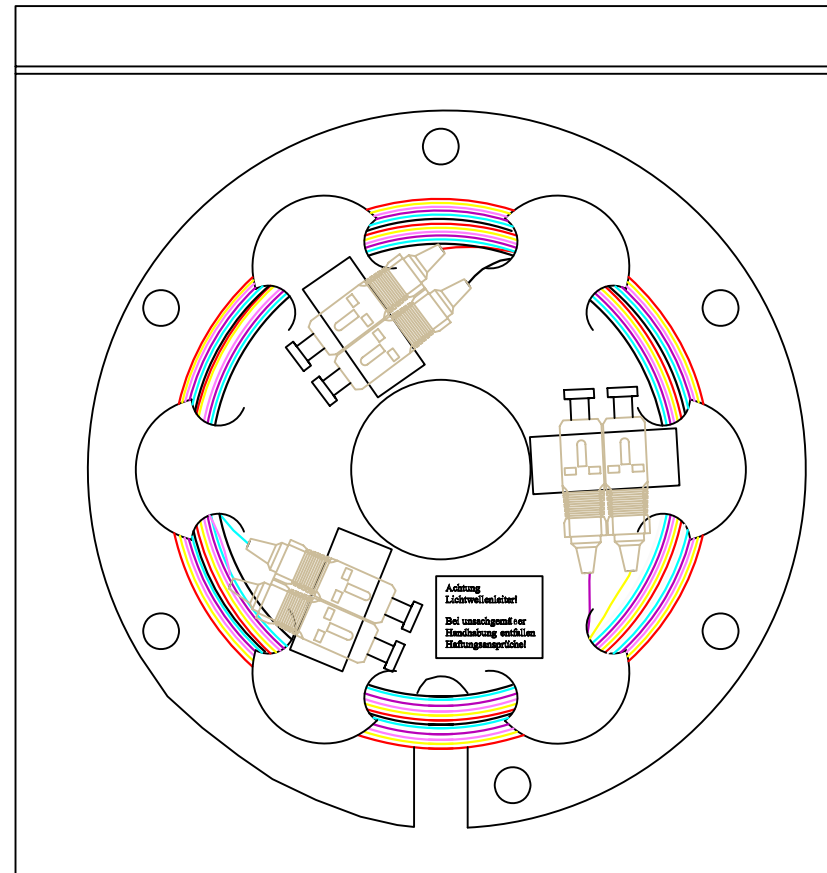
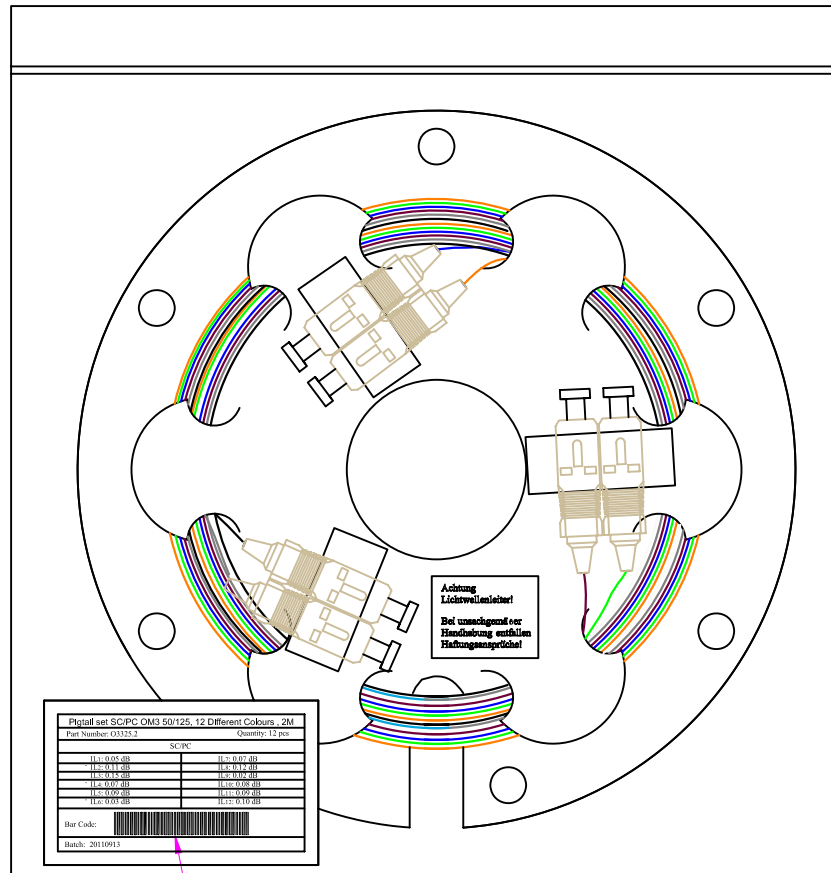
Page : 1 of 3

# Packing

The corresponding label data for each cable assembly shall be glued to the package

Front

Back



<b>Prüfprotokoll</b> inspection sheet Typ: O3325.2 Stückzahl 12 quantity 12
<b>Einfügedämpfung nach DIN 18600 Verfahren 7</b> insertion loss acc. to DIN 18600 mode 7 <b>Wellenlänge 850 nm Steckerdämpfung &lt;0.3dB</b> wavelength 850 nm insertion loss <0.3dB 50/125 Date: 2011-09-13 <b>Achtung LWL Komponenten</b> attention fiber optic cable
<b>-Vorsichtig handhaben</b> handle with care <b>-Mindestbiegeradius von 40mm nicht unterschreiten</b> do not decrease bending radius of 40mm <b>-Stecken u.Lösen der Verbindung nur durch Handhabung am Steckergehäuse</b> Ensure to use only connector body for connection/disconnection <b>Nicht am Kabel ziehen!!!</b> never pull at fiber optic cables!!! <b>-Reklamationen in diesem Bereich können wir nicht anerkennen</b> complaints in this regard cannot be accepted <b>-Ferrulen stets durch Staubschutzkappe schützen und vor jedem Einsatz säubern</b> ferrules must be protected via dust covers and must be cleaned before use

Test Report

Bar Code Label

9# PE Bag ( 220mm X 280mm)

<b>Pigtail set SC/PC OM3 50/125, 12 Different Colours , 2M</b> Part Number: O3325.2 Quantity: 12 pcs	
SC/PC	
IL1: 0.05 dB	IL7: 0.07 dB
IL2: 0.11 dB	IL8: 0.12 dB
IL3: 0.15 dB	IL9: 0.02 dB
IL4: 0.07 dB	IL10: 0.08 dB
IL5: 0.09 dB	IL11: 0.09 dB
IL6: 0.03 dB	IL12: 0.10 dB
Bar Code:	
Batch: 20110913	

**Achtung Lichtwellenleiter!**  
Bei unsachgemäßer Handhabung entfallen Haftungsansprüche!

Label

RoHS Compliant



# EFB

Pigtail set SC/PC OM3 50/125µ, 12 Different Colours , 2M

Part No.: O3325.2

Drawing No.:

Page : 2 of 3

Bar Code Label ( 100mm X 60mm)

## 1. Characteristics

- . Small outer diameter, lightweight
- . Flame-retardant jacket, halogen free
- . Low attenuation
- . Easy to strip

## 2. Applications

- . Installation in conduits and shafts
- . Indoor distribution
- . Spliced Connections
- . Connecting workstations inside buildings(FTTD)

## 3. Temperature Range

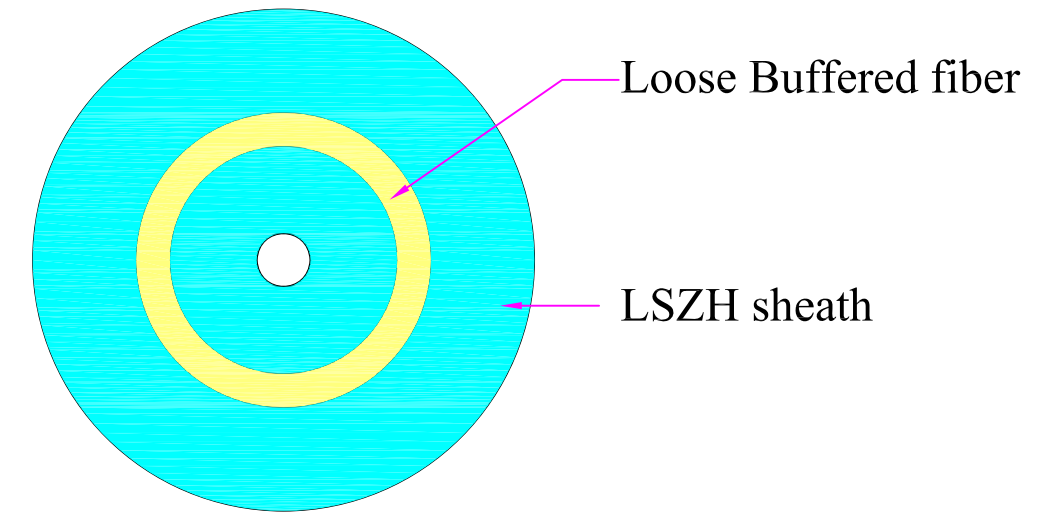
- . -20° C up to + 70° C

## 4. Fiber Optic Cable Performance:

- . Number of fibers: 1
- . Outside diameter: 0.9mm
- . Nominal weight: 0.9kg/km
- . Max. tension:6.0N(short-term)  
3.0N(long-term)
- . Min. Bending Radius:20D(Dynamic)  
10D(Static)
- . Complies with TIA/EIA568 B.3 & Bellcore GR-409-CORE & OFNR-UL/CSA FT-4
- . Maximum Attenuation:  $\leq 2.7\text{dB @}850\text{nm}$   
 $\leq 0.7\text{dB @}1300\text{nm}$
- . Minimum Bandwidth:  $\geq 1500\text{ MHz.Km@}850\text{nm}$   
 $\geq 500\text{ MHz.Km@}1300\text{nm}$

## 5. Cable Specification

- . Fiber type: MM 50/125 $\mu$  OM3
- . LSZH Jacket , Blue,Orange,Green,Brown,Slate,White,Red,Black,Yellow, Violet,Rose,Aqua ( 900 $\mu\text{m}$  and 250 $\mu\text{m}$  are same Color )



( 900 $\mu\text{m}$  and 250 $\mu\text{m}$  are same Color )

RoHS  
Compliant



# EFB

Pigtail set SC/PC OM3 50/125 $\mu$ , 12 Different Colours , 2M

Part No.: O3325.2

Drawing No.:

Page : 3 of 3