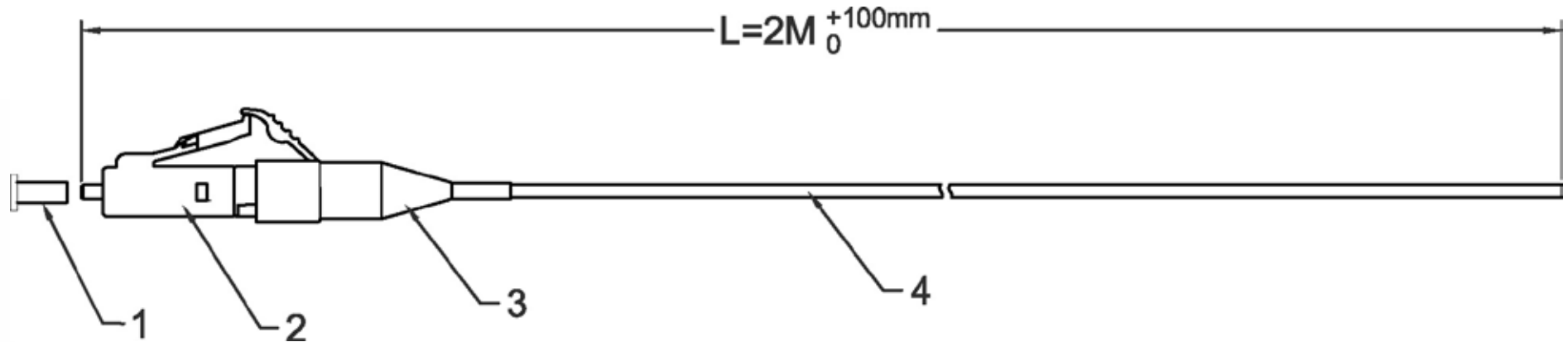


**12 x LC Singlemode 9/125µ OS2 Fiber Pigtail Set Coloured, 2 Metres**



**Notes:**

- Insertion Loss:  $\leq 0.3\text{dB}$  @1310nm
- End surface test is according to OP-03-05001
- Test standard: GR-326-CORE
- Test report has to match the serial no.
- RoHS compliant
- Fiber cable according to IEC 60793-2
- LC connector according to IEC 61754-20

4	Ø 0.9 mm SM 9/125µ OS2 cable, 12 different jacket colours: red, green, blue, yellow, white, grey, brown, violet, turquoise, black, orange, pink	12
3	LC boot 0.9 mm, beige	12
2	LC simplex connector, blue	12
1	LC dust cover	12
<b>No.</b>	<b>Description</b>	<b>Qty</b>

RoHS  
compliant

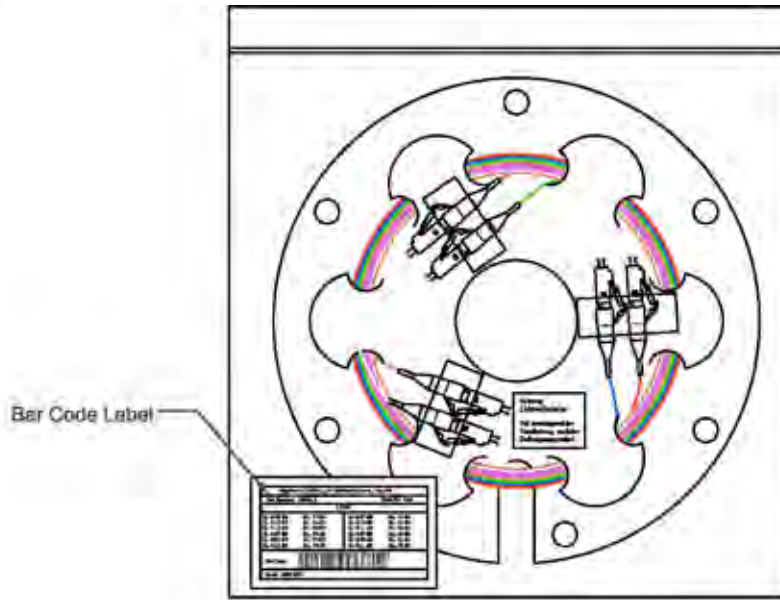
Created MN	Date 11.10.10
Last rev. MN	Date 11.10.10

**LC SM Fiber Pigtail Set**  
**12 x 9/125µ OS2**  
**00481.2**



**Packing:**

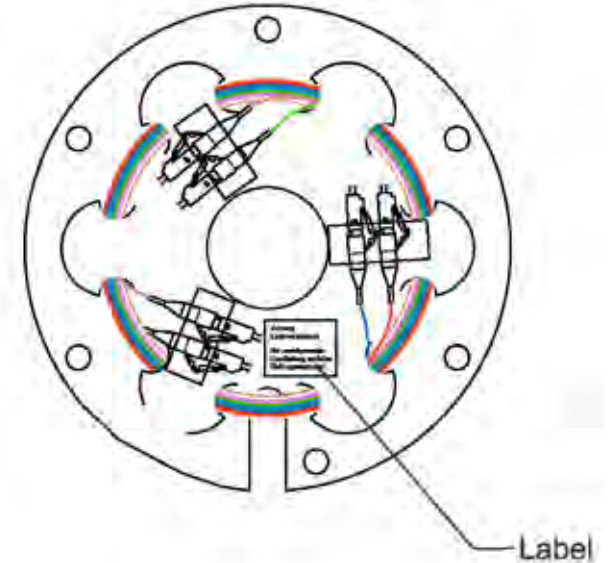
The corresponding label data for each cable assembly shall be glued to the package



9# PE Bag ( 220mm X 280mm)

Prüfprotokoll Inspektion eines Typs (V44) 2 Stückzahl 1 quantity 1
Einbaugliederung nach DIN 8509 Variante 7 Normen bzw. auf: in DIN 18509 (Mod. 7) Wellenlänge 1310 nm Steckverbindungs-OS2 wellenlänge 1310 nm American Norm-OS2 9/125 Date: 2009-10-23 Achtung LWT, Komponenten attention fiber optic cable
-Vorsichtig handhaben handle with care -Mindestbiegeradius von 40mm nicht unterschreiten do not decrease bending radius of 40mm -Stöcke u.L. lösen für Verladung nur durch Handhabung am Steckergehäuse Boxes to use only connector body for connection/disconnection. Nicht am Kabel ziehen!!! never pull at fiber optic cables!!! -Reklamationen in diesem Bereich können wir nicht anerkennen complaints in this regard cannot be accepted. -Probleme stets durch Steckergehäuse schützen and vor jedem Einsatz sichern ferrules must be protected via dust covers and must be cleaned before use

Test Report



Pigtail LC 9/125µ, 12 Different Colors, 2M2M			
Part Number: 00481.2	Quantity: 1000		
TL: 0.89 (05)	RL: 57 (05)	TL: 0.97 (05)	RL: 57 (05)
TL: 0.19 (05)	RL: 59 (05)	TL: 0.19 (05)	RL: 59 (05)
TL: 0.12 (05)	RL: 69 (05)	TL: 0.11 (05)	RL: 59 (05)
TL: 0.87 (05)	RL: 59 (05)	TL: 0.07 (05)	RL: 69 (05)
TL: 0.89 (05)	RL: 57 (05)	TL: 0.09 (05)	RL: 57 (05)
TL: 0.11 (05)	RL: 59 (05)	TL: 0.11 (05)	RL: 59 (05)

Part Code: \_\_\_\_\_  
 Part: 00481.2

Bar Code Label ( 100mm X 60mm)

Achtung Lichtwellenleiter! Bei unsachgemäßer Handhabung zerfallen! Haftungsrisiko!
--

Label

Created MN	Date 11.10.10
Last rev. MN	Date 11.10.10

**LC SM Fiber Pigtail Set**  
**12 x 9/125µ OS2**  
**00481.2**



## 1. Description:

- Loose buffered fiber
- Easy to strip
- Flame retardant jacket (LSZH)
- Small bending radius
- Lightweight

## 2. Applications:

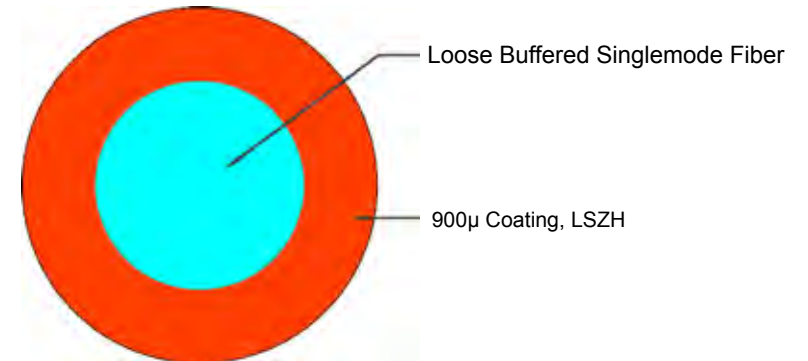
- Indoor cabling
- Pigtail manufacturing

## 3. Temperature Range:

- Operation: -20°C to +60°C
- Storage/Transport: -25°C to +70°C
- Installation: -5°C to 50°C

## 4. Fiber Optic Cable Performance:

- Number of fibers: 1
- Outer diameter: 0.9 mm
- Nominal weight: 1 kg/km
- Attenuation (typ.):  $\leq 0.38$  dB/km @1310nm  
 $\leq 0.25$  dB/km @1550nm  
 $\leq 0.38$  dB/km @1383nm
- Tensile force (installation):  $\leq 4.5$  N
- Bending radius (installation & operation):  $\geq 30$  mm
- Complies with TIA/EIA568 B.3 & Bellcore GR-409-CORE & OFNR-UL/CSA FT-4



Created MN	Date 11.10.10	<b>LC SM Fiber Pigtail Set</b> <b>12 x 9/125<math>\mu</math> OS2</b> <b>00481.2</b>	File: 00481.2_ENG
Last rev. MN	Date 11.10.10		