

Cable housing - KGS-MSTB 2,5/14 - 1783834

Please be informed that the data shown in this PDF Document is generated from our Online Catalog. Please find the complete data in the user's documentation. Our General Terms of Use for Downloads are valid (<http://download.phoenixcontact.com>)



Cable housing, Pitch: 0 mm, Number of positions: 14, Dimension a: 70 mm, Color: green

Product Features

- Straight cable outlet for sequencing several cable housings
- Easier plug-in and disconnection processes
- For MSTB, IC, and GMSTB plugs with and without flange, and pitch of 5.0 and 5.08 mm
- Strain relief for the cables provided by cable binder or a clamp
- Full latching of both half shells of the cable housing
- Suitable for cables with a diameter of 4 to 13.5 mm

Key commercial data

package_quantity	10
GTIN	4017918042011

Technical data

Dimensions

Pitch	0 mm
Dimension a	70 mm

General

Range of articles	KGS-MSTB 2,5
Insulating material group	I
Insulating material	ABS
Inflammability class according to UL 94	HB
Number of positions	14

classifications

eCl@ss

eCl@ss 4.0	272607xx
eCl@ss 4.1	27260701
eCl@ss 5.0	27260701
eCl@ss 5.1	27260701
eCl@ss 6.0	27260704

Cable housing - KGS-MSTB 2,5/14 - 1783834

classifications

eCl@ss

eCl@ss 7.0	27440402
eCl@ss 8.0	27440402

ETIM

ETIM 3.0	EC001121
ETIM 4.0	EC000437
ETIM 5.0	EC000451

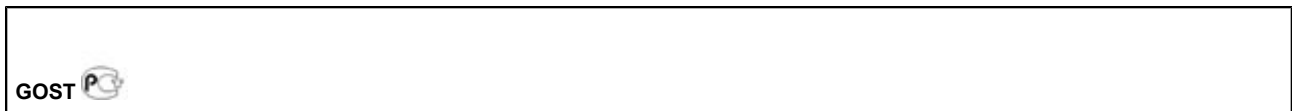
UNSPSC

UNSPSC 6.01	30211810
UNSPSC 7.0901	39121409
UNSPSC 11	39121409
UNSPSC 12.01	39121409
UNSPSC 13.2	39121409

approvals

GOST /

Approval details



accessories

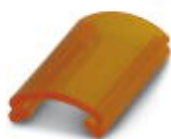
Terminal marking

SBS 2,5/7,5 - 1007604



accessories

KGS-MSTB 2,5/ DST - 1784914



Cable housing - KGS-MSTB 2,5/14 - 1783834

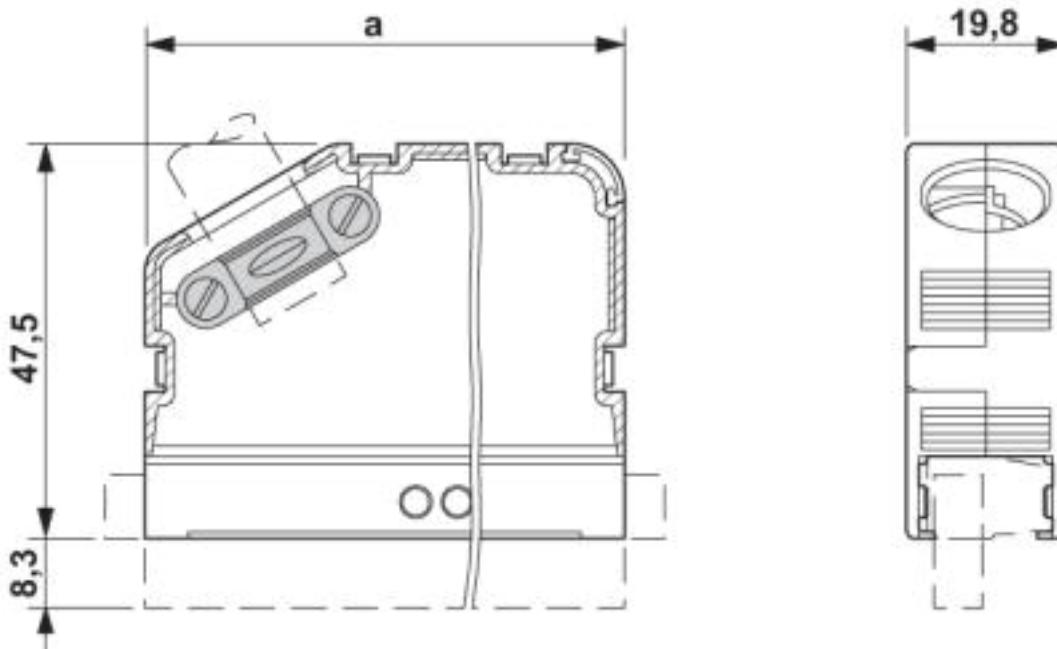
accessories

KD-KGS-MSTB - 1804658



Drawings

Dimensioned drawing



© Phoenix Contact 2013 - all rights reserved
<http://www.phoenixcontact.com>