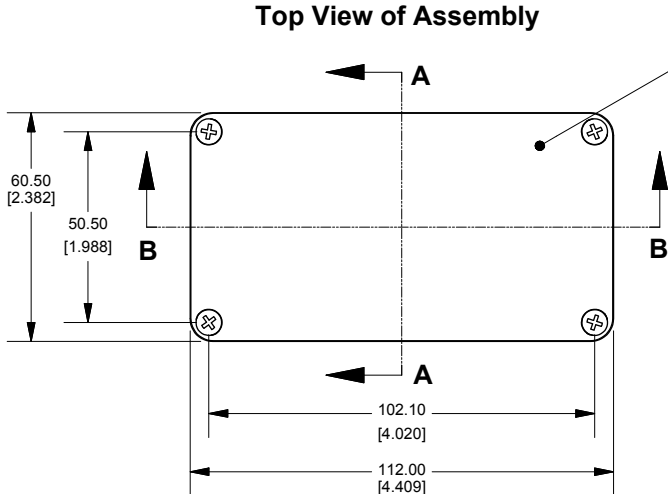
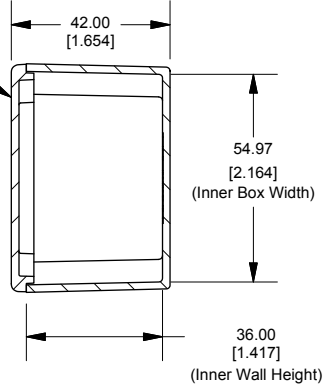


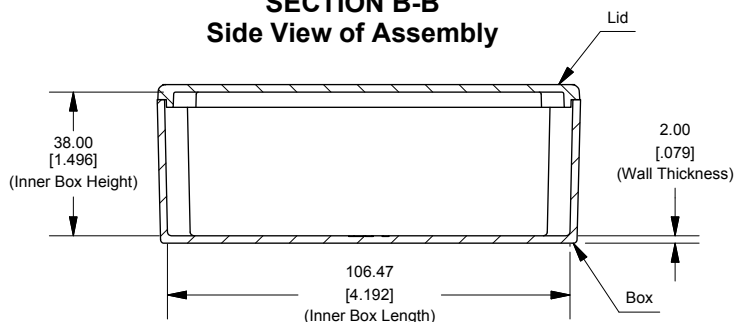
### Top View of Assembly



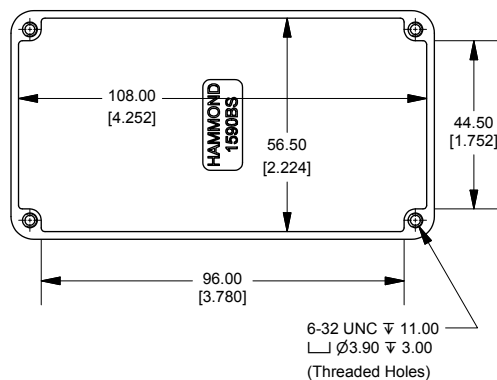
### SECTION A-A End View of Assembly



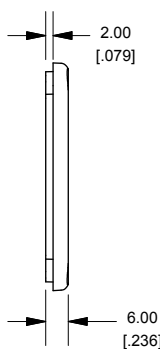
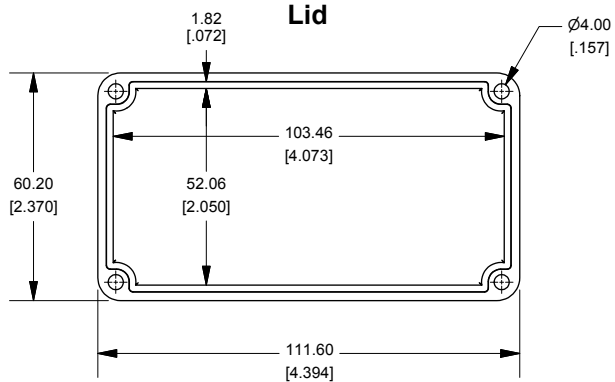
### SECTION B-B Side View of Assembly



### Top View Looking Inside Box



### Lid



Enclosures can be Factory Modified ( Milling, Drilling, Printing etc.)  
 Contact Factory [mjm@hammondmfg.com](mailto:mjm@hammondmfg.com) for quotes  
 Solid models of this enclosure available in STEP or IGES.

NOTE	
Purchased assembly includes box, lid and 4 cover screws	
Box and lid are made from Diecast Aluminum Alloy (alloy type 380).	
Silicone gasket supplied with liquid resistant enclosures.	
PART NUMBERS	
<b>1590BS Enclosure</b>	
Unfinished	1590BS
Grey Textured Polyester Powder Paint - RAL 7038	1590BSGY
Black Textured Polyester Powder Paint - RAL 9011	1590BSBK
<b>1590BS Liquid Resistant Enclosure (Silicone Gasket)</b>	
Unfinished	1590WBS
Black Textured Powder Paint	1590WBSBK
ACCESSORIES	
<b>Recommended Torque: 75 ozf.in / 55 cN.m</b>	
Black Textured Cover Screws (Pkg 100) [6-32 x 1/2" SS Type 304]	1590WMS100BK
Unfinished Cover Screws (Pkg 100) [6-32 x 1/2" SS Type 304]	1590WMS100
Standard Cover Screws	
Unfinished Cover Screws (Pkg 100) [6-32 x 1/2" Nickel Plated Screws]	1590MS100
Black Textured Cover Screws (Pkg 100) [6-32 x 1/2" Nickel Plated Screws]	1590MS100BK

**HAMMOND  
MANUFACTURING™**

**1590BS**

[www.hammondmfg.com](http://www.hammondmfg.com)