

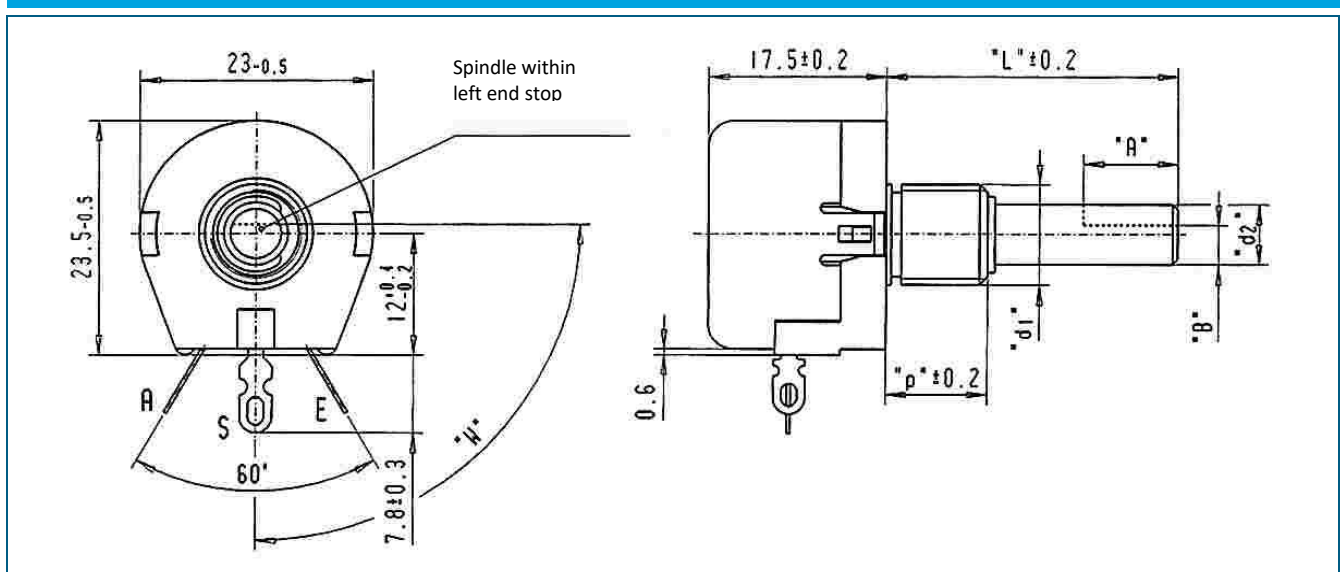
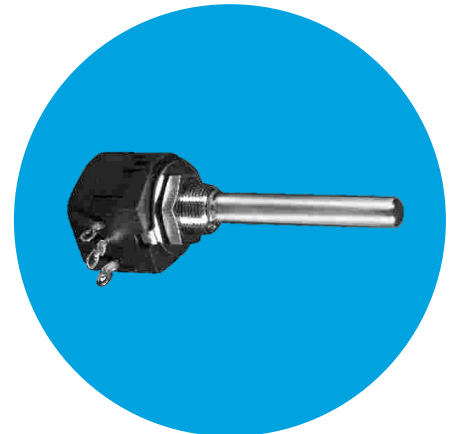
Wirewound rotary

Series ABW 1

Type ABW 1

Ordering code no.: 31 096

Basic design: encased, nominal width 23 mm, solder tag terminals



Technical data

| | | | |
|--------------------------|-----------------------------------------|-----------------------|--------------------------------|
| Rated resistance range | 5 Ω - 22 kΩ | Temperature range | -40 °C to +90 °C |
| Resistance tolerance | ± 10 % (< 10 Ω ± 20 %) on request ± 5 % | Insulation resistance | 1 GΩ |
| Law (resistance taper) | lin (lg on request) | Electrical travel | 265° ± 5° |
| Independent linearity | ± 2 % (on request ± 1 %) | Mechanical travel | 285° ± 5° on request 270° ± 5° |
| Rated dissipation | 1 W / 40 °C | Operating torque | 0.8 - 3 Ncm |
| Limiting element voltage | 300 V | Endstop torque | 100 Ncm |
| Isolation voltage | 1 kV ~ | Durability | 10 000 cycles |

Spindles
 - Metal or plastic moulded (see table)
 - End of spindle according to customer specification (length, flat)

| l (mm) | p (mm) | d ₂ (mm) | d ₁ |
|-------------|------------------|---------------------|----------------|
| standard 50 | 10, on request 5 | 6 | M10 x 0,75 |