

### Series ABW 2

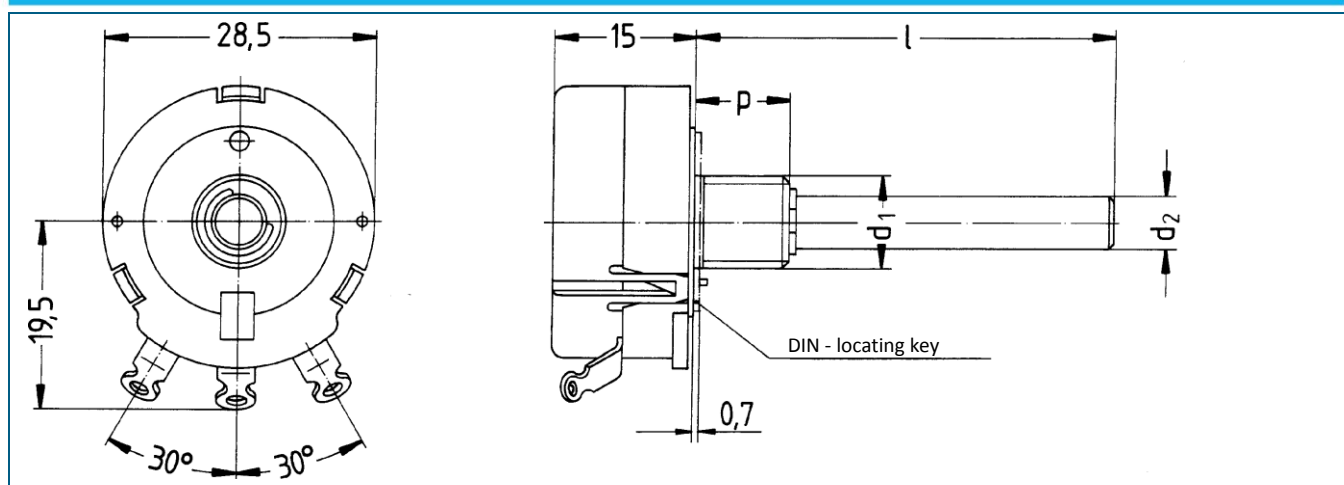
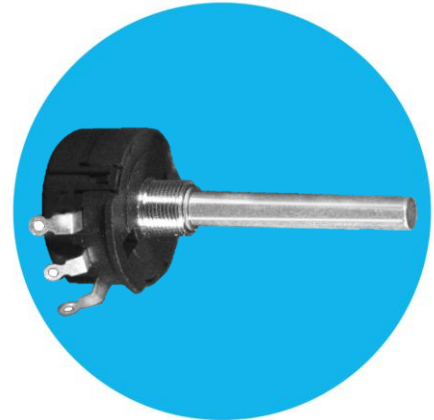
Type ABW 2 / N

Ordering code no.: 31 143 .....

Basic design: encased, nominal width 28.5 mm, solder tag terminals

Standard version with nut

Special accessories: washer or locating key



### Technical data

Rated resistance range	5 Ω - 22 kΩ	Temperature range	-40 °C to +90 °C
Resistance tolerance	± 10 % (< 10 Ω ± 20 %) on request ± 5 % , ± 2 %	Temperature coefficient	See table
Law (resistance taper)	lin (lg on request)	Insulation resistance	1 GΩ
Independent linearity	± 2 % (on request ± 1 %)	Electrical travel	270° ± 5°
Rated dissipation	2 W / 40 °C	Mechanical travel	300° ± 5°
Limiting element voltage	300 V	Operating torque	0.7 - 2.5 Ncm
Isolation voltage	1 kV~	Endstop torque	100 Ncm
Durability	10 000 cycles		

### Spindles

- Metal  
- End of spindle according to customer specification (length, flat)

l (mm)	p (mm)	d <sub>2</sub> (mm)	d <sub>1</sub>
standard 50	8	6	M10 x 0,75

### Temperature coefficient and resolution

R <sub>N</sub>	10 Ω	22 Ω	47 Ω	100 Ω	220 Ω	470 Ω	1 kΩ	2,2 kΩ	4,7 kΩ	10 kΩ	22 kΩ
TC-value ppm / °C	+ 400	+ 400	+ 400	+ 400	+ 40 - 80	+ 40 - 80	+ 40 - 80	+ 40 - 80	+ 40 - 80	+ 140	+ 140
Resolution %	1	0,68	0,59	0,41	0,35	0,29	0,3	0,2	0,12	0,17	0,12

### General Note

TT Electronics reserves the right to make changes in product specifications without notice or liability. All information is subject to TT Electronics' own data and is considered accurate at time of going to print.