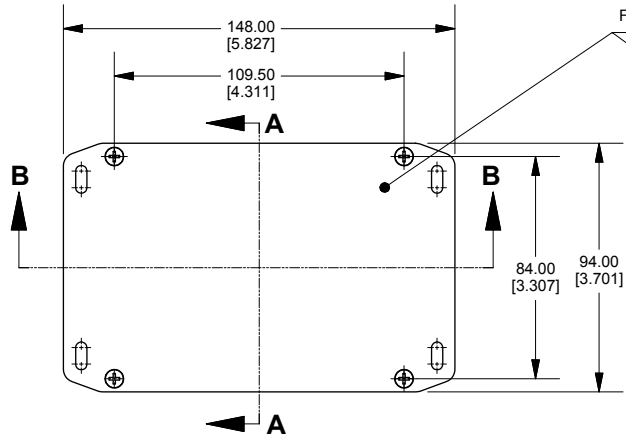
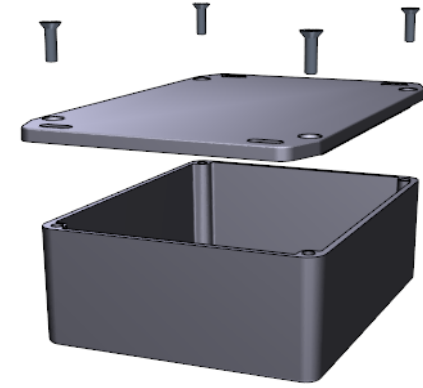
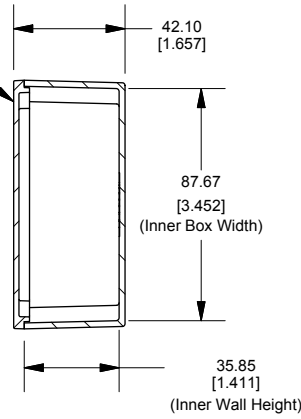


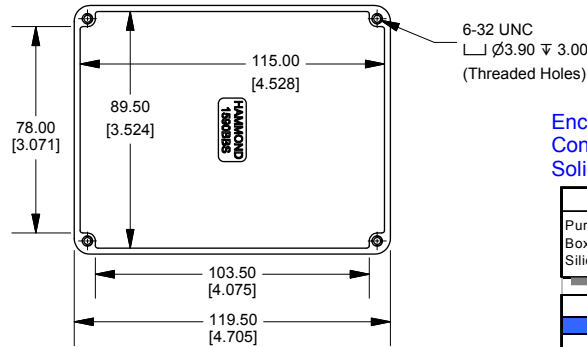
Top View of Assembly



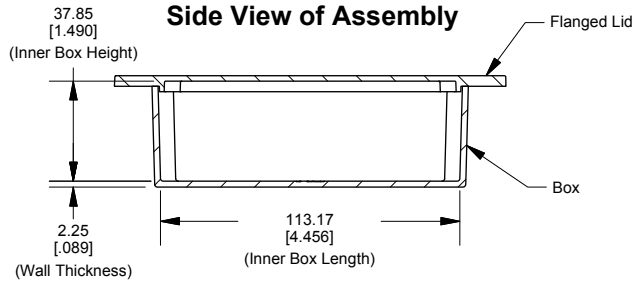
SECTION A-A End View of Assembly



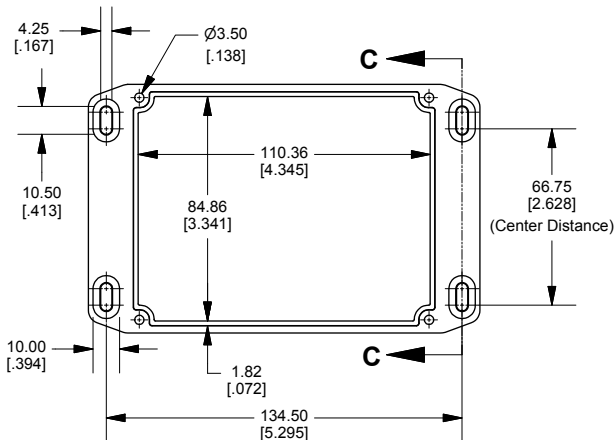
Top View Looking Inside Box



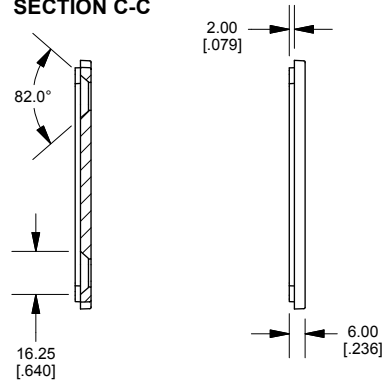
SECTION B-B Side View of Assembly



Flanged Lid



Side View of Slot SECTION C-C



Enclosures can be Factory Modified (Milling, Drilling, Printing etc.)
 Contact Factory mjm@hammondmfg.com for quotes
 Solid models of this enclosure available in STEP or IGES.

NOTE	
Purchased assembly includes box, lid and 4 cover screws. Box and lid are made from Diecast Aluminum Alloy (alloy type 380). Silicone gasket supplied with liquid resistant enclosures.	
PART NUMBERS	
1590BBSFL Enclosure	
Unfinished	1590BBSFL
Grey Textured Polyester Powder Paint - RAL 7038	1590BBSFLGY
Black Textured Polyester Powder Paint - RAL 9011	1590BBSFLBK
1590BBSFL Liquid Resistant Enclosure (Silicone Gasket)	
Unfinished	1590WBBSFL
Black Textured Powder Paint	1590WBBSFLBK
ACCESSORIES	
Recommended Torque: 75 ozf.in / 55 cN.m	
Black Textured Cover Screws (Pkg 100) [6-32 x 1/2" SS Type 304]	1590WMS100BK
Unfinished Cover Screws (Pkg 100) [6-32 x 1/2" SS Type 304]	1590WMS100
Standard Cover Screws	
Unfinished Cover Screws (Pkg 100) [6-32 x 1/2" Nickel Plated Screws]	1590MS100
Black Textured Cover Screws (Pkg 100) [6-32 x 1/2" Nickel Plated Screws]	1590MS100BK



**HAMMOND
MANUFACTURING™**

1590BBSFL

www.hammondmfg.com