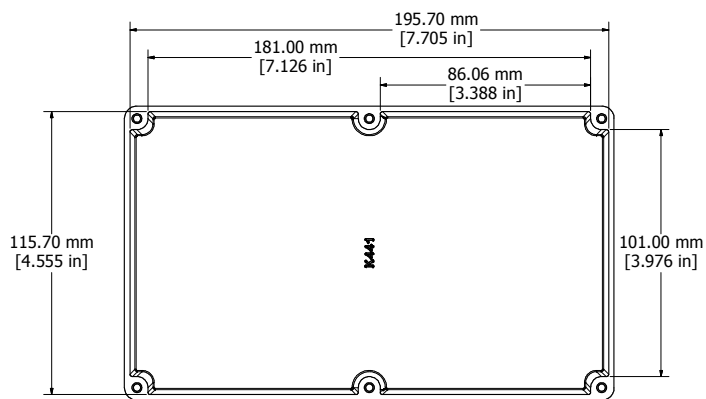
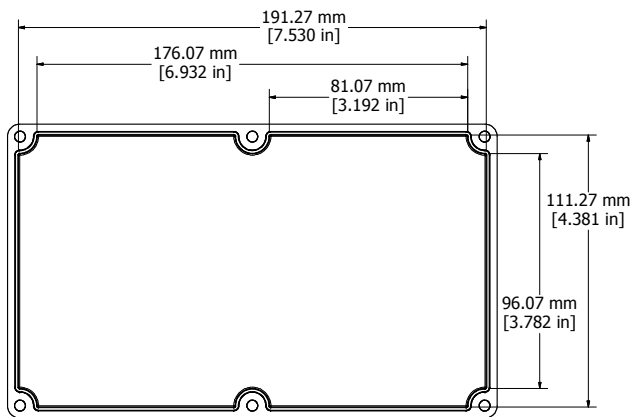


SECTION B-B
SIDE VIEW OF ASSEMBLY



BOX - INSIDE VIEW



LID - INSIDE VIEW

Enclosures can be Factory Modified (Milling, Drilling, Printing etc.)
 Contact Factory mjm@hammondmg.com for quotes
 Solid models of this enclosure available in STEP or IGES.

NOTE	
Purchased assembly includes box, lid and 6 cover screws.	
Box and lid are made from Diecast Aluminum Alloy.	

PART NUMBERS	
1590EE Enclosure	
Unfinished	1590EE
Grey Textured Polyester Powder Paint - RAL 7038	1590EEGY
Black Textured Polyester Powder Paint	1590EEBK
1590WEE Liquid Resistant Enclosure (Preform Silicon Gasket)	
Unfinished	1590WEE
Black Textured Polyester Powder Paint	1590WEEBK

