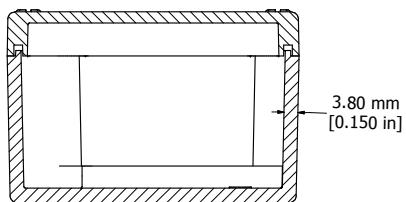
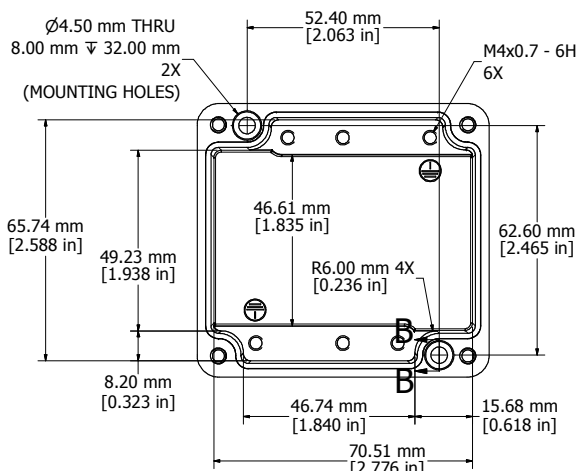


ASSEMBLY

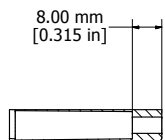
SECTION A-A



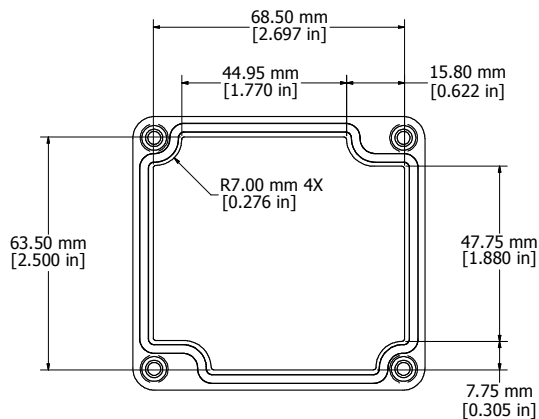
SECTION C-C



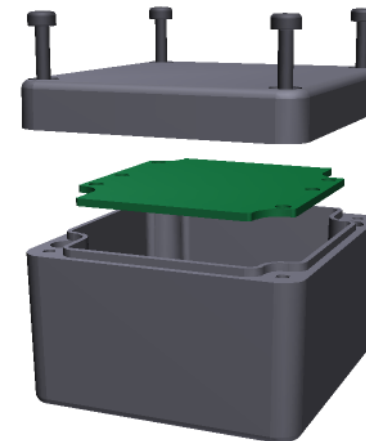
BOX - INSIDE



SECTION B-B



LID - INSIDE



File #E65324
NEMA 4, 4X

Enclosures can be Factory Modified (Milling, Drilling, Printing etc.)
Contact Factory mjm@hammondmfg.com for quotes
Solid models of this enclosure available in STEP or IGES.

NOTES

- Purchased assembly includes enclosure, M4x25 lid screws and M4x6 ground screws.
- Gasket - Preformed Silicone Rubber
- Cover screws should be torqued to 5-7.5 lbf.in (50-75 cN.m)

1590Z100

PART NUMBERS

Basic Enclosure	1590Z100
Black Enclosure	1590Z100BK
Grey Enclosure - RAL7001 Gloss	1590Z100GY



1590Z100

www.hammondmfg.com