

# Cable housing - KGG-MC 1,5/ 5 - 1834372

Please be informed that the data shown in this PDF Document is generated from our Online Catalog. Please find the complete data in the user's documentation. Our General Terms of Use for Downloads are valid (<http://download.phoenixcontact.com>)



Cable housing, Pitch: 0 mm, Number of positions: 5, Dimension a: 21.44 mm, Color: green

## Product Features

- For MC or IMC plugs with and without flange, and 3.81 mm pitch
- Straight cable outlet for sequencing several cable housings
- Incl. transparent label carriers from 6- to 16-pos.
- Incl. cable binders and marker strips for any numbers of positions
- Easier plug-in and disconnection processes
- Full latching of both half shells of the cable housing
- Strain relief for the cables provided by cable binder or a clamp

## Key commercial data

|                         |               |
|-------------------------|---------------|
| <b>package_quantity</b> | 10            |
| <b>GTIN</b>             | 4017918051891 |

## Technical data

### Dimensions

|                    |          |
|--------------------|----------|
| <b>Pitch</b>       | 0 mm     |
| <b>Dimension a</b> | 21.44 mm |

### General

|  |            |
|--|------------|
| <b>Range of articles</b>                       | KGG-MC 1,5 |
| <b>Insulating material group</b>               | I          |
| <b>Insulating material</b>                     | ABS        |
| <b>Inflammability class according to UL 94</b> | HB         |
| <b>Number of positions</b>                     | 5          |

## classifications

### eCl@ss

|                   |          |
|-------------------|----------|
| <b>eCl@ss 4.0</b> | 272607xx |
| <b>eCl@ss 4.1</b> | 27260701 |
| <b>eCl@ss 5.0</b> | 27260701 |
| <b>eCl@ss 5.1</b> | 27260701 |

# Cable housing - KGG-MC 1,5/ 5 - 1834372

## classifications

### eCl@ss

|            |          |
|------------|----------|
| eCl@ss 6.0 | 27260704 |
| eCl@ss 7.0 | 27440402 |
| eCl@ss 8.0 | 27440402 |

### ETIM

|          |          |
|----------|----------|
| ETIM 3.0 | EC001121 |
| ETIM 4.0 | EC000879 |
| ETIM 5.0 | EC000451 |

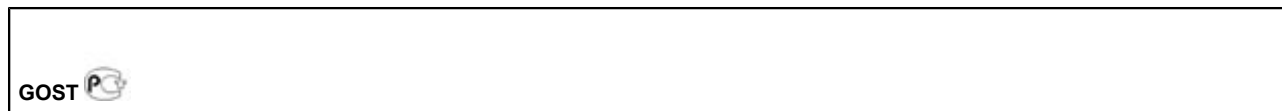
### UNSPSC

|               |          |
|---------------|----------|
| UNSPSC 6.01   | 30211810 |
| UNSPSC 7.0901 | 39121409 |
| UNSPSC 11     | 39121409 |
| UNSPSC 12.01  | 39121409 |
| UNSPSC 13.2   | 39121409 |

## approvals

GOST / GOST /

### Approval details



## accessories

### Terminal marking

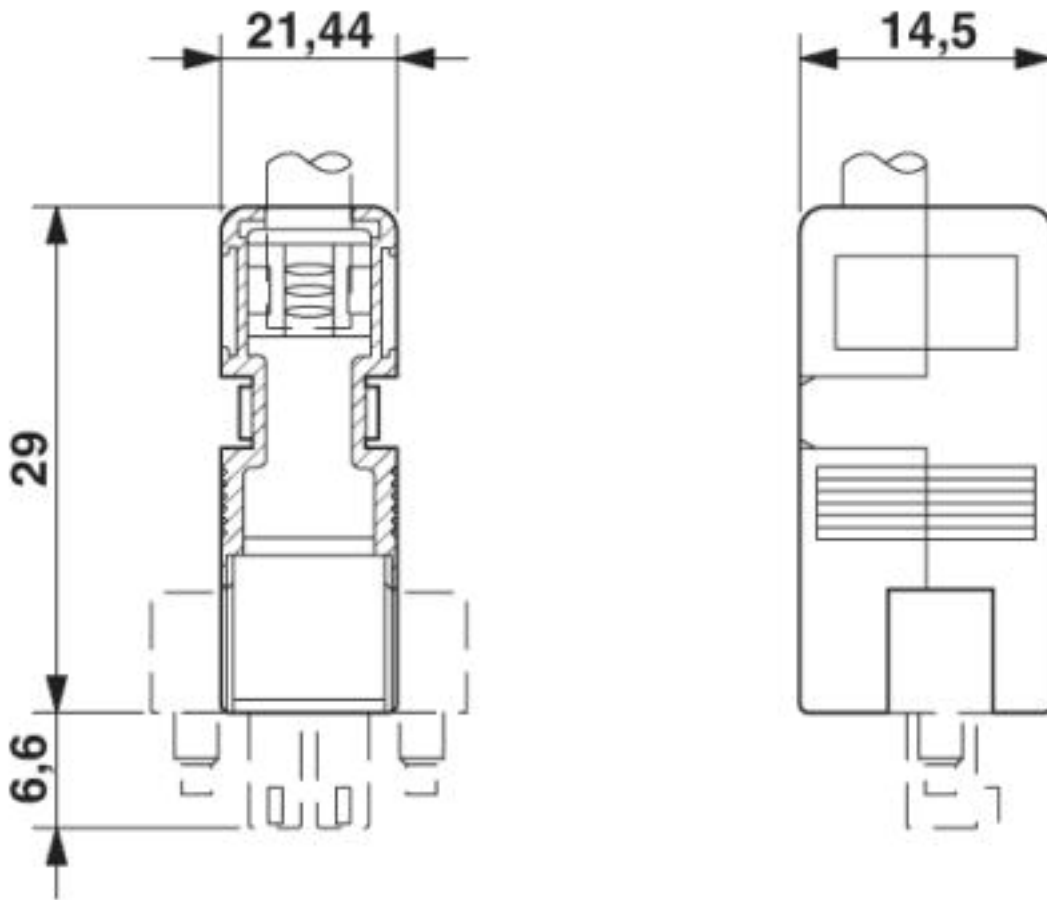
SBS10:UNBEDRUCKT - 1007248



## Drawings

## Cable housing - KGG-MC 1,5/ 5 - 1834372

Dimensioned drawing



© Phoenix Contact 2013 - all rights reserved  
<http://www.phoenixcontact.com>