

## Cable housing - KGS-MSTB 2,5/12 - 1783818

Please be informed that the data shown in this PDF Document is generated from our Online Catalog. Please find the complete data in the user's documentation. Our General Terms of Use for Downloads are valid (<http://download.phoenixcontact.com>)



Cable housing, Pitch: 0 mm, Number of positions: 12, Dimension a: 60 mm, Color: green

### Product Features

- Straight cable outlet for sequencing several cable housings
- Easier plug-in and disconnection processes
- Suitable for cables with a diameter of 4 to 13.5 mm
- Full latching of both half shells of the cable housing
- For MSTB, IC, and GMSTB plugs with and without flange, and pitch of 5.0 and 5.08 mm
- Strain relief for the cables provided by cable binder or a clamp

### Key commercial data

<b>package_quantity</b>	10
<b>GTIN</b>	4017918041991

### Technical data

#### Dimensions

<b>Pitch</b>	0 mm
<b>Dimension a</b>	60 mm

#### General

<b>Range of articles</b>	KGS-MSTB 2,5
<b>Insulating material group</b>	I
<b>Insulating material</b>	ABS
<b>Inflammability class according to UL 94</b>	HB
<b>Number of positions</b>	12

### classifications

#### eCl@ss

<b>eCl@ss 4.0</b>	272607xx
<b>eCl@ss 4.1</b>	27260701
<b>eCl@ss 5.0</b>	27260701
<b>eCl@ss 5.1</b>	27260701
<b>eCl@ss 6.0</b>	27260704

# Cable housing - KGS-MSTB 2,5/12 - 1783818

## classifications

### eCl@ss

eCl@ss 7.0	27449202
eCl@ss 8.0	27449202

### ETIM

ETIM 3.0	EC001121
ETIM 4.0	EC000437
ETIM 5.0	EC000451

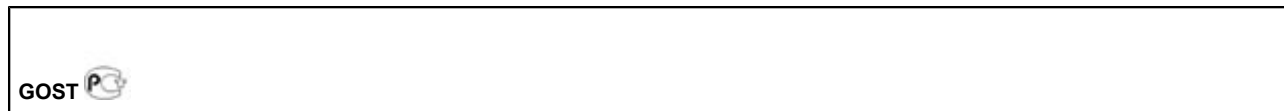
### UNSPSC

UNSPSC 6.01	30211810
UNSPSC 7.0901	39121409
UNSPSC 11	39121409
UNSPSC 12.01	39121409
UNSPSC 13.2	39121409

## approvals

GOST /

### Approval details



## accessories

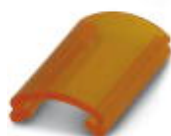
### Terminal marking

SBS 2,5/7,5 - 1007604



## accessories

KGS-MSTB 2,5/ DST - 1784914



# Cable housing - KGS-MSTB 2,5/12 - 1783818

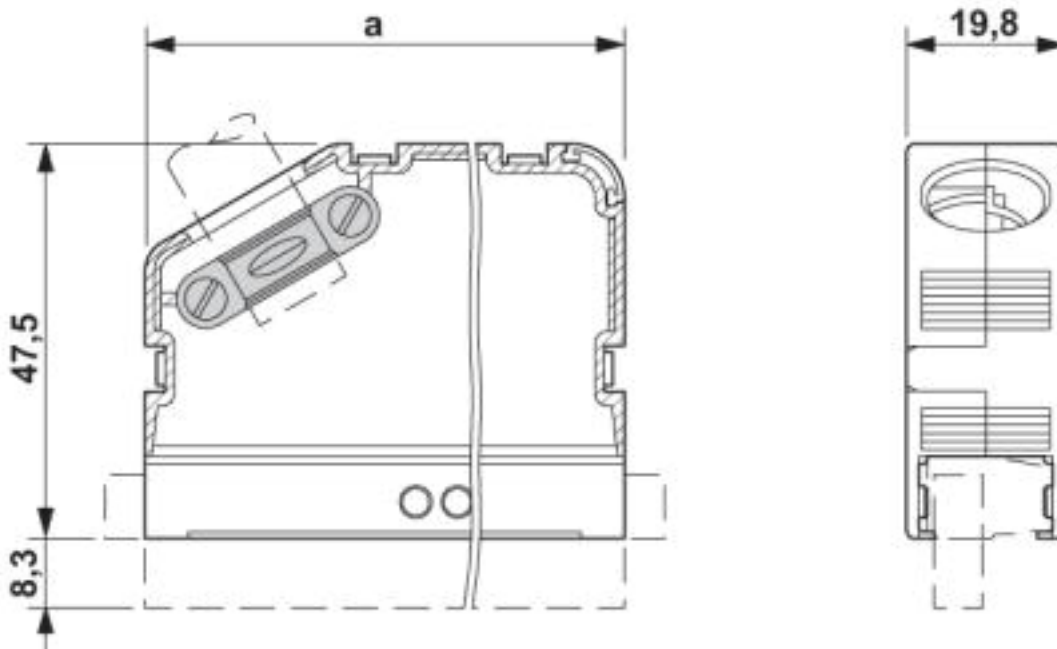
accessories

KD-KGS-MSTB - 1804658



## Drawings

Dimensioned drawing



© Phoenix Contact 2013 - all rights reserved  
<http://www.phoenixcontact.com>