

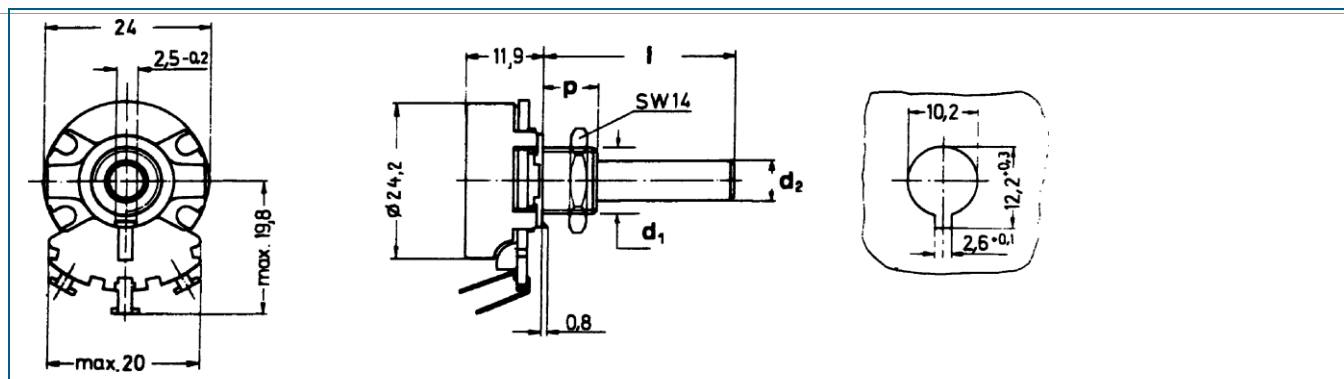
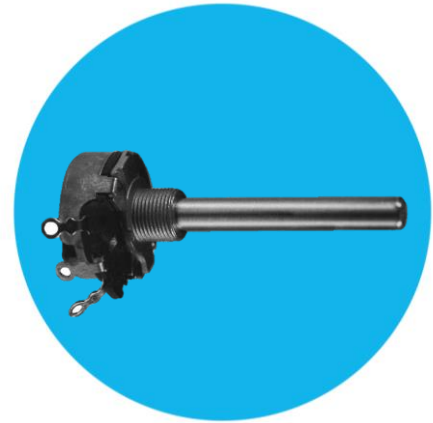
Wirewound rotary potentiometers

Series AW

Type AW

Ordering code no.: 31 046

Basic design: encased, nominal width 24 mm, solder tag terminals



Technical data

Rated resistance range	5 Ω - 25 kΩ	Temperature range	-40 °C to +90 °C
Resistance tolerance	± 10 % (< 10 Ω ± 20 %) on request ± 5 % , ± 2 %	Temperature coefficient	See table
Law (resistance taper)	lin	Electrical travel	280° ± 5°
Independent linearity	± 2 %	Mechanical travel	300° ± 10°
Rated dissipation	4 W / 40 °C	Operating torque	0.7 - 3.6 Ncm
Limiting element voltage	500 V	End stop torque	115 Ncm
Isolation voltage	1 kV~	Durability	10 000 cycles

Spindles

Metal, plastic moulded on request
(see table)

l (mm)	p (mm)	d ₂ (mm)	d ₁
standard 50	8 or 12	6	M10 x 0,75

Temperature coefficient and resolution

RN	10Ω	25Ω	50Ω	100Ω	250Ω	500Ω	1 kΩ	2,5 kΩ	5 kΩ	10 kΩ	25 kΩ
TC-value ppm / °C	+ 400	+ 400	+ 40 - 80	+ 40 - 80	+ 40 - 80	+ 140	± 20	± 20	± 20	± 20	± 20
Resolution %	0,75	0,75	0,7	0,5	0,35	0,35	0,3	0,3	0,2	0,15	0,13

General Note This datasheet does not give any information on product availability. The information given is just meant to describe the product and is not to be considered as guaranteed characteristics in the legal sense. All products are subject to design changes in the interest of further technical development.

Copyright: AB Elektronik GmbH (GER) ▪ info@abelektronik.de ▪ www.abelektronik.com