

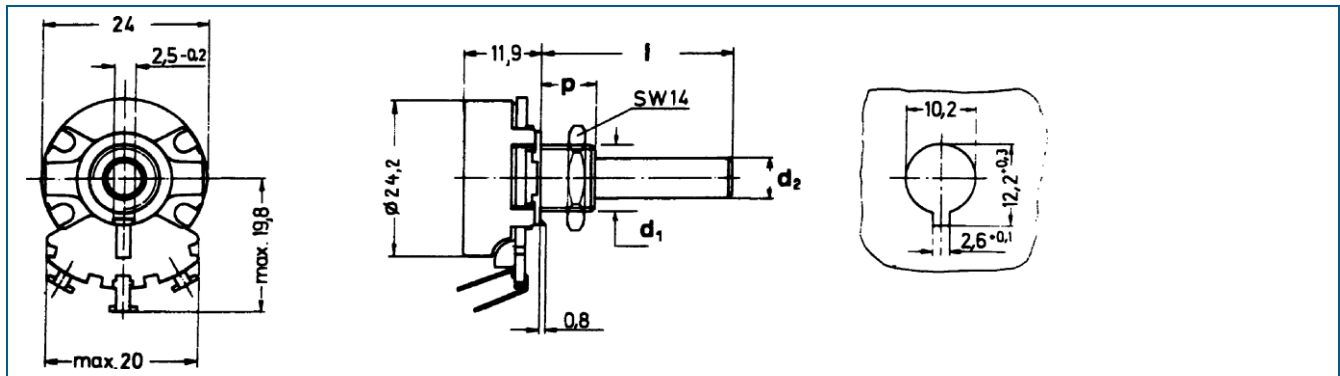
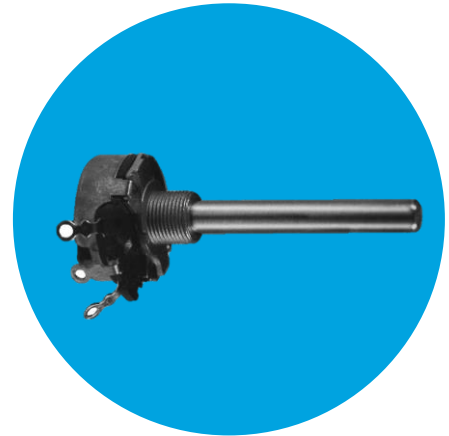
Wirewound rotary

Series AW

Type AW

Ordering code no.: 31 046

Basic design: encased, nominal width 24 mm, solder tag terminals



Technical data

Rated resistance range	5 Ω - 25 kΩ	Temperature range	-40 °C to +90 °C
Resistance tolerance	± 10 % (< 10 Ω ± 20 %) on request ± 5 % , ± 2 %	Temperature coefficient	See table
Law (resistance taper)	lin	Electrical travel	280° ± 5°
Independent linearity	± 2 %	Mechanical travel	300° ± 10°
Rated dissipation	4 W / 40 °C	Operating torque	0.7 - 3.6 Ncm
Limiting element voltage	500 V	End stop torque	115 Ncm
Isolation voltage	1 kV -	Durability	10 000 cycles

Spindles

Metal, plastic moulded on request (see table)

l (mm)	p (mm)	d ₂ (mm)	d ₁
standard 50	8 or 12	6	M10 x 0,75

Temperature coefficient and resolution

RN	10Ω	25Ω	50Ω	100Ω	250Ω	500Ω	1 kΩ	2,5 kΩ	5 kΩ	10 kΩ	25 kΩ
TC-value ppm / °C	+ 400	+ 400	+ 40 - 80	+ 40 - 80	+ 40 - 80	+ 140	± 20	± 20	± 20	± 20	± 20
Resolution %	0,75	0,75	0,7	0,5	0,35	0,35	0,3	0,3	0,2	0,15	0,13