

WEL3006

Trimming Potentiometer 19mm / Cermet / Multi-Turn



Features:

- 9mm Rectangular Multi-Turn
- Cermet / Industrial / Sealed
- Available with Knob or Shaft

Electrical Characteristics:

Standard Resistance Range:
10 to 2.2 megaohms
(see standard resistance table)

Resistance Tolerance:
+-10% std.
(tighter tolerance available)

Absolute Minimum Resistance:
2 ohms max.

Contact Resistance Variation:
3% or 3 ohms max.
(whichever is greater)

Adjustability:
Voltage +-0.05%
Resistance +-0.15%

Resolution:
Infinite

Insulation Resistance:
500VDC
1,000 megaohms min.

Dielectric Strength:
101.3 kPa 600VAC
8.5 kPa 250VAC

Effective Travel:
22 turns nom.

Environmental Characteristics:

Power Rating (315V max.):
0.5 watt (70°C), 0 watt (125°C)

Temperature Range:
-55°C to +125°C

Temperature Coefficient:
+-100ppm/°C

Vibration:
98m/s²
(1% ΔTR; 1% ΔVVR)

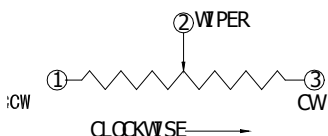
Shock:
390m/s²
(1% ΔTR; 1% ΔVVR)

Load Life:
1,000 hours 0.5 watt @ 70°C
(3% ΔTR; 4% or 4 ohms,
whichever is greater, CRV)

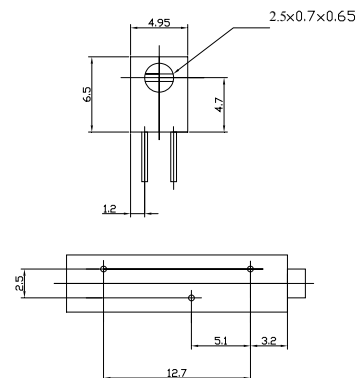
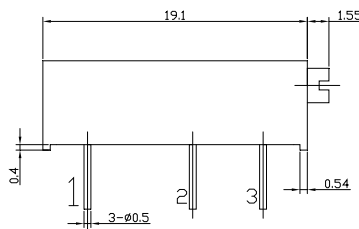
Rotational Life:
200 cycles
(3% ΔTR; 4% or 4 ohms)

Electrical Characteristics:

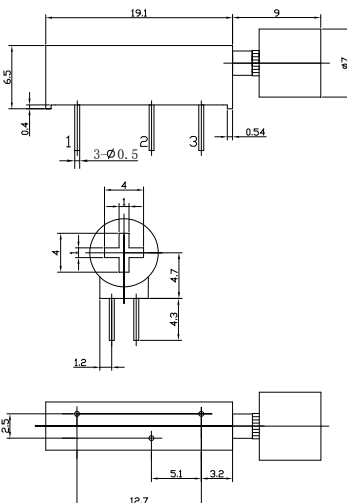
Torque:
15mN • m max.



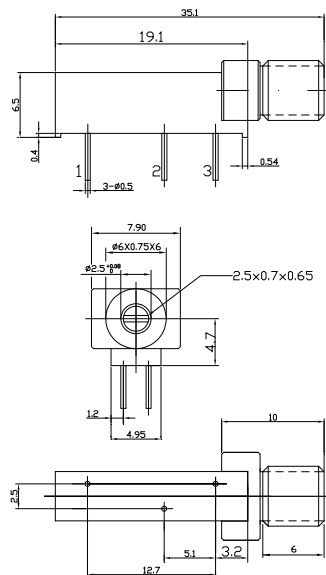
WEL3006-1



WEL3006-3



WEL3006-4



Standard Resistance Table:

Value	Code	Value	Code
10 R	100	20 K	203
20 R	200	25 K	253
50 R	500	50 K	503
100 R	101	100 K	104
200 R	201	200 K	204
500 R	501	250 K	254
1 K	102	500 K	504
2 K	202	1 M	105
5 K	502	2 M	205
10 K	103	5 M	505

Special resistance available
Detail Specification: Q/R Y106-2002

How To Order:

WEL3006-W-102-LF

Model _____

Style _____

Resistance Code _____

RoHS Compliant Type _____

Standard Packaging:
25pcs per tube