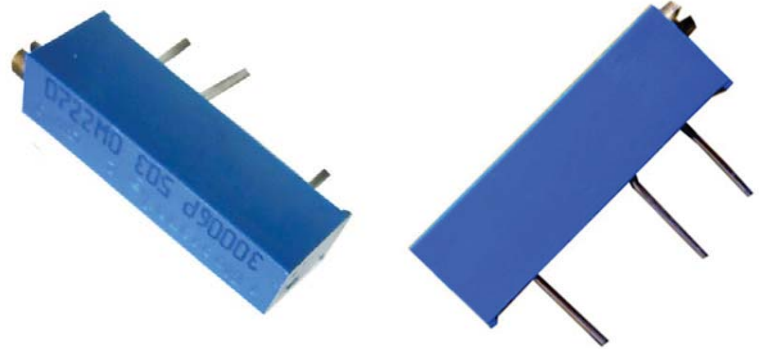


# Multiturn Potentiometer

## WEL3006 Cermet Trimming Potentiometer

Rectangular/Multiturn/ Cermet/ Industrial/ Sealed  
3 Terminal Styles  
Rohs Compliant



### Electrical Characteristics

Standard Resistance range: 10Ω - 2MΩ  
Resistance Tolerance: ±10% std.  
Absolute Minimum Resistance: ≤1% or 2Ω  
Contact Resistance Variation: ≤1% or 1Ω  
Insulation Resistance : R1 ≥1,000 MegΩ  
Withstand Voltage : 640VAC  
Effective Travel: 22 turns normal

### Environmental Characteristics

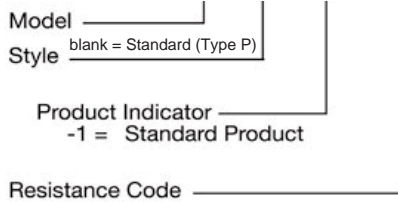
Power Rating:(350V max.)0.5W@70°C, 0W@125°C  
Temperature Range: -55°C to +125°C  
Temperature Coefficient: ±100ppm/°C  
Vibration: 10-500Hz, 0.75mm, 6Hour: ΔR≤±5%  
Shock: 390m/s, 4000cycles, ΔR≤±3%  
Electrical Endurance:0.5W@70°C,1000H,ΔR≤5%  
Rotational Life: 200Cycles,ΔR≤±3%

### Physical Characteristics

Starting Torque: ≤35mN·m  
Flammability: UL.94V-0  
Marking: Resistance code, Model  
Standard Packaging: 25pcs per tube

### How To Order

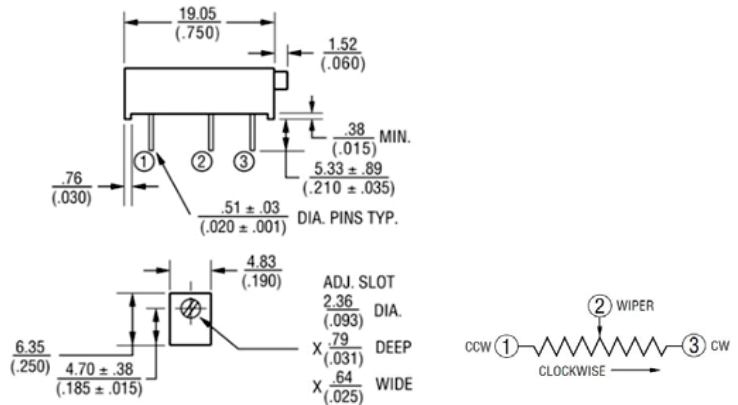
WEL3006 W - 1 - 103



### Standard Resistance Table

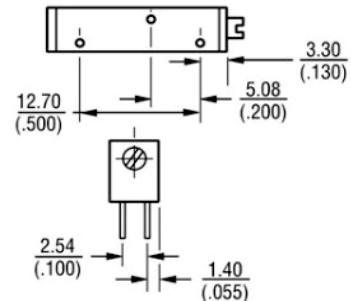
Resistance (Ohms)	Resistance Code
10	100
20	200
50	500
100	101
200	201
500	501
1000	102
2000	202
5000	502
10000	103
20000	203
25000	253
50000	503
100000	104
200000	204
250000	254
500000	504
1000000	105
2000000	205

### WEL3006 Common Dimension

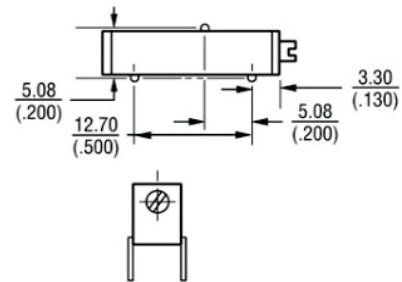


### Adjust Method

#### WEL3006P



#### WEL3006W



#### WEL3006Y

