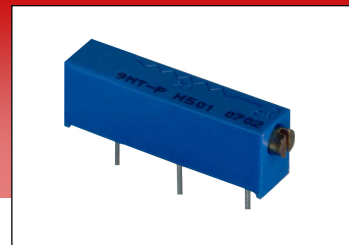


# WEL3006

## Trimming Potentiometer 19mm / Cermet / Multi-Turn



### Features:

- 9mm Rectangular Multi-Turn
- Cermet / Industrial / Sealed
- Available with Knob or Shaft

### Electrical Characteristics:

Standard Resistance Range:  
10 to 2.2 megaohms  
(see standard resistance table)

Resistance Tolerance:  
+-10% std.  
(tighter tolerance available)

Absolute Minimum Resistance:  
2 ohms max.

Contact Resistance Variation:  
3% or 3 ohms max.  
(whichever is greater)

Adjustability:  
Voltage +-0.05%  
Resistance +-0.15%

Resolution:  
Infinite

Insulation Resistance:  
500VDC  
1,000 megaohms min.

Dielectric Strength:  
101.3 kPa 600VAC  
8.5 kPa 250VAC

Effective Travel:  
**22 turns nom.**

### Environmental Characteristics:

Power Rating (315V max.):  
0.5 watt (70°C), 0 watt (125°C)

Temperature Range:  
-55°C to +125°C

Temperature Coefficient:  
+-100ppm/°C

Vibration:  
98m/s<sup>2</sup>  
(1% ΔTR; 1% ΔVVR)

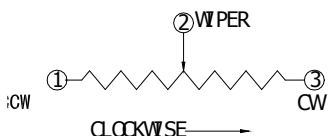
Shock:  
390m/s<sup>2</sup>  
(1% ΔTR; 1% ΔVVR)

Load Life:  
1,000 hours 0.5 watt @ 70°C  
(3% ΔTR; 4% or 4 ohms,  
whichever is greater, CRV)

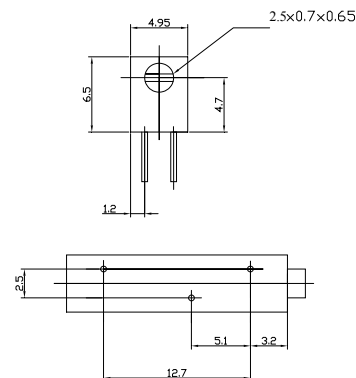
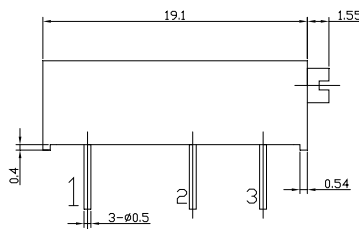
Rotational Life:  
200 cycles  
(3% ΔTR; 4% or 4 ohms)

### Electrical Characteristics:

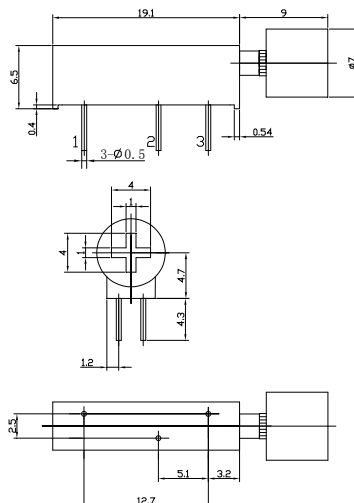
Torque:  
15mN • m max.



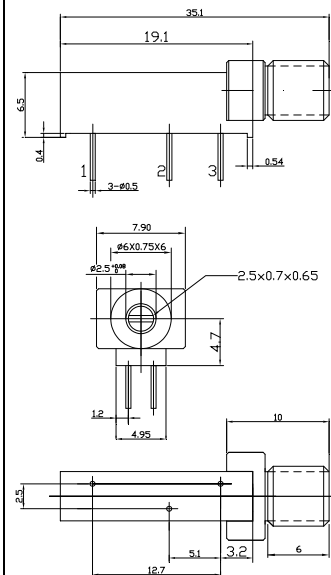
### WEL3006-1



### WEL3006-3



### WEL3006-4



### Standard Resistance Table:

| Value | Code | Value | Code |
|-------|------|-------|------|
| 10 R  | 100  | 20 K  | 203  |
| 20 R  | 200  | 25 K  | 253  |
| 50 R  | 500  | 50 K  | 503  |
| 100 R | 101  | 100 K | 104  |
| 200 R | 201  | 200 K | 204  |
| 500 R | 501  | 250 K | 254  |
| 1 K   | 102  | 500 K | 504  |
| 2 K   | 202  | 1 M   | 105  |
| 5 K   | 502  | 2 M   | 205  |
| 10 K  | 103  | 5 M   | 505  |

Special resistance available  
Detail Specification: Q/RY106-2002

### How To Order:

#### WEL3006-W-102-LF

Model

Style

Resistance Code

RoHS Compliant Type

Standard Packaging:  
25pcs per tube