

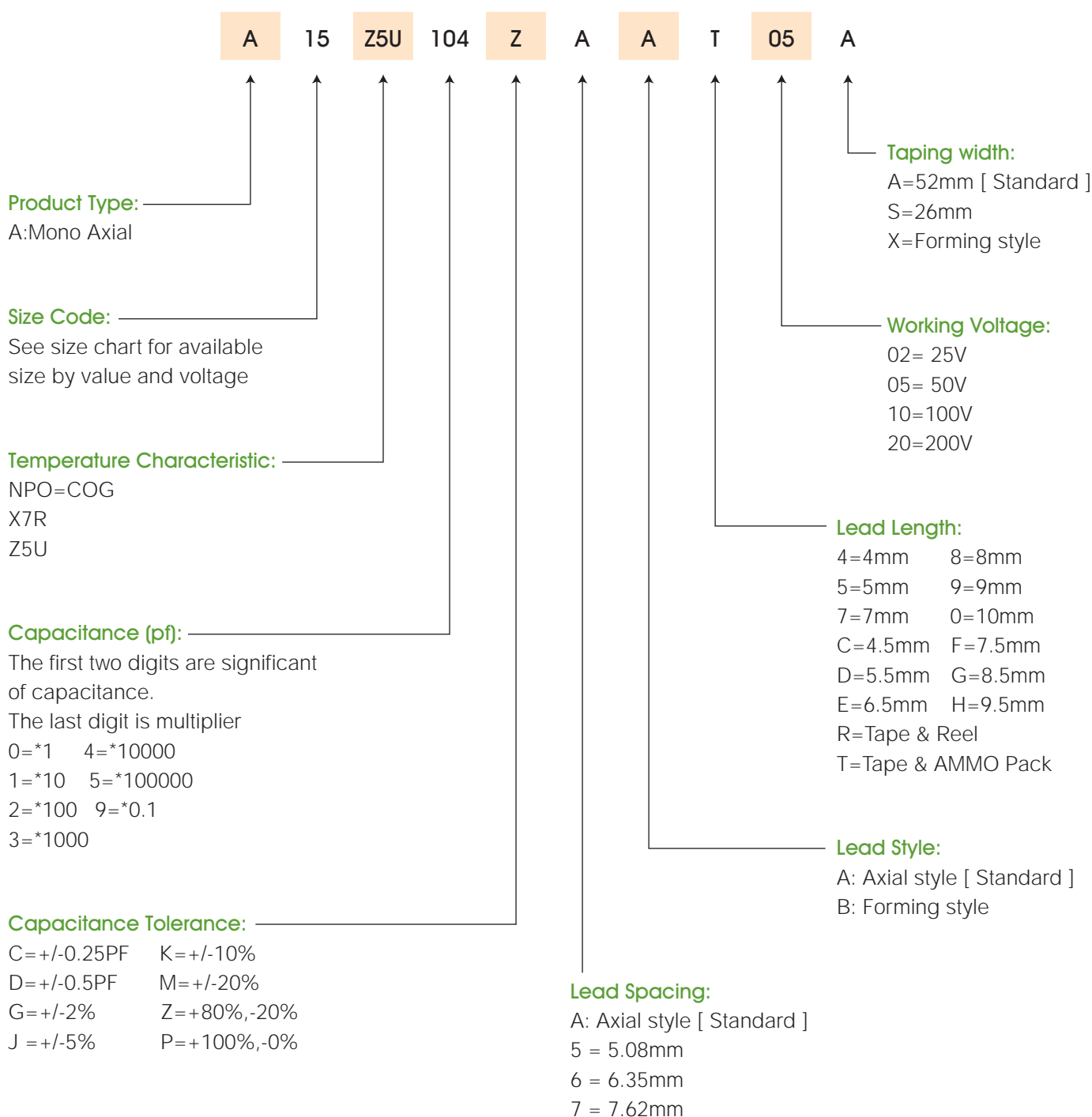
## Axial Leaded, Epoxy Coated Multilayer Ceramic Capacitors

### Description

Our Axial leaded, Epoxy Coated Multilayer Ceramic Capacitors are built by superior moisture and shock resistant epoxy coating. These capacitors are supplied in both bulk or taping and reel package for automatic insertion and sequencing with any axial leaded components.

### How To Order :

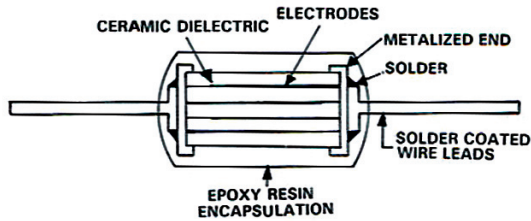
Part number are designed as :



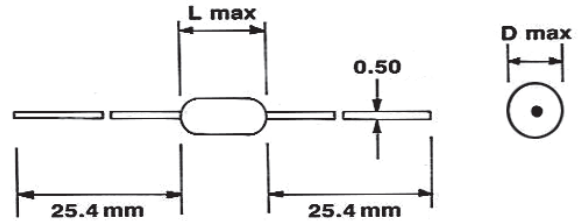
### Capacitance Range Of Mono Axial

Spec.\T.C.		NPO				X7R				Z5U		Y5V	
SIZE		A15		A20		A15		A20		A15	A20	A15	A20
CAP \ WVDC		50	100	50	100	50	100	50	100	50		50	
1 PF	1 PF	■	■										
to 100	to 100	■	■										
120 pF	121	■	■										
150	151	■	■										
180	181	■	■										
220	221	■	■			■	■						
270	271	■	■			■	■						
330	331	■	■			■	■						
390	391	■	■			■	■						
470	471	■	■			■	■						
560	561	■	■			■	■						
680	681	■	■			■	■						
820	821	■	■			■	■						
1000	102	■	■			■	■						
1200	122	■	■			■	■						
1500	152	■	■			■	■						
1800	182	■	■			■	■						
2200	222	■	■			■	■						
2700	272	■	■			■	■						
3300	332	■	■			■	■						
3900	392	■	■			■	■						
4700	472	■	■			■	■						
5600	562	■	■			■	■						
6800	682			■	■	■	■						
8200	822			■	■	■	■			■		■	
0.01uF	103			■	■	■	■			■		■	
0.012	123			■	■	■	■			■		■	
0.015	153			■	■	■	■			■		■	
0.018	183			■	■	■	■			■		■	
0.022	223			■	■	■	■			■		■	
0.027	273			■	■	■	■			■		■	
0.033	333			■	■	■	■			■		■	
0.039	393			■	■	■	■			■		■	
0.047	473			■	■	■	■			■		■	
0.056	563			■	■	■	■			■		■	
0.068	683			■	■	■	■			■		■	
0.082	823			■	■	■	■			■		■	
0.10	104			■	■	■	■	■	■	■		■	
0.12	124			■	■	■	■	■	■	■		■	
0.15	154			■	■	■	■	■	■	■		■	
0.18	184			■	■	■	■	■	■	■		■	
0.22	224			■	■	■	■	■	■	■	■	■	
0.33	334			■	■	■	■	■	■	■	■	■	
0.47	474			■	■	■	■	■	■	■	■	■	
0.56	564			■	■	■	■	■	■	■	■	■	
0.68	684			■	■	■	■	■	■	■	■	■	
0.82	824			■	■	■	■	■	■	■	■	■	
1.00	105			■	■	■	■	■	■	■	■	■	■
1.50	155			■	■	■	■	■	■	■	■	■	■
2.20	225			■	■	■	■	■	■	■	■	■	■

## Monolithic Construction



## Case Size



## Size Code And Dimensions: (millimeter)

SIZE CODE	L	D	LEAD DIA	LEAD LENGTH
A15	3.81 Max.	2.54 Max.	0.50	25.4
A20	5.08 Max.	3.81 Max.	0.50	25.4

## Axial Forming Type:

Our axial-leaded capacitors can be supplied in forming type. Which can only be in bulk package. 1.000pcs per bag.

The dimensions are illustrated as the following:

### LEAD SPACING

5=5.08mm  
6=6.35mm

TOL: +/- [0.8mm]

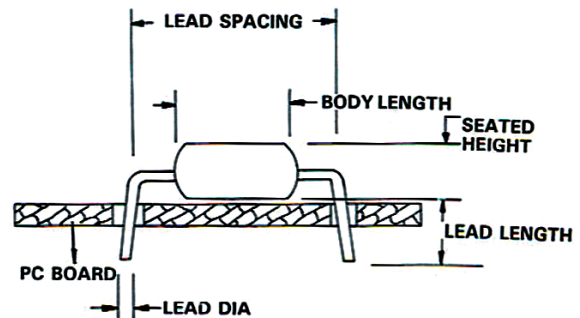
7=7.62mm  
8=8.90mm

### LEAD LENGTH

4=4.0mm  
5=5.0mm  
6=6.0mm  
7=7.0mm  
8=8.0mm  
9=9.0mm

TOL: +/- [0.8mm]

O=10.0mm  
C=4.50mm  
D=6.50mm  
E=6.50mm  
F=7.50mm  
G=8.50mm



## Marking

- First line marked the Capacitance value.
- Second line marked the TOL. WVDC. & T.C.
- TOL : J=±5%, K=±10%, M=±20%, Z=+80/-20%.
- WVDC : 2=25V, 5=50V, A=100V, B=200V.
- T.C.: N=NPO[COG], X=X7R, Z=Z5U

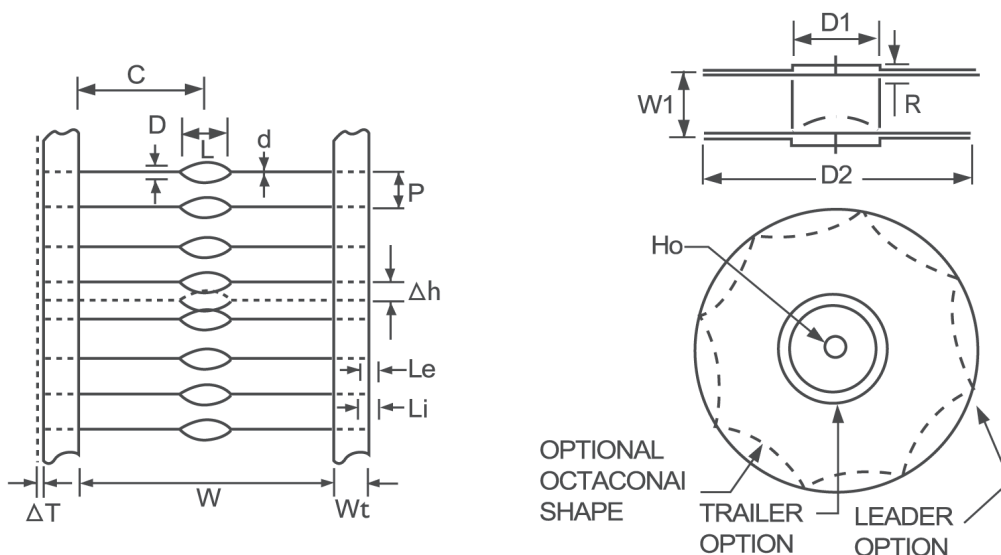


SIZE CODE	Capacitance	Tolerance	Rated. Voltage	Temp. Char.
A15	√	-	-	-
A20	√	√	√	√

## Axial Tape & Reel:

Our axial-leaded capacitors can be supplied taped and reeled. A 12 inch leader of tape starts and ends each reel. A layer of 50/60lb.Kraft paper separates each layer of components and a layer of corrugated cardboard over the last layer protects the contents of the reel. Reels are to EIA standards [RS-296E Class. I. Level I]

Dimensions: (millimeter)



Dimensions: (unit mm)

Description	Symbol	Dimensions	Description	Symbol	Dimensions
Pitch of Component	P	5.08±0.51	Centered	C	26.2±0.76
Cumulative Tolerance of P over 5 consecutive units		±0.15	Core Diameter	D1	34.90-92.10
Tape width	Wt	6.0±1.0	Reel Diameter	D2	360MAX
Lead Wire Protrusion	Le	1.57MAX	Core Width	W1	69.85±1.52
Lead Extension into Tape	Li	3.96MAX	Recess Depth	R	9.5MIN
Offset Between Tapes	ΔT	0.8MAX	Arbor Hole	Ho	15.5 – 18.0
Width Between Tapes	W	52.4±1.5	Deflection from Nominal position	Δh	1.2MAX

## Packaging Quantity

Size Code	Taping Type		Bulk Type
	Quantity per reel	Quantity per box	Quantity per bag
A15	10,000	5,000	1,000
A20	8,000	4,000	1,000