
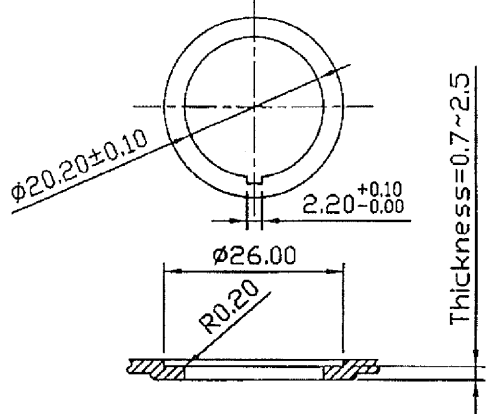


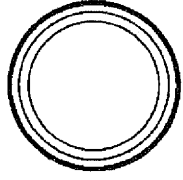
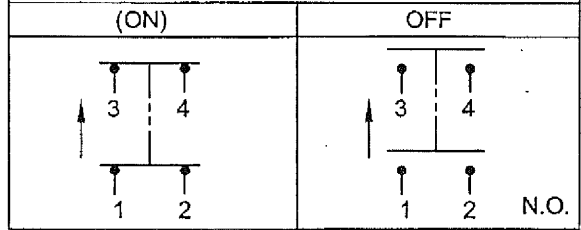
Rating	10A 125V, 6A 250V AC 1/2HP 125/250VAC		Mounting Hole
	20A 14VDC, 10A 28VDC		
Contact Resistance	50m ohm Max.		
Insulation Resistance	DC 500V 100M ohm Min.		
Dielectric Strength	AC 1500V 1 minute		
Operation Temperature	-25°C ~ 85°C		
Switch Function	4P DPST (ON)-OFF		



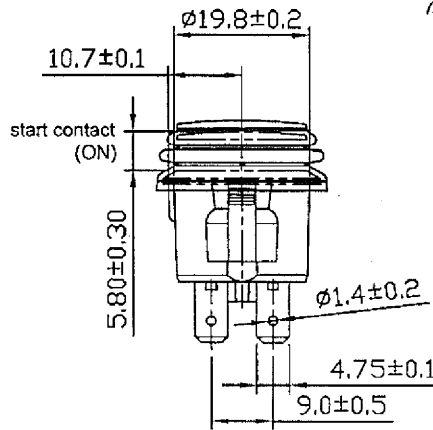
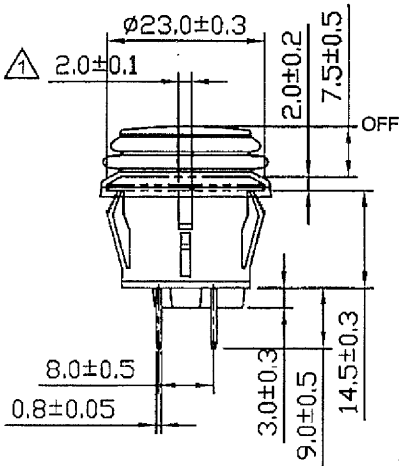
***MATERIAL:**
 Frame: Black, Nylon 66 (94-V2)
 Actuator: Black, PC (94-V2)
 Terminals: Silver plated, Copper alloy
 Waterproof Rubber: Black, Silicone
 Printed: None



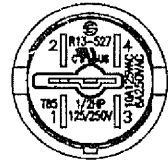
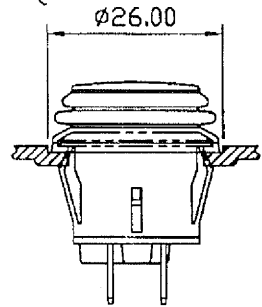
Circuit Diagram



Full travel: 4.5mm



原稿
 10/10/11



C81R13\13-527A-02(1830627)_1

05/30/11	曹盈芳	更正圖面尺寸, 原20更正為2.0						
Date	Name	Description						NO
Drawn	Checked	Approved	SCI BOM NO.	1830627	Model Name	PUSH SWITCH		
曹盈芳		<i>[Signature]</i>	Customer No.		Model No.	R13-527A-02		Rev.
05/30/11		6/2/11	Unit	mm	Shin Chin Industrial Co., Ltd.			1