

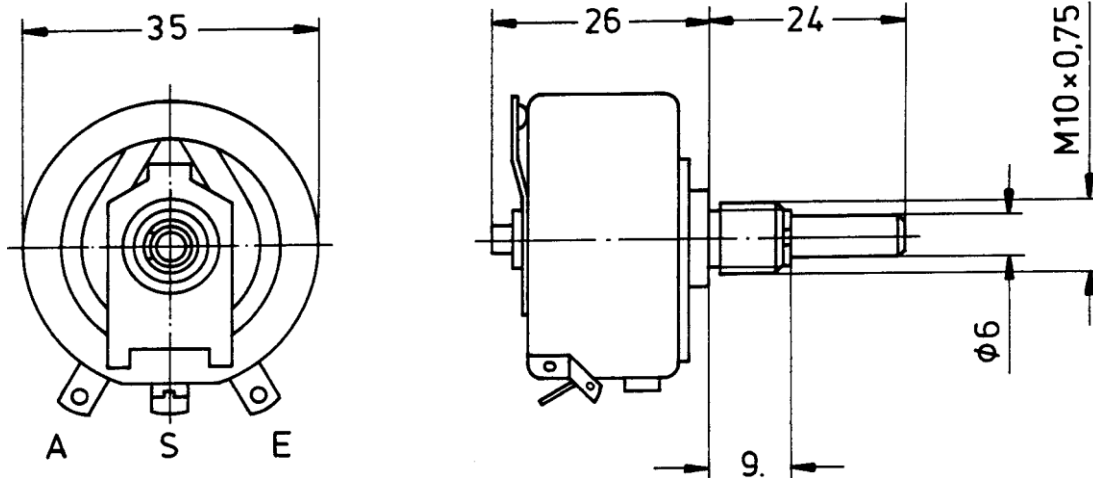
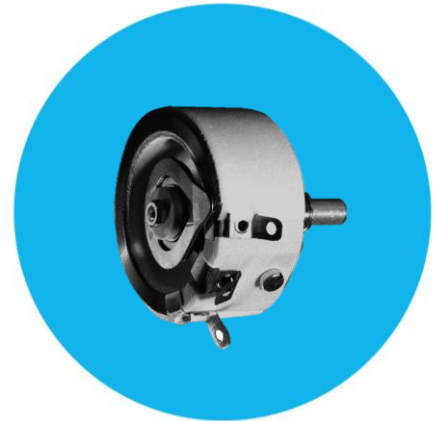
Heavy duty wirewound potentiometers

Series 10 W

Type 10 W

Ordering code no.: 31 210

Basic design: high load, nominal width 35 mm, solder tag terminals



Technical data

Rated resistance range	4.7 Ω - 4.7 kΩ *	Isolation voltage	2000 V eff
Resistance tolerance	± 10 %, (5 % , 2 %)	Electrical travel	250°
Law (resistance taper)	lin, lg on request	Mechanical travel	266°
Rated dissipation	10 W / 40 °C	Weight	approx. 50 g / piece

*higher values on request