

Model P09x
9mm Rotary Potentiometer
Multi – Ganged
Conductive Plastic Element
100,000 Cycle Life
Metal shaft / Bushing
Switch / Push-Lock Option
RoHS Compliant



MODEL STYLES

Side Adjust, PCB pins, up to 8 gangs	P09xN
Side Adjust, PCB pins, up to 8 gangs, with Switch	P09xS
Top Adjust, PCB pins, up to 2 gangs	P09x5N
Side Adjust, PCB pins, with Push-Lock, up to 2 gangs	P09xP

ELECTRICAL¹

Resistance Range, Ohms	1K-500K
Standard Resistance Tolerance	± 20%
Residual Resistance	20 ohms max.
Input Voltage, maximum	50 Vac max.
Power rating, Watts	Taper B: 0.05W Other Tapers: .025W
Dielectric Strength	300Vac, 1 minute
Insulation Resistance, Minimum	100M ohms at 250Vdc
Sliding Noise	100mV max.
Gang Error (Multi-ganged)	-40dB – 0dB, ±3dB
Actual Electrical Travel, Nominal	260°
Switch Contact Resistance	< 100 milliohms
Switch Power Rated	3.0A at 16Vdc

MECHANICAL

Total Mechanical Travel	300°± 10°
Static Stop Strength	50 oz-in
Rotational Torque, Maximum	2.5 oz-in
Switch Rotational Angle, Maximum	50°

¹ Specifications subject to change without notice.



Model P09x

ENVIRONMENTAL

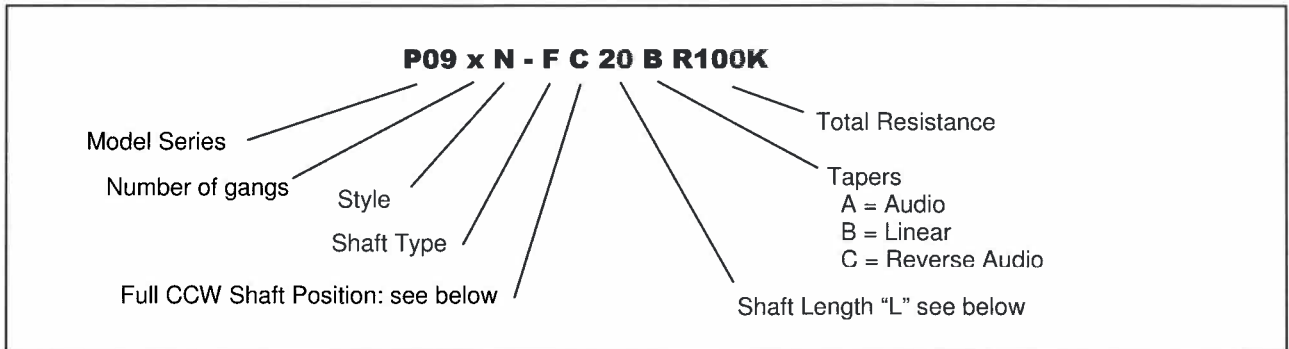
Operating Temperature Range

-10°C to +70°C

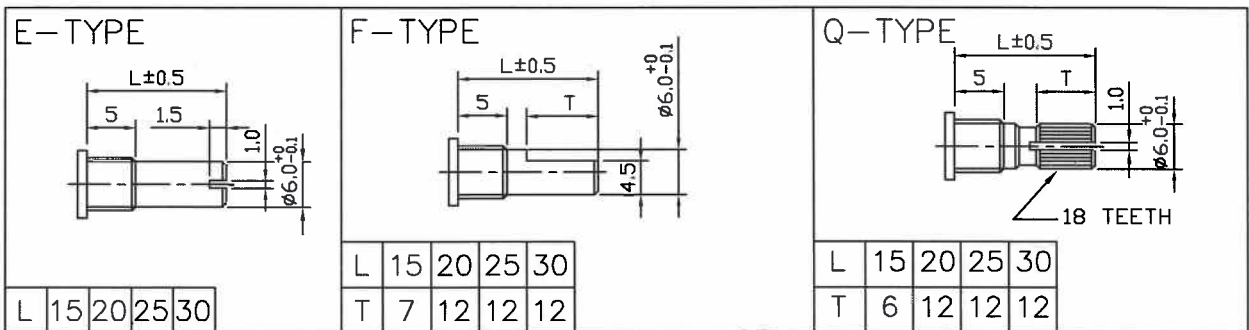
Rotational Life

100,000 cycles

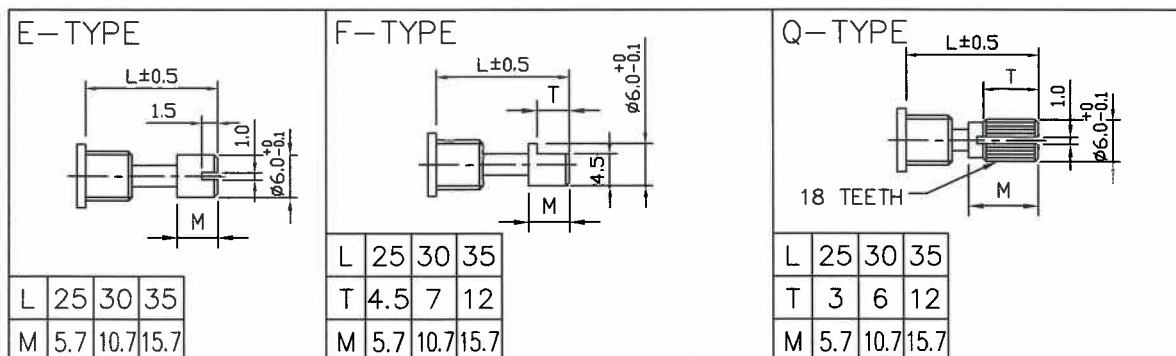
ORDERING INFORMATION²



Shaft Types (P09xN, P09xS, P09x5N)



Shaft Types for Push-Lock (P09xP)



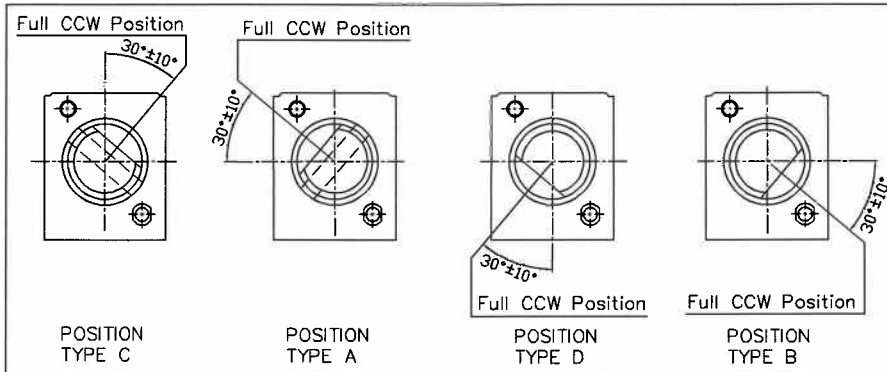
² Contact our customer service for custom designs and features.



Model P09x

Shaft Position (F-Type Shaft)

Dashed lines on Type "C" and Type "A" shows position of adjustment slot for E-Type and Q-Type shafts

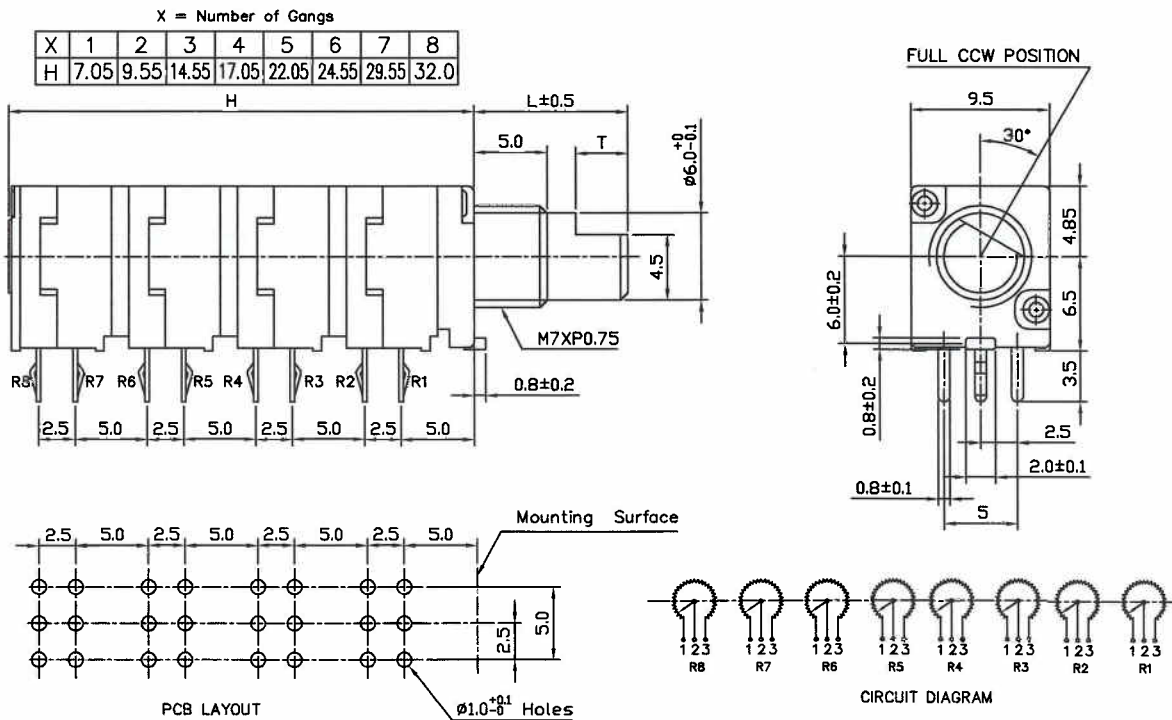


STANDARD RESISTANCE VALUES, OHMS

1K 2K 5K 10K 20K 50K 100K 200K 500K

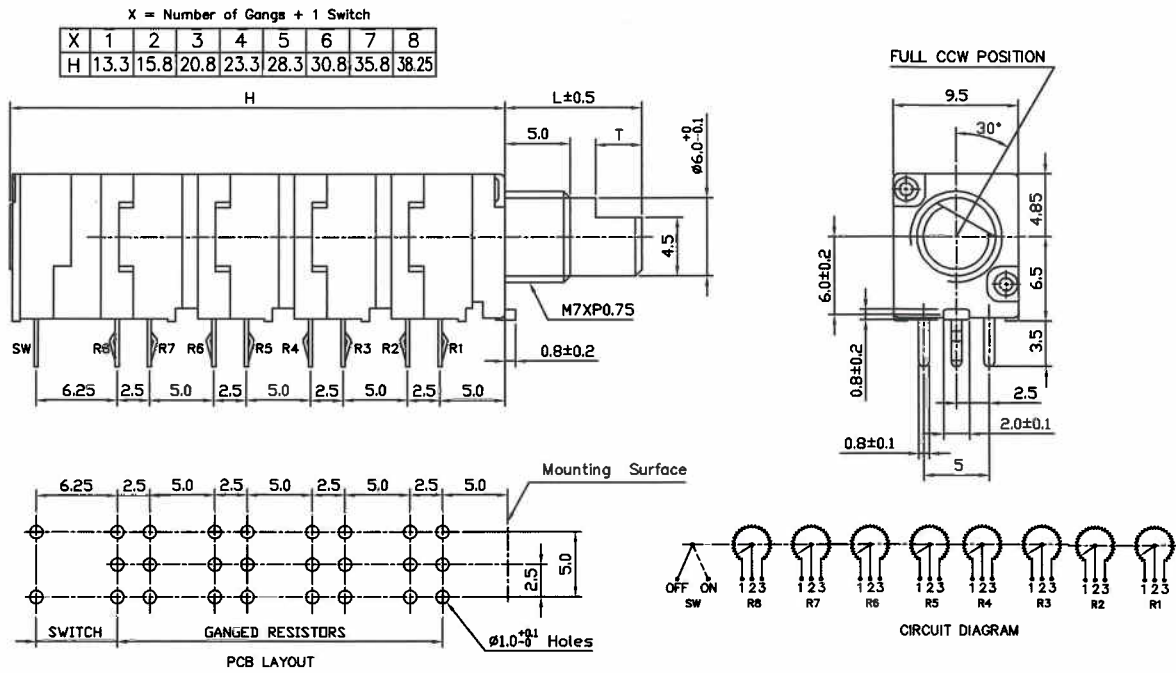
OUTLINE DRAWING

Model P09xN (Side Adjust, PCB pins, up to 8 gangs)

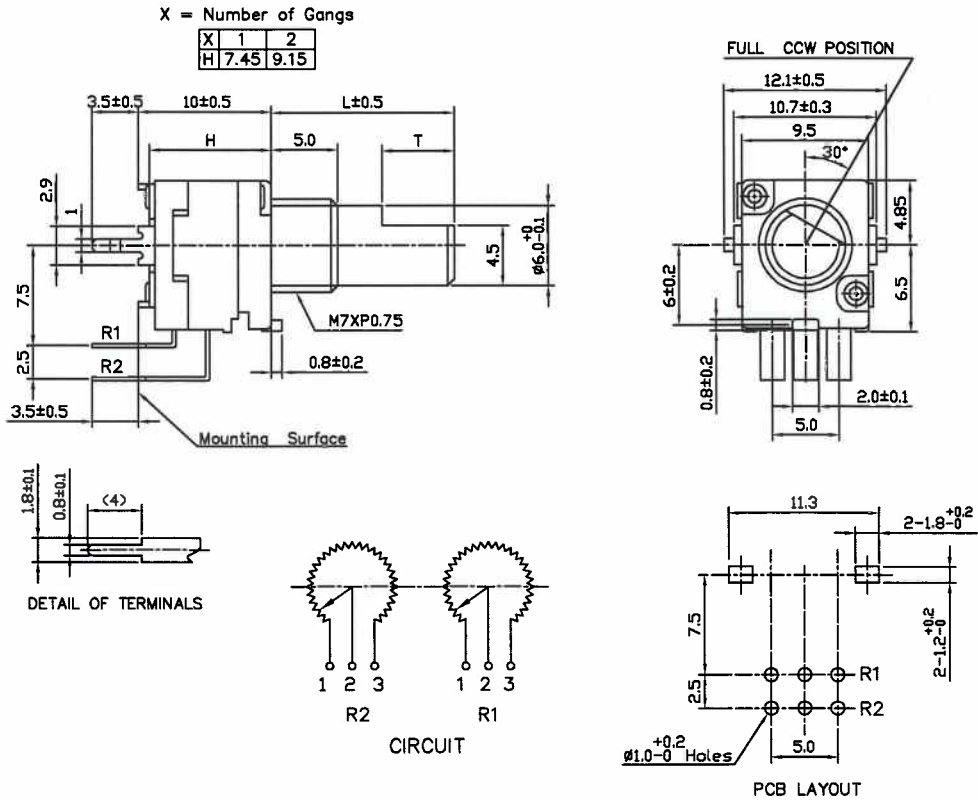


Model P09x

Model P09xS (Side Adjust, PCB pins, up to 8 gangs, with Switch)



Model P09x5N (Top Adjust, PCB pins, up to 2 gangs)



Model P09x

Model P09xP (Side Adjust, PCB pins, with Push-Lock, up to 2 gangs)

