

# Electronic housing - ME 45 OT-MSTBO GN - 2909743

Please be informed that the data shown in this PDF Document is generated from our Online Catalog. Please find the complete data in the user's documentation. Our General Terms of Use for Downloads are valid (<http://download.phoenixcontact.com>)



Upper part of housing, double-level, for COMBICON connection, housing width: 45 mm

Illustration shows a fully mounted version of the electronic housing

## Product Features

- Tool-free mounting
- ME...TBUS connector with 5 parallel contacts can be snapped onto DIN rails to save space
- Large assembly area
- Gold contacts for data transmission and power supply (125 V, 8 A)
- Low design width with a high number of positions
- When a device is unplugged from the system as a whole, the signal chain is not interrupted# Supply via standard MINI COMBICON plug
- Same PCB geometry for all design widths
- Recessed labeling areas
- Inflammability class V0 according to UL 94
- Fast mounting on DIN rails according to EN 60715
- Cost savings thanks to easy device production
- Material and part identification embossed on the housing (recyclability)
- Electronic components can be partially removed
- Functional earth ground contact (EMC) integrated in the housing base
- Optional BUS connection integrated in the housing, for either parallel or serial contacting
- Metal foot catch

## Key commercial data

<b>package_quantity</b>	10
<b>GTIN</b>	4017918164232

## Technical data

### General

<b>Housing type</b>	Upper part
<b>Housing material</b>	PA 6.6
<b>Color</b>	green

### Ambient conditions

<b>Ambient temperature (operation)</b>	-40 °C ... 105 °C
----------------------------------------	-------------------

# Electronic housing - ME 45 OT-MSTBO GN - 2909743

## Technical data

### Dimensions

<b>Length</b>	99 mm
<b>Constructional height</b>	38.5 mm
<b>Width</b>	45 mm

### Technical data

<b>Inflammability class according to UL 94</b>	V0
<b>Number of positions</b>	32
<b>Number of positions</b>	48

## classifications

### eCl@ss

<b>eCl@ss 4.0</b>	27180401
<b>eCl@ss 4.1</b>	27180401
<b>eCl@ss 5.0</b>	27180506
<b>eCl@ss 5.1</b>	27180506
<b>eCl@ss 6.0</b>	27180802
<b>eCl@ss 7.0</b>	27182702
<b>eCl@ss 8.0</b>	27182702

### ETIM

<b>ETIM 2.0</b>	EC001031
<b>ETIM 3.0</b>	EC001031
<b>ETIM 4.0</b>	EC001031
<b>ETIM 5.0</b>	EC000886

### UNSPSC

<b>UNSPSC 6.01</b>	31261501
<b>UNSPSC 7.0901</b>	31261501
<b>UNSPSC 11</b>	31261501
<b>UNSPSC 12.01</b>	31261501
<b>UNSPSC 13.2</b>	31261501

## approvals

UL Recognized /

### Approval details



# Electronic housing - ME 45 OT-MSTBO GN - 2909743

accessories

## Mounting material

ME DH36 NS 35 - 2909895



ME DH27 NS 35 - 2908760



ME-SAS - 2853899



## Component housing upper part

ME 45 OT-MKDSO GN - 2909390



## Printed circuit board terminal

MKDSO 2,5/ 4-R - 1707247



## Electronic housing - ME 45 OT-MSTBO GN - 2909743

### accessories

MKDSO 2,5/ 4-L - 1707234



---

### PCB plug

FKCT 2,5/ 4-ST - 1909236



MSTBT 2,5/ 4-ST - 1779851



---

### Printed circuit board housing

MSTBO 2,5/ 4-G1R - 1861073



MSTBO 2,5/ 4-G1L - 1861060



---

### Filler plug

## Electronic housing - ME 45 OT-MSTBO GN - 2909743

### accessories

ME B-22,5 MSTBO GN - 2907156



ME B-22,5 MKDSO GN - 2907143



ME B-SA/NS 35 - 2935959



ME B-KA - 2854173



### accessories

MCVR 1,5/ 5-ST-3,81 AU - 1893203



# Electronic housing - ME 45 OT-MSTBO GN - 2909743

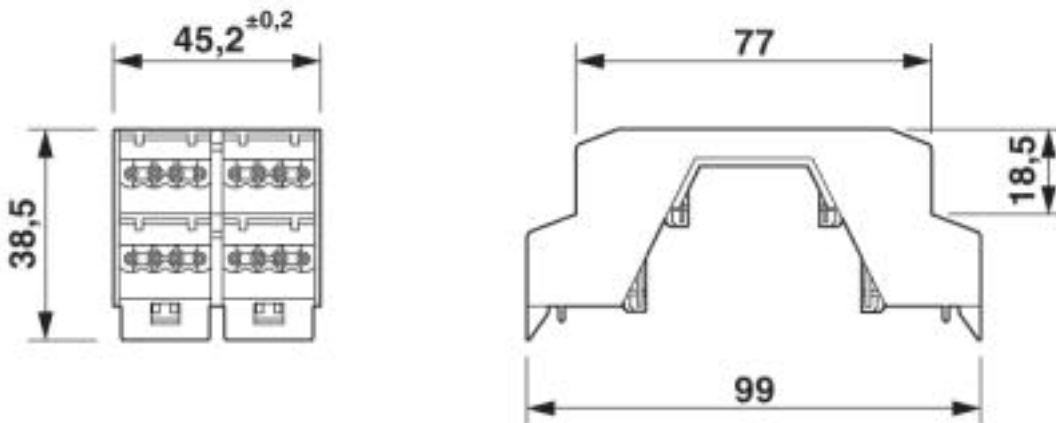
accessories

MCVR 1,5/10-ST-3,81 AU - 1893216

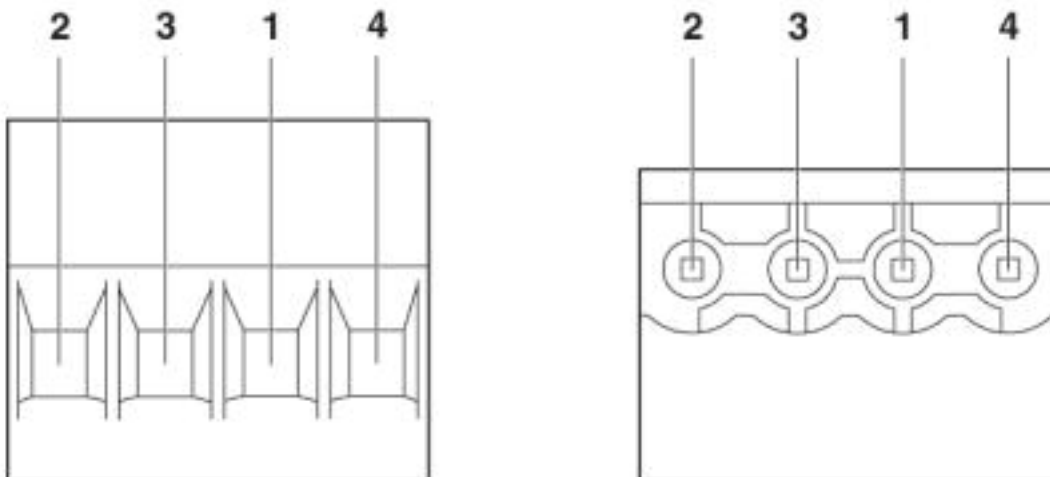


## Drawings

Dimensioned drawing



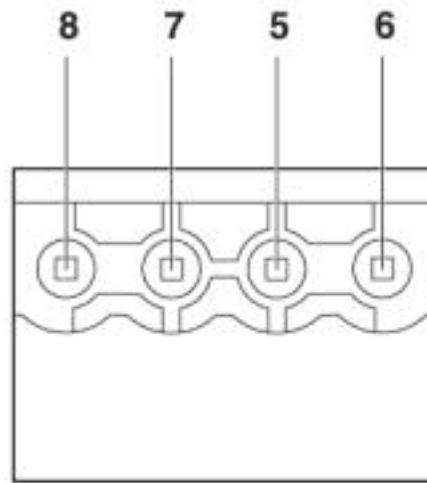
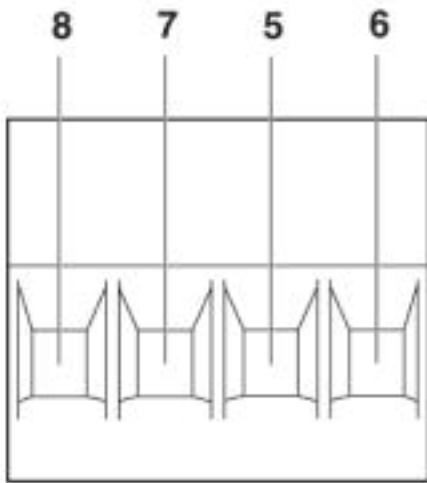
Schematic diagram



Pin assignment left

## Electronic housing - ME 45 OT-MSTBO GN - 2909743

Schematic diagram



Pin assignment right

© Phoenix Contact 2013 - all rights reserved  
<http://www.phoenixcontact.com>