

Electronic housing - UEG 30/2 - 2790240

Please be informed that the data shown in this PDF Document is generated from our Online Catalog. Please find the complete data in the user's documentation. Our General Terms of Use for Downloads are valid (<http://download.phoenixcontact.com>)



Electronic housing, for two PCBs, fully equipped with 8 screw or tab connections per side

The illustration shows version UEG 30/1

Product Features

- Universal P1-UEG... PCBs are available for laboratory samples and small series
- Cost-effective series production, since the base element and the assembled PCB are soldered by machine
- Up to 16 connections on two levels
- Can be snapped onto standard NS 35/7,5 and NS 35/15 DIN rails
- Installation of one or two PCBs in the housing
- Efficient assembly thanks to overlapping housing parts

Key commercial data

package_quantity	10
GTIN	4017918072315

Technical data

General

Housing type	Complete housing
Housing material	Polyamide (PA 6.6)
Color	green

Ambient conditions

Ambient temperature (operation)	-40 °C ... 105 °C
--	-------------------

Dimensions

Length	79.5 mm
Constructional height	70 mm
Width	30 mm
Pitch	5 mm

Technical data

Inflammability class according to UL 94	V0
Power dissipation at 20°C in the horizontal mounting position	4 W 7.2 W
Number of positions	16

Connection data

Electronic housing - UEG 30/2 - 2790240

Technical data

Connection data

Conductor cross section solid min.	0.2 mm ²
Conductor cross section solid max.	4 mm ²
Conductor cross section stranded min.	0.2 mm ²
Conductor cross section stranded max.	2.5 mm ²
Conductor cross section AWG/kcmil min.	24
Conductor cross section AWG/kcmil max	12
Stripping length	8 mm

classifications

eCl@ss

eCl@ss 4.0	27180401
eCl@ss 4.1	27180401
eCl@ss 5.0	27180506
eCl@ss 5.1	27180506
eCl@ss 6.0	27180802
eCl@ss 7.0	27182702
eCl@ss 8.0	27182702

ETIM

ETIM 2.0	EC001031
ETIM 3.0	EC001031
ETIM 4.0	EC001031
ETIM 5.0	EC001031

UNSPSC

UNSPSC 6.01	31261501
UNSPSC 7.0901	31261501
UNSPSC 11	31261501
UNSPSC 12.01	31261501
UNSPSC 13.2	31261501

approvals

GOST / GOST /

Approval details



Electronic housing - UEG 30/2 - 2790240

approvals



accessories

Bridge

DB 50- 90 GY - 2820929



accessories

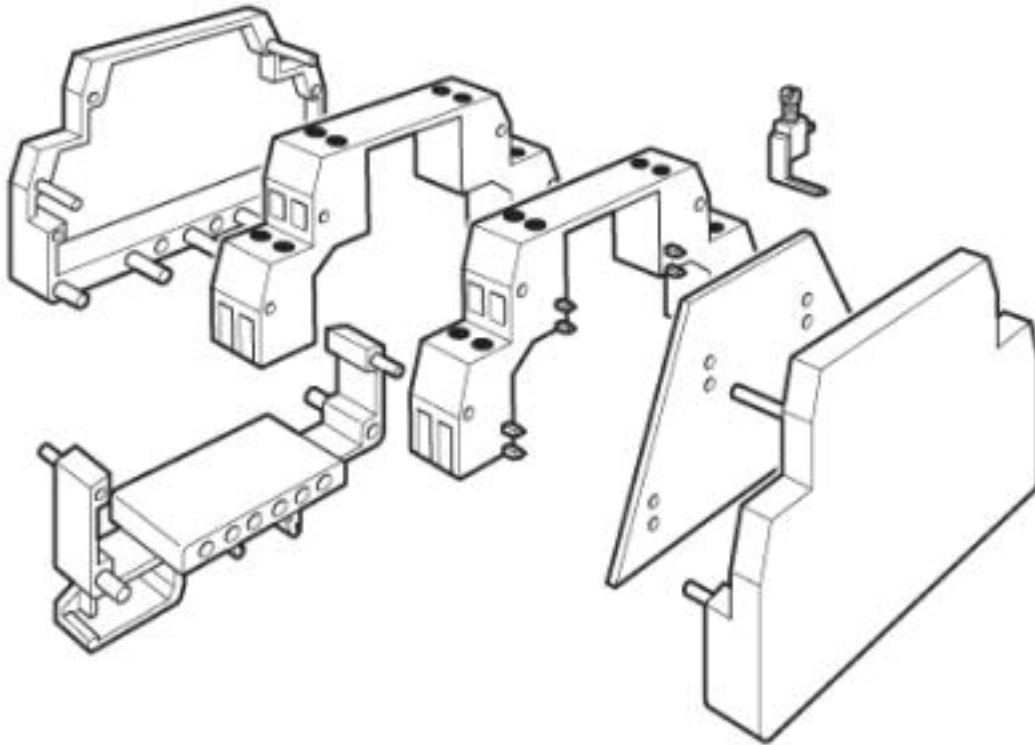
-

-

Drawings

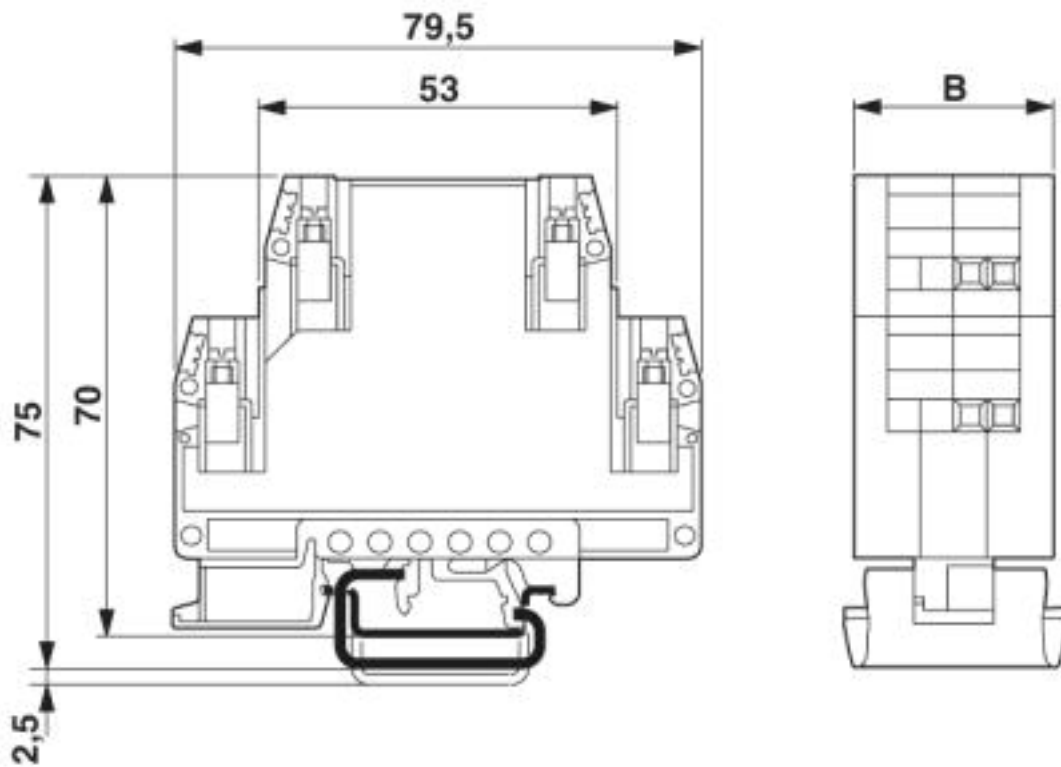
Electronic housing - UEG 30/2 - 2790240

Explosion drawing



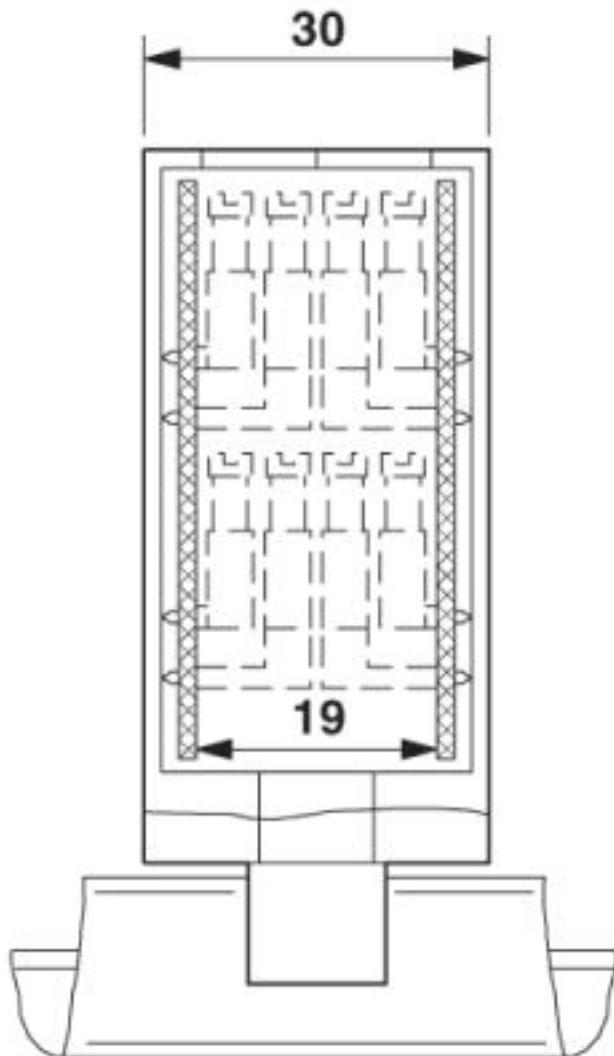
Electronic housing - UEG 30/2 - 2790240

Dimensioned drawing



Electronic housing - UEG 30/2 - 2790240

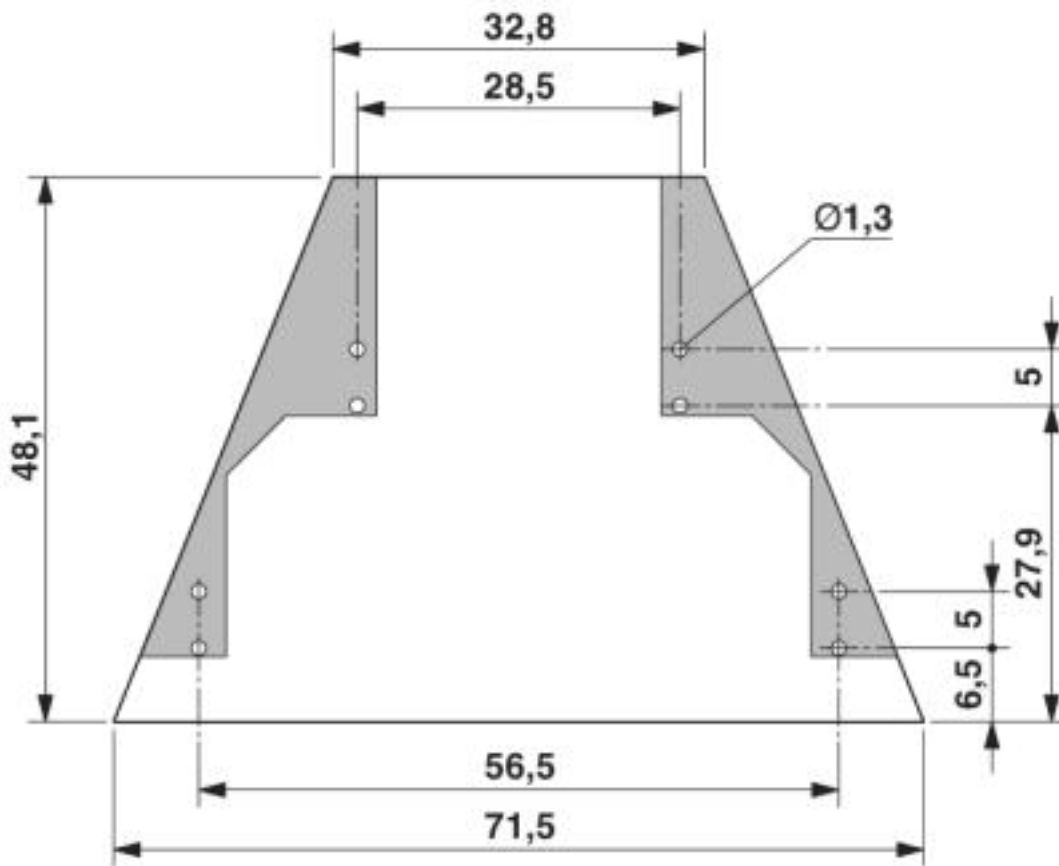
Dimensioned drawing



UEG 30/2, enlarged internal area, with 2 PCBs arranged as mirror image, up to max. 16 pos.

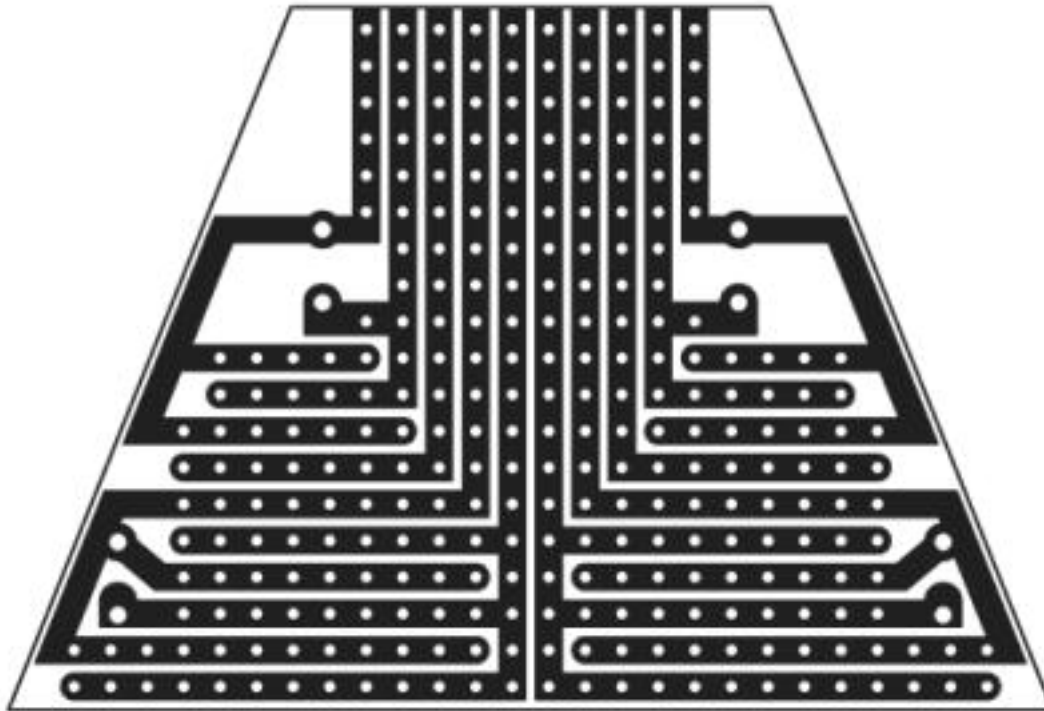
Electronic housing - UEG 30/2 - 2790240

Dimensioned drawing



Electronic housing - UEG 30/2 - 2790240

Schematic diagram



© Phoenix Contact 2013 - all rights reserved
<http://www.phoenixcontact.com>