

Electronic housing - UEGM 40/1 - 2792112

Please be informed that the data shown in this PDF Document is generated from our Online Catalog. Please find the complete data in the user's documentation. Our General Terms of Use for Downloads are valid (<http://download.phoenixcontact.com>)



Electronic housing, for PCB insertion, fully equipped with 3 screw or 6 tab connections per side

Product Features

- Cost-effective series production, since the base element and the assembled PCB are soldered by machine
- Complex electronic circuits can be integrated, with up to 24 connections on two levels
- Efficient assembly thanks to overlapping housing parts
- Can be snapped onto standard NS 35/7,5 and NS 35/15 DIN rails

Key commercial data

package_quantity	10
GTIN	4017918072582

Technical data

General

Housing type	Complete housing
Housing material	Polyamide (PA 6.6)
Color	green

Ambient conditions

Ambient temperature (operation)	-40 °C ... 105 °C
---------------------------------	-------------------

Dimensions

Length	79 mm
Constructional height	85.5 mm
Width	40 mm
Pitch	5 mm

Technical data

Connection in acc. with standard	CUL
Nominal voltage U_N	300 V
Nominal current I_N	10 A
AWG/kcmil	30-12
Indicator1	CUL1
Inflammability class according to UL 94	V0
Power dissipation at 20°C in the horizontal mounting position	5.2 W 11.2 W

Electronic housing - UEGM 40/1 - 2792112

Technical data

Technical data

Number of positions	6
----------------------------	---

Connection data

Conductor cross section solid min.	0.2 mm ²
Conductor cross section solid max.	4 mm ²
Conductor cross section stranded min.	0.2 mm ²
Conductor cross section stranded max.	2.5 mm ²
Conductor cross section AWG/kcmil min.	24
Conductor cross section AWG/kcmil max	12
Stripping length	8 mm

classifications

eCl@ss

eCl@ss 4.0	27180401
eCl@ss 4.1	27180401
eCl@ss 5.0	27180506
eCl@ss 5.1	27180506
eCl@ss 6.0	27180802
eCl@ss 7.0	27182702
eCl@ss 8.0	27182702

ETIM

ETIM 2.0	EC001031
ETIM 3.0	EC001031
ETIM 4.0	EC001031
ETIM 5.0	EC001031

UNSPSC

UNSPSC 6.01	31261501
UNSPSC 7.0901	31261501
UNSPSC 11	31261501
UNSPSC 12.01	31261501
UNSPSC 13.2	31261501

approvals

UL Recognized / cUL Recognized / GOST / GOST / cULus Recognized /

Approval details

Electronic housing - UEGM 40/1 - 2792112

approvals

UL Recognized	
Nominal voltage UN	300 V
Nominal current IN	10 A
mm ² /AWG/kcmil	30-12

cUL Recognized	
Nominal voltage UN	300 V
Nominal current IN	10 A
mm ² /AWG/kcmil	30-12

GOST

--

cULus Recognized

accessories

Bridge

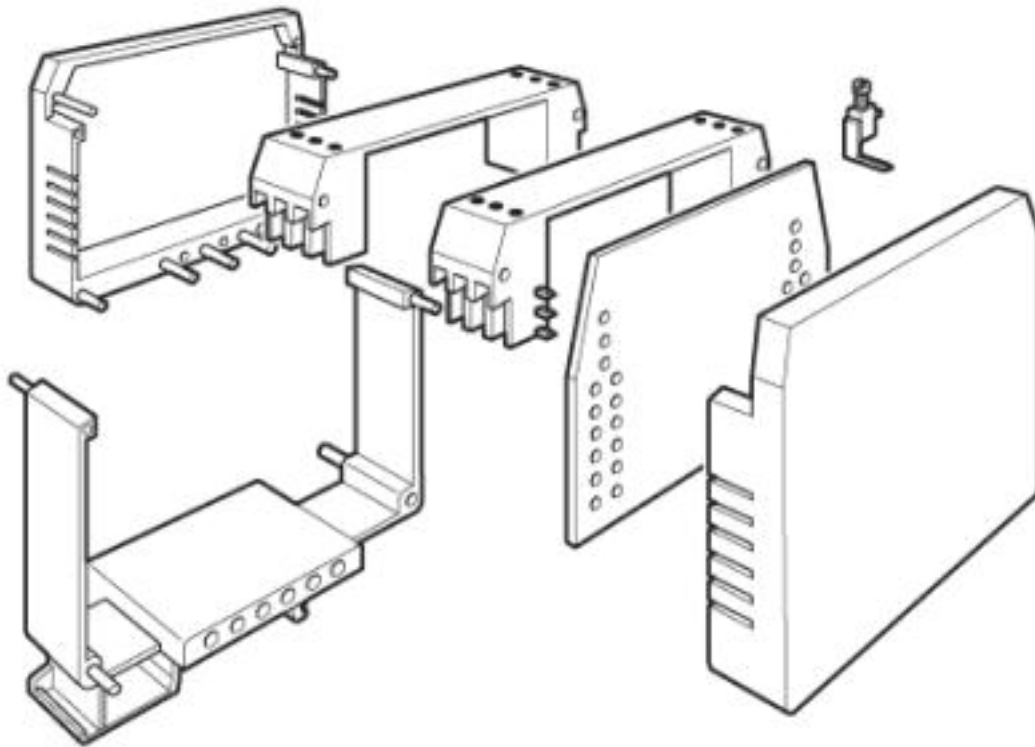
DB 50- 90 GY - 2820929



Drawings

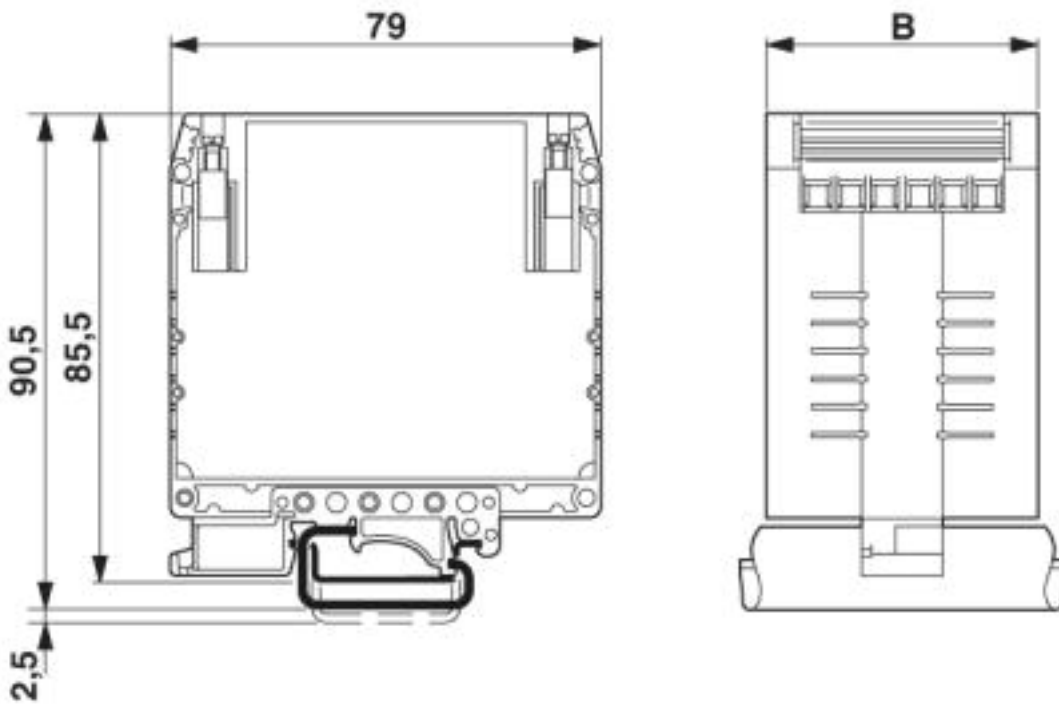
Electronic housing - UEGM 40/1 - 2792112

Explosion drawing



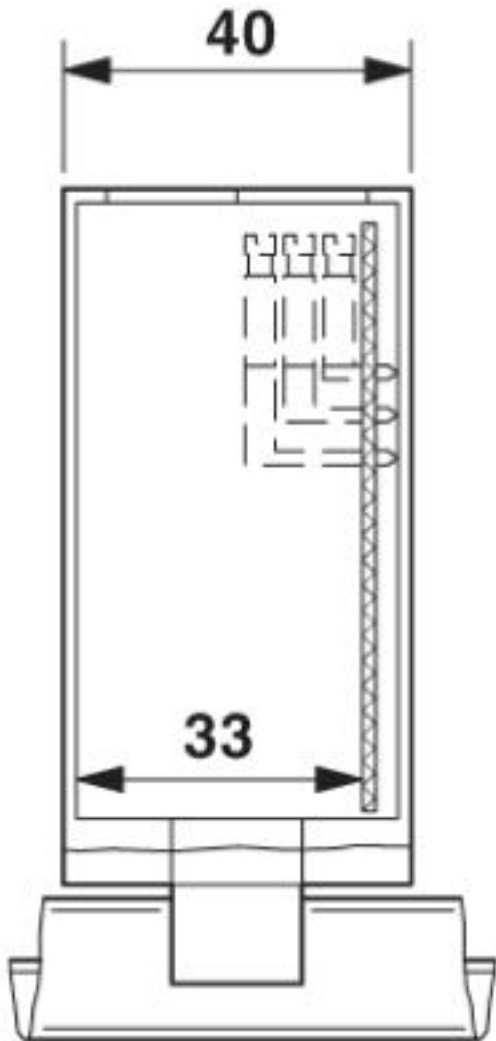
Electronic housing - UEGM 40/1 - 2792112

Dimensioned drawing



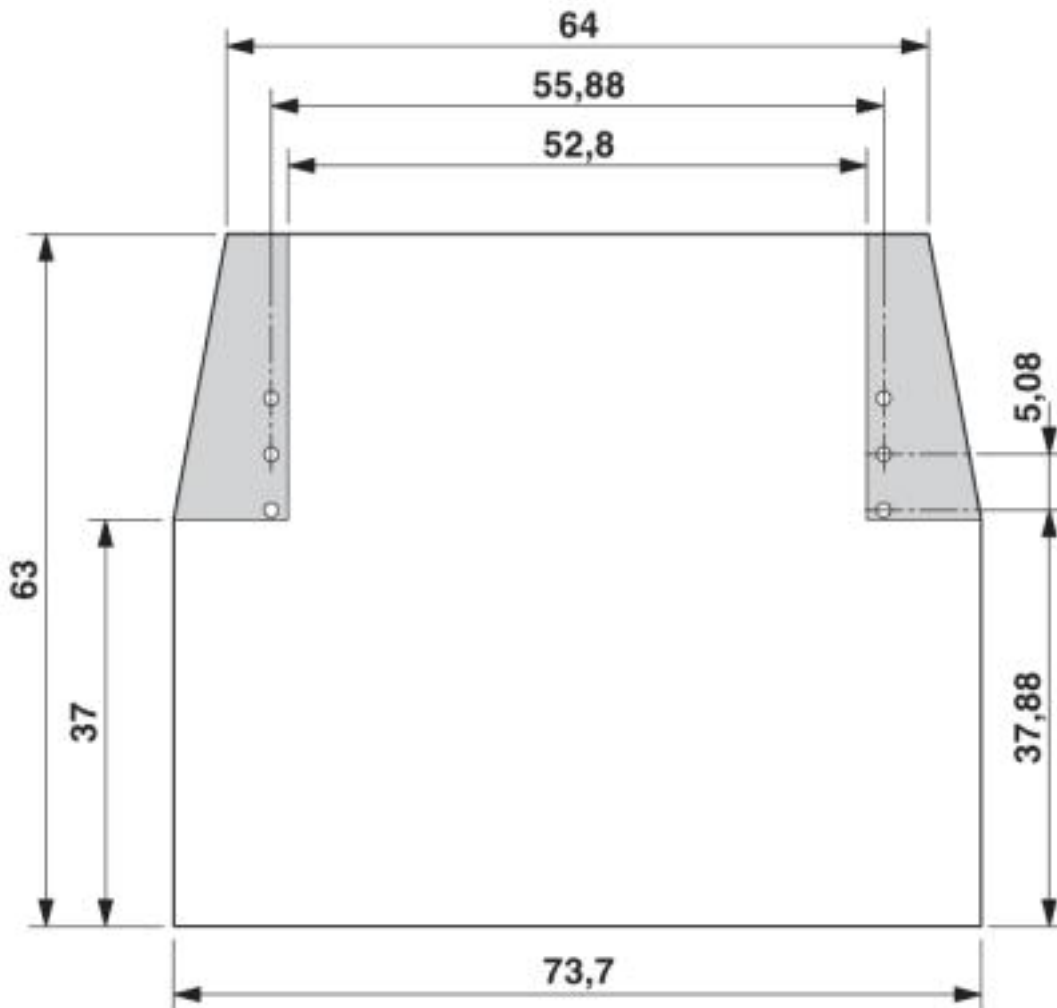
Electronic housing - UEGM 40/1 - 2792112

Dimensioned drawing



Electronic housing - UEGM 40/1 - 2792112

Dimensioned drawing

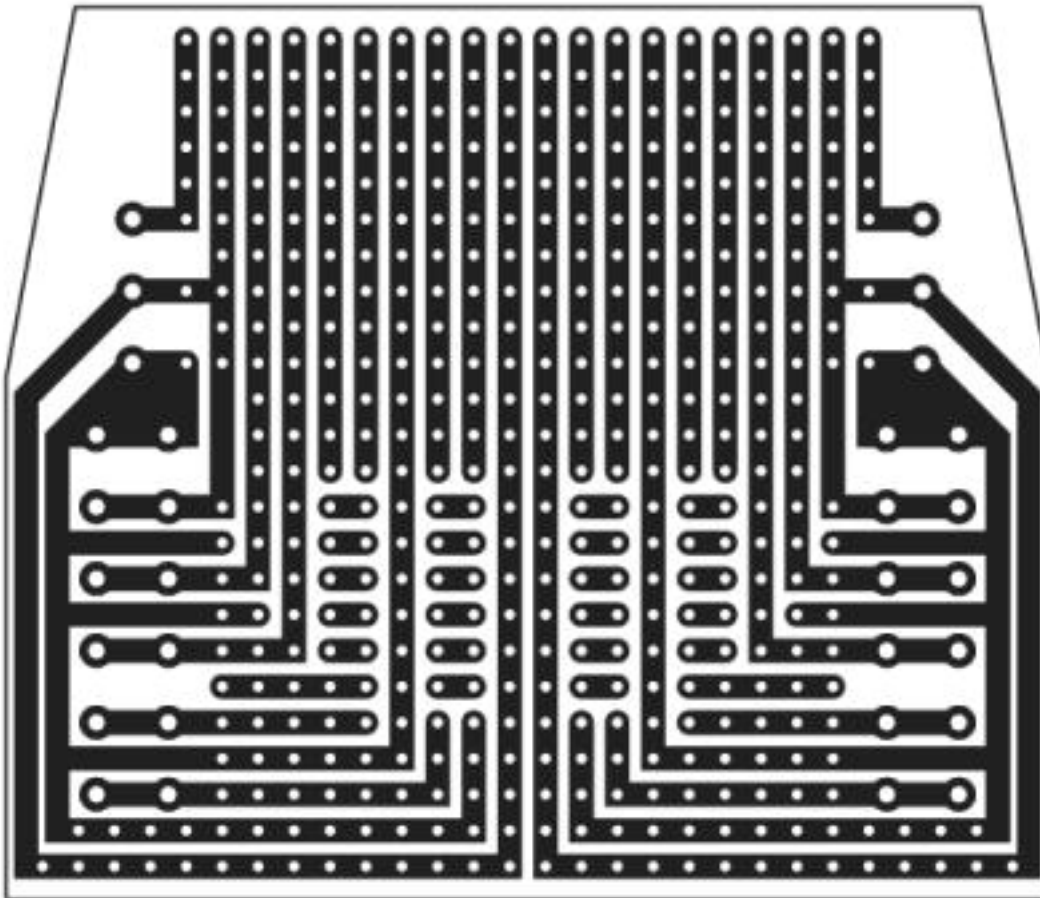


Dimensioned drawing

Soldering side of PCB layout 1 = Overall component area

Electronic housing - UEGM 40/1 - 2792112

Schematic diagram



© Phoenix Contact 2013 - all rights reserved
<http://www.phoenixcontact.com>