

Electronic housing - ME 22,5 UT BU - 2908362

Please be informed that the data shown in this PDF Document is generated from our Online Catalog. Please find the complete data in the user's documentation. Our General Terms of Use for Downloads are valid (<http://download.phoenixcontact.com>)



Lower part of housing, fully assembled, with metal foot catch.

Illustration shows fully mounted versions of the electronic housing, in green

Product Features

- Tool-free mounting
- Low design width with a high number of positions
- Large assembly area
- Same PCB geometry for all design widths
- Recessed labeling areas
- Inflammability class V0 according to UL 94
- Fast mounting on DIN rails according to EN 60715
- Material and part identification embossed on the housing (recyclability)
- Cost savings thanks to easy device production
- Functional earth ground contact (EMC) integrated in the housing base
- Electronic components can be partially removed
- Metal foot catch
- Optional BUS connection integrated in the housing, for either parallel or serial contacting

Key commercial data

package_quantity	100
GTIN	4017918356026

classifications

eCl@ss

eCl@ss 4.0	27180401
eCl@ss 4.1	27180401
eCl@ss 5.0	27180506
eCl@ss 5.1	27180506
eCl@ss 6.0	27180802
eCl@ss 7.0	27182702
eCl@ss 8.0	27182702

ETIM

ETIM 2.0	EC001031
-----------------	----------

Electronic housing - ME 22,5 UT BU - 2908362

classifications

ETIM

ETIM 3.0	EC001031
ETIM 4.0	EC001031
ETIM 5.0	EC001031


UNSPSC


UNSPSC 6.01	31261501
UNSPSC 7.0901	31261501
UNSPSC 11	31261501
UNSPSC 12.01	31261501
UNSPSC 13.2	31261501


approvals

UL Recognized / cUL Recognized / cULus Recognized /

Approval details

UL Recognized 	
Nominal voltage UN	300 V
Nominal current IN	10 A
mm ² /AWG/kcmil	30-12

cUL Recognized 	
Nominal voltage UN	300 V
Nominal current IN	10 A
mm ² /AWG/kcmil	30-12

cULus Recognized 	
---	--

accessories

Coding element

Electronic housing - ME 22,5 UT BU - 2908362

accessories

CR-MSTB - 1734401



CP-MSTB - 1734634



Component housing center part

ME 45 UTM GN - 2853404



ME 45 UTM G GN - 2853417



ME 45 UTM GN - 2853404



Mounting material

Electronic housing - ME 22,5 UT BU - 2908362

accessories

ME-SAS - 2853899



ME LPZS - 2906911



ME MF 17,5 - 2908281



ME-SAS - 2853899



ME LPZS - 2906911



ME MF 17,5 - 2908281

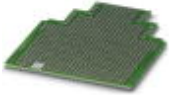


Electronic housing - ME 22,5 UT BU - 2908362

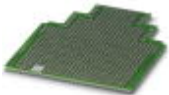
accessories

PCB

ME LP - 2906908



ME LP - 2906908



Ground contact

ME FE-CONTACT - 2908294



ME FE-CONTACT - 2908294



Printed circuit board terminal

MKDSO 2,5/ 4-R - 1707247



Electronic housing - ME 22,5 UT BU - 2908362

accessories

Filler plug

ME B-22,5 MKDSO GN - 2907143



accessories

ME B-22,5 MSTBO BU - 2907813

ME B-22,5 MKDSO BU - 2908359

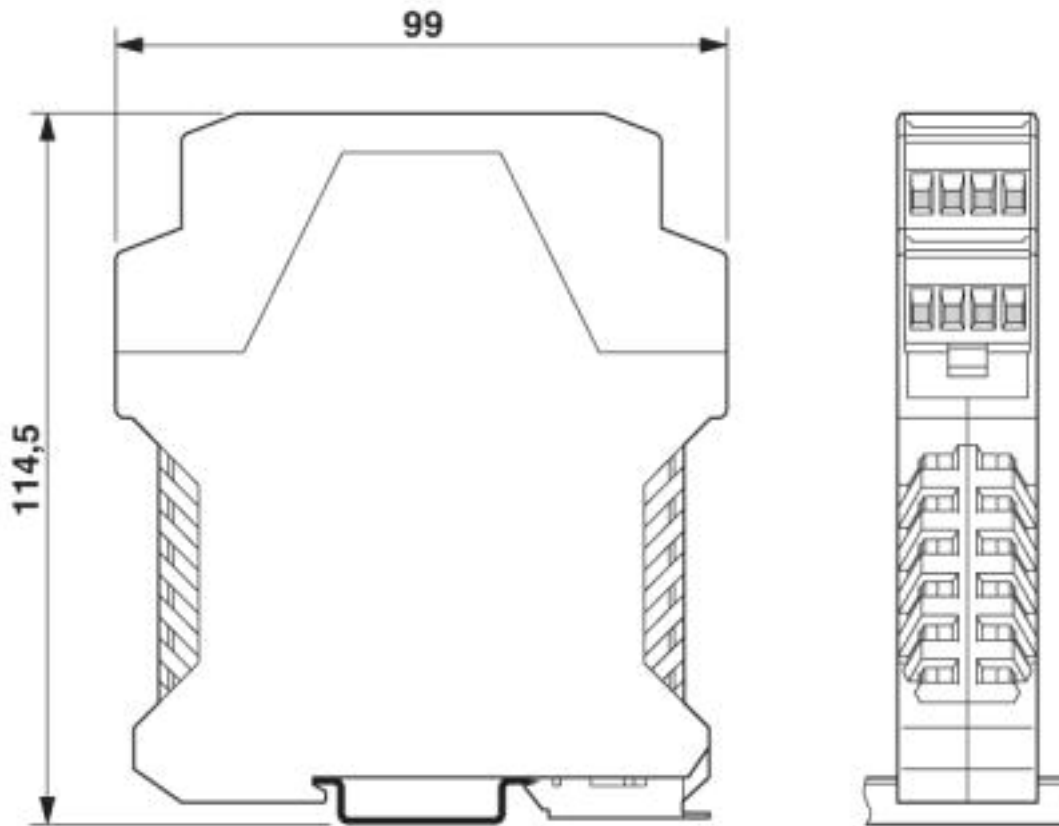
MKDSO 2,5/ 4-L BU - 2908032

MKDSO 2,5/ 4-R BU - 2908045

Drawings

Electronic housing - ME 22,5 UT BU - 2908362

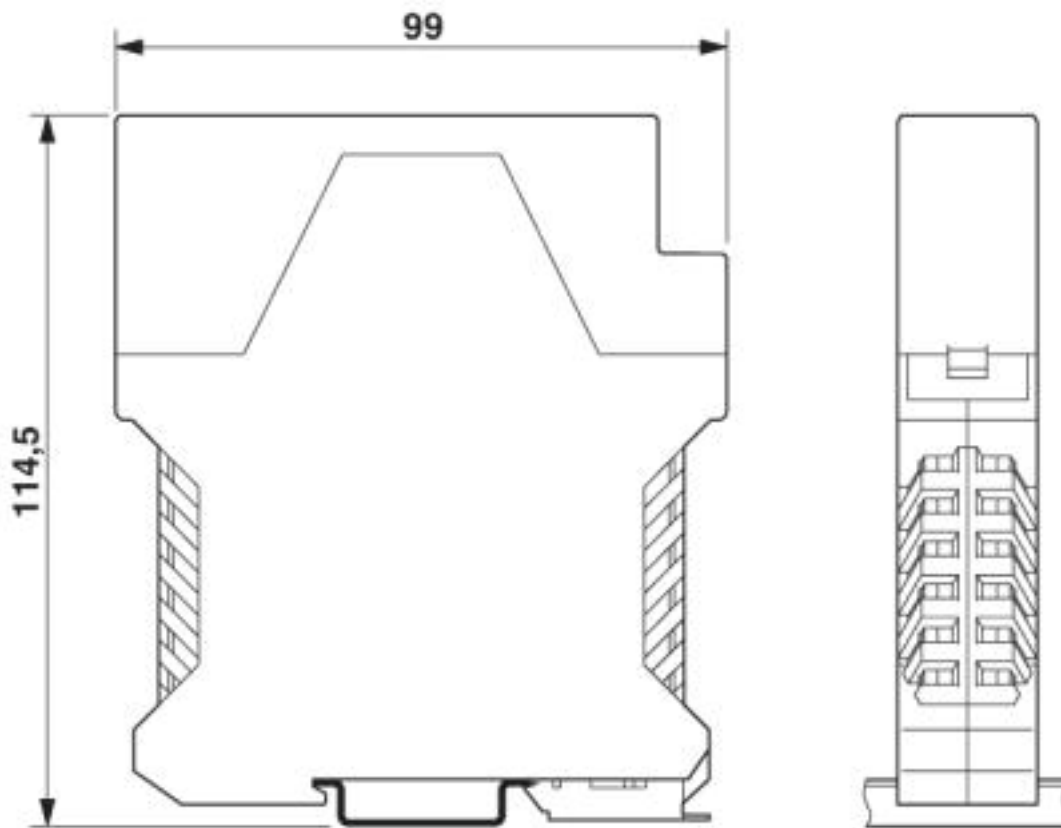
Dimensioned drawing



Dimensions of the electronic housing ME... with double-level upper part

Electronic housing - ME 22,5 UT BU - 2908362

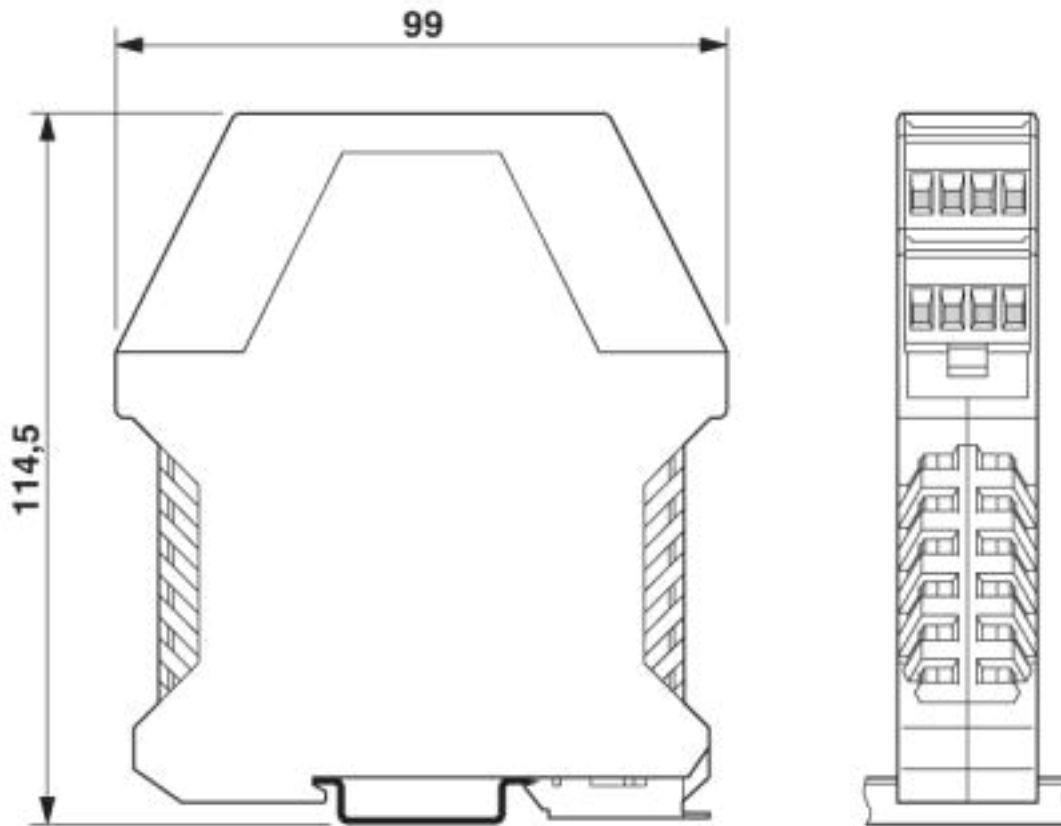
Dimensioned drawing



Dimensions of the electronic housing ME... with single-level upper part

Electronic housing - ME 22,5 UT BU - 2908362

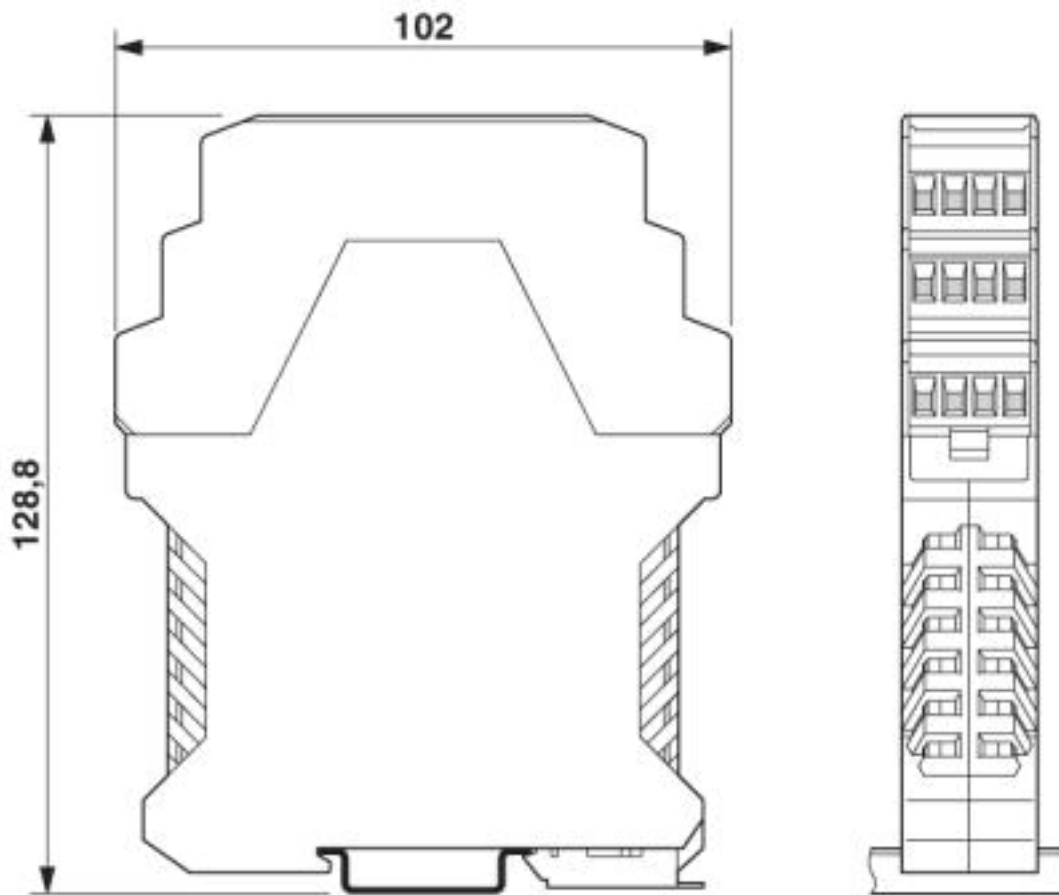
Dimensioned drawing



Dimensions of the electronic housing ME... with double-level upper part

Electronic housing - ME 22,5 UT BU - 2908362

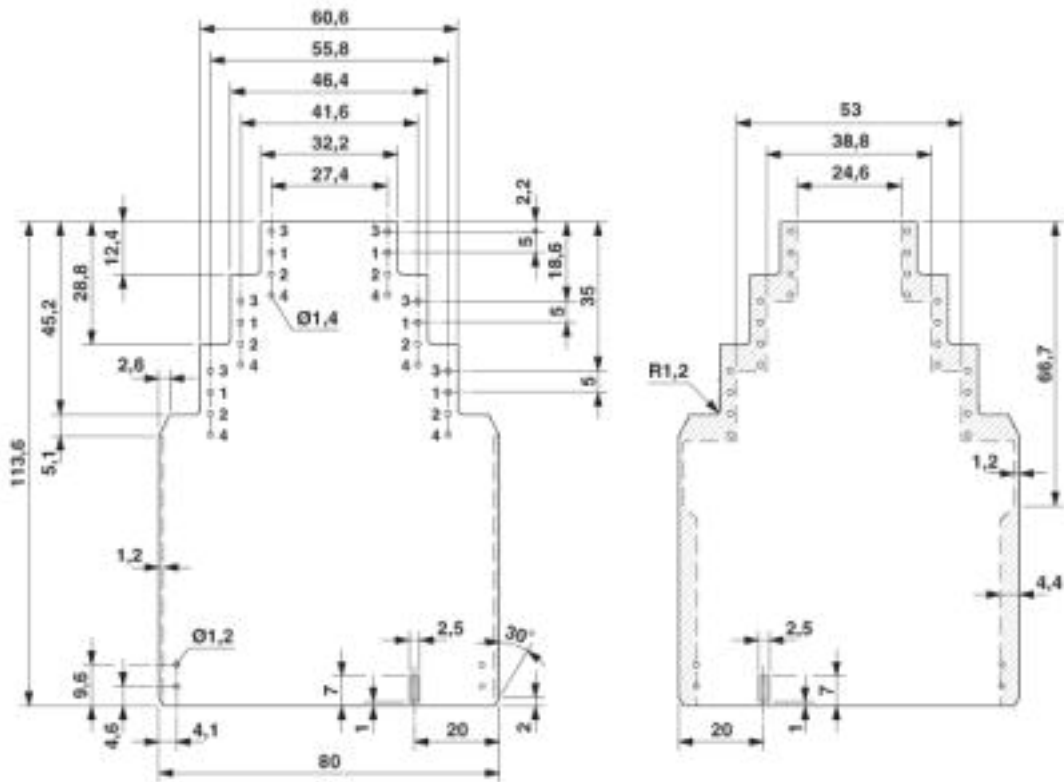
Dimensioned drawing



Dimensional drawing of the ME... printed circuit board if the triple-level upper part is used

Electronic housing - ME 22,5 UT BU - 2908362

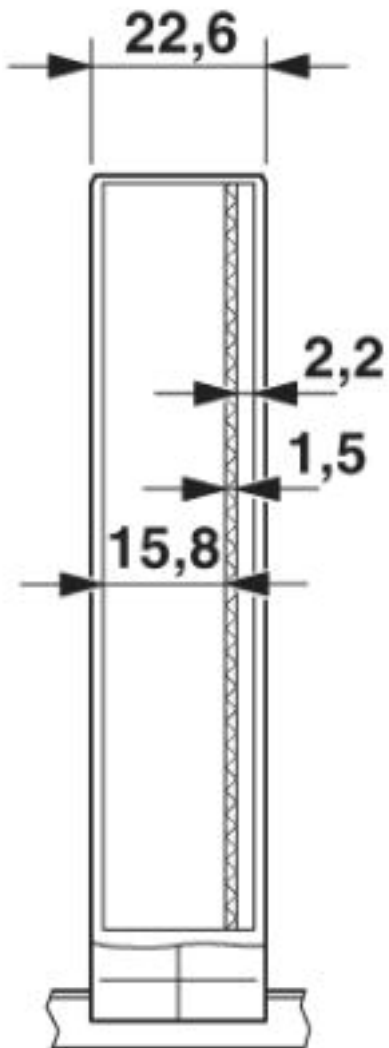
Dimensioned drawing



Dimensional drawing of the ME... printed circuit board if the triple-level upper part is used

Electronic housing - ME 22,5 UT BU - 2908362

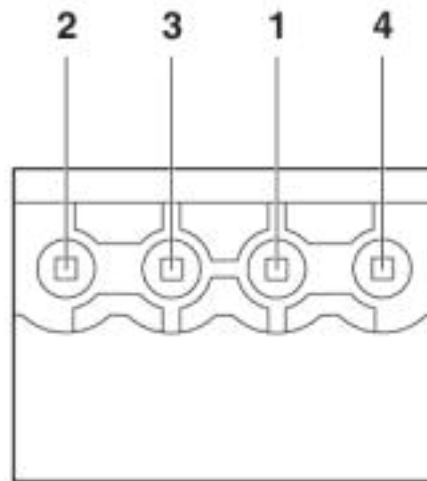
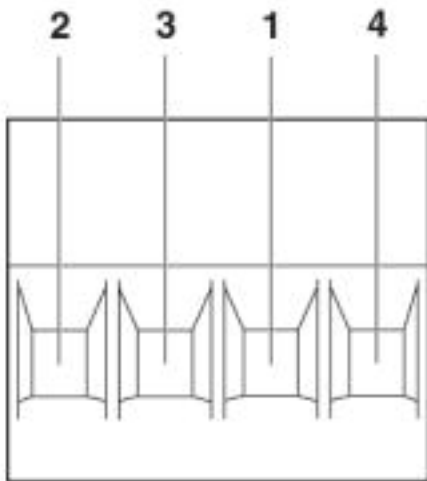
Dimensioned drawing



Inner housing dimensions, electronic housing ME 22.5 ...

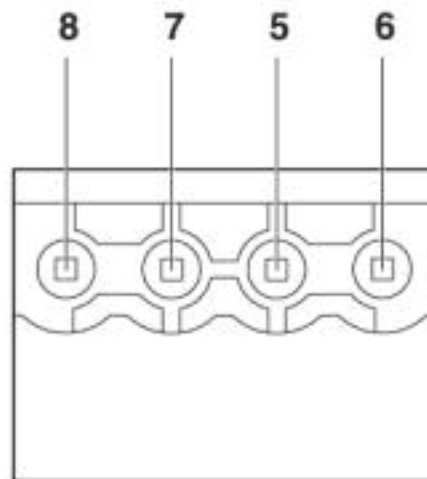
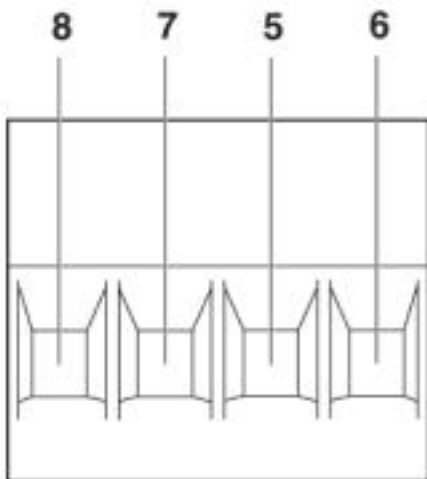
Electronic housing - ME 22,5 UT BU - 2908362

Schematic diagram



Pin assignment left

Schematic diagram



Pin assignment right