

## Electronic housing - ME 22,5 UTG RD - 2706438

Please be informed that the data shown in this PDF Document is generated from our Online Catalog. Please find the complete data in the user's documentation. Our General Terms of Use for Downloads are valid (<http://download.phoenixcontact.com>)



Lower part of housing closed, fully assembled, with metal foot catch.

Illustration shows fully mounted versions of the electronic housing, in green

### Key commercial data

<b>package_quantity</b>	10
<b>GTIN</b>	4017918729974

### classifications

#### eCl@ss

<b>eCl@ss 4.0</b>	27180401
<b>eCl@ss 4.1</b>	27180401
<b>eCl@ss 5.0</b>	27180506
<b>eCl@ss 5.1</b>	27180506
<b>eCl@ss 6.0</b>	27180802
<b>eCl@ss 7.0</b>	27182702
<b>eCl@ss 8.0</b>	27182702

#### ETIM

<b>ETIM 2.0</b>	EC001031
<b>ETIM 3.0</b>	EC001031
<b>ETIM 4.0</b>	EC001031

#### UNSPSC

<b>UNSPSC 6.01</b>	31261501
<b>UNSPSC 7.0901</b>	31261501
<b>UNSPSC 11</b>	31261501
<b>UNSPSC 12.01</b>	31261501
<b>UNSPSC 13.2</b>	31261501


### approvals

UL Recognized /

# Electronic housing - ME 22,5 UTG RD - 2706438

approvals

Approval details

UL Recognized 

accessories

**Coding element**

CR-MSTB - 1734401



CP-MSTB - 1734634



**Component housing center part**

ME 45 UTM GN - 2853404



ME 45 UTM G GN - 2853417



# Electronic housing - ME 22,5 UTG RD - 2706438

## accessories

ME 45 UTM G GN - 2853417



---

## Mounting material

ME-SAS - 2853899



ME LPZS - 2906911



ME MF 17,5 - 2908281



ME-SAS - 2853899



## Electronic housing - ME 22,5 UTG RD - 2706438

### accessories

ME LPZS - 2906911

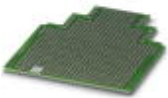


ME MF 17,5 - 2908281

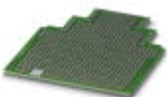


### PCB

ME LP - 2906908



ME LP - 2906908



### Ground contact

ME FE-CONTACT - 2908294



## Electronic housing - ME 22,5 UTG RD - 2706438

### accessories

ME FE-CONTACT - 2908294



---

### Printed circuit board terminal

MKDSO 2,5/ 4-R - 1707247



---

### Filler plug

ME B-22,5 MKDSO GN - 2907143



---

### accessories

ME B-22,5 MSTBO RD - 2854542

---

ME B-22,5 MKDSO RD - 2909332

---

## Electronic housing - ME 22,5 UTG RD - 2706438

accessories

MKDSO 2,5/ 4-L RD - 2909400

---

MKDSO 2,5/ 4-R RD - 2909413

---

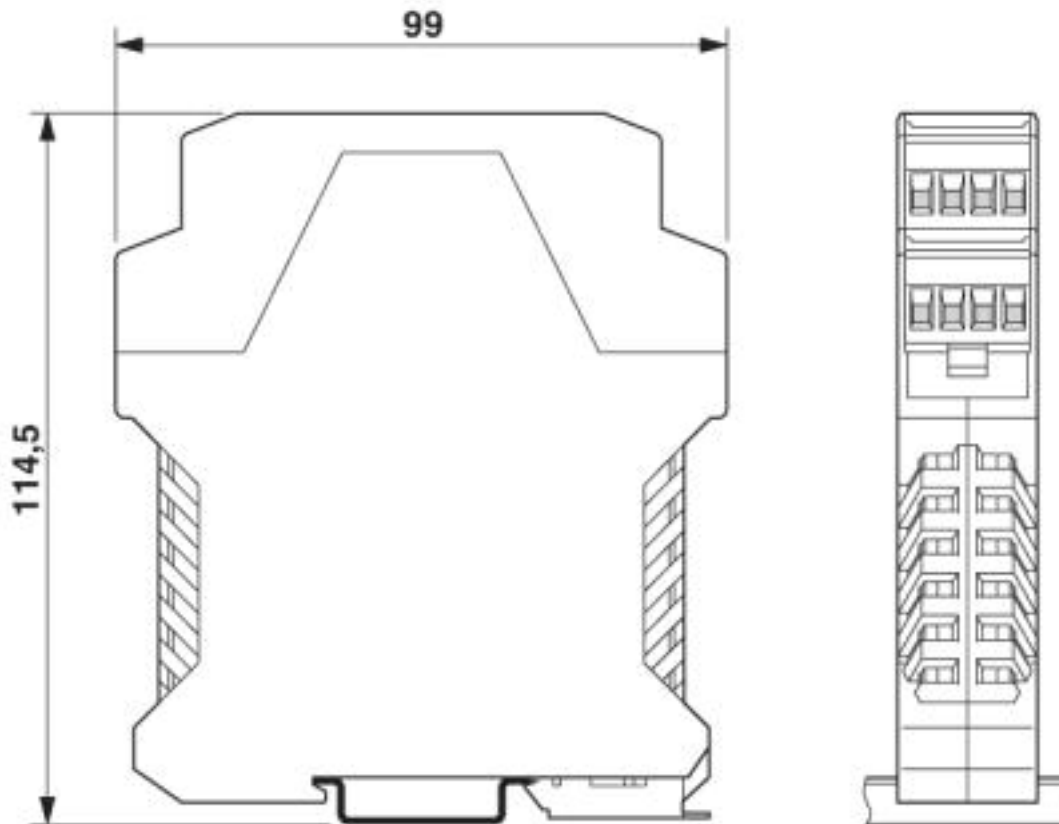
ME B-22,5 MKDSO RD - 2909332

---

Drawings

# Electronic housing - ME 22,5 UTG RD - 2706438

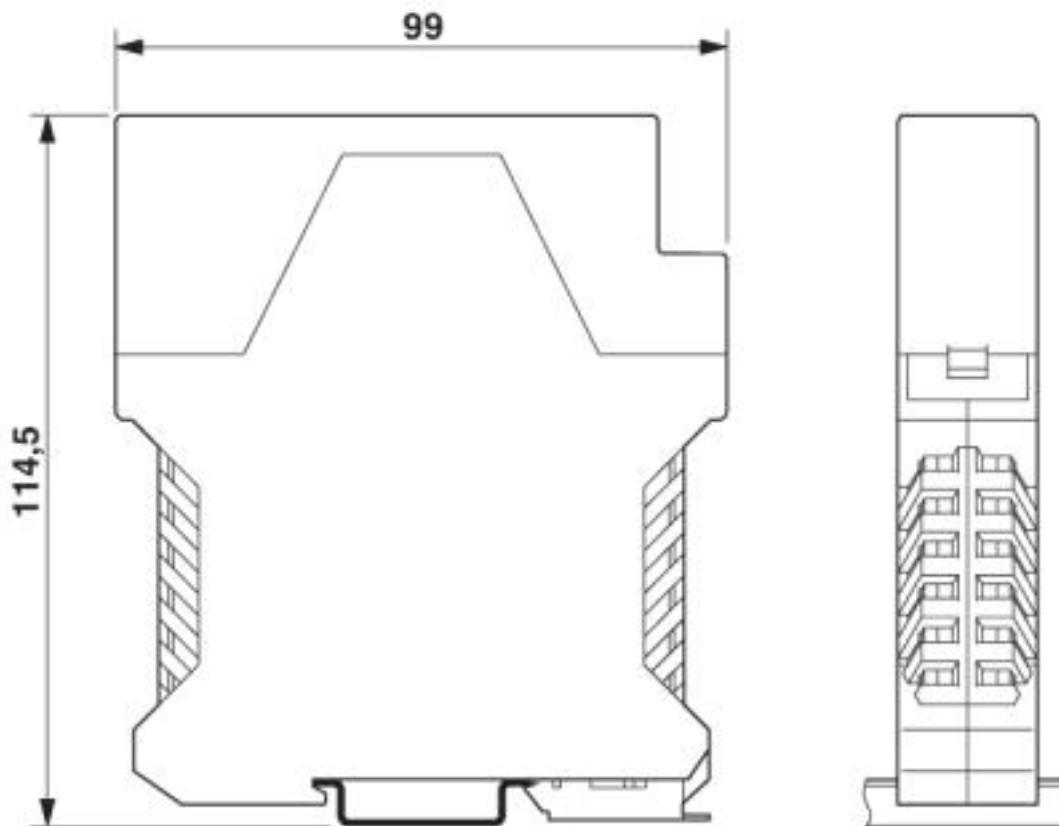
Dimensioned drawing



Dimensions of the electronic housing ME... with double-level upper part

# Electronic housing - ME 22,5 UTG RD - 2706438

Dimensioned drawing

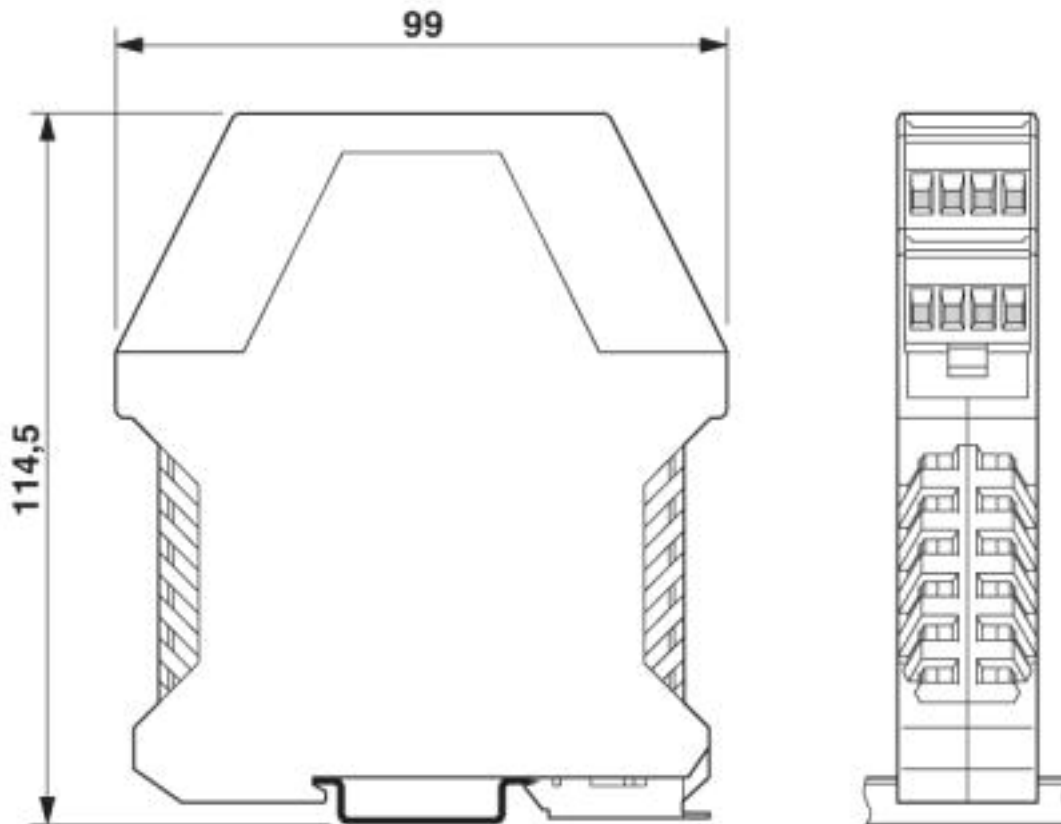


Dimensions of the electronic housing ME... with single-level upper part



# Electronic housing - ME 22,5 UTG RD - 2706438

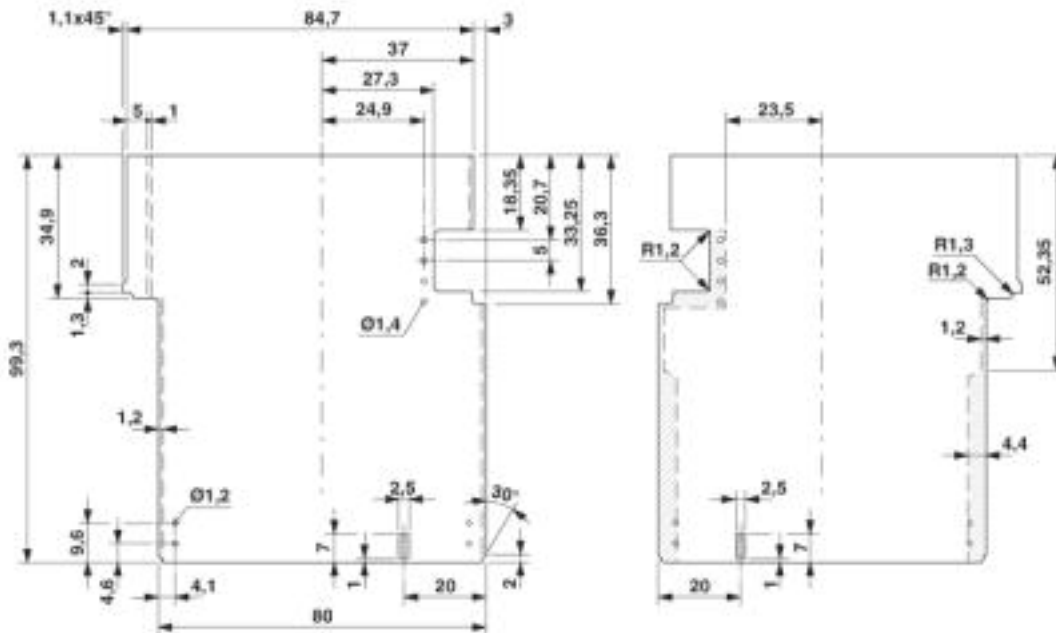
Dimensioned drawing



Dimensions of the electronic housing ME... with double-level upper part

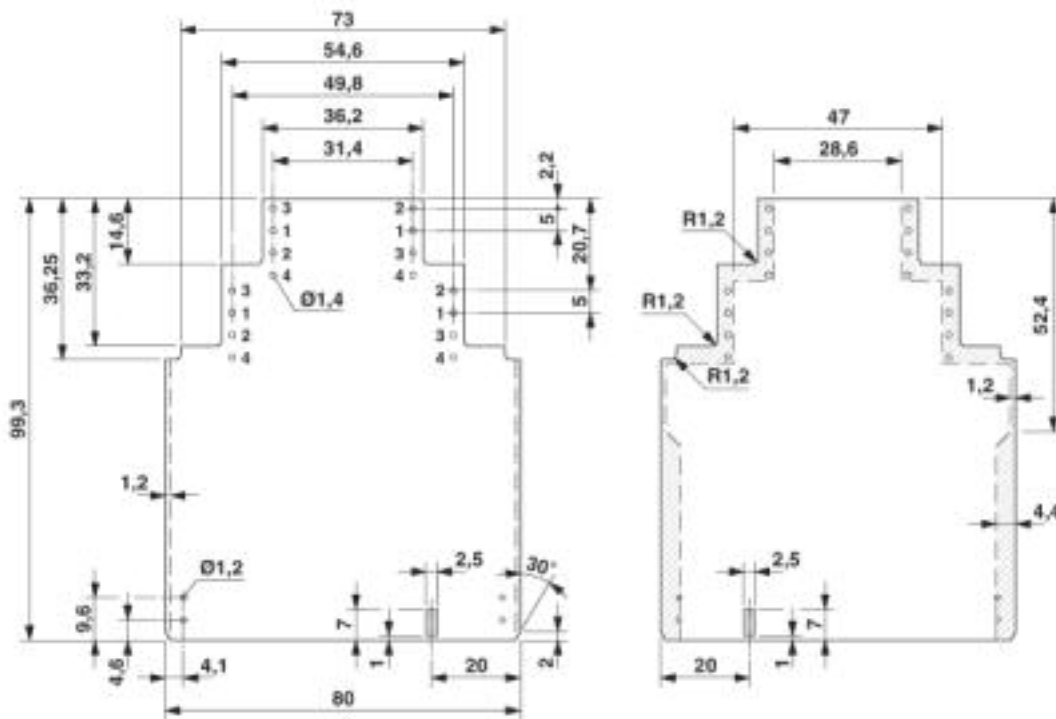
# Electronic housing - ME 22,5 UTG RD - 2706438

Dimensioned drawing



Dimensional drawing of the ME... printed circuit board if the single level upper part is used

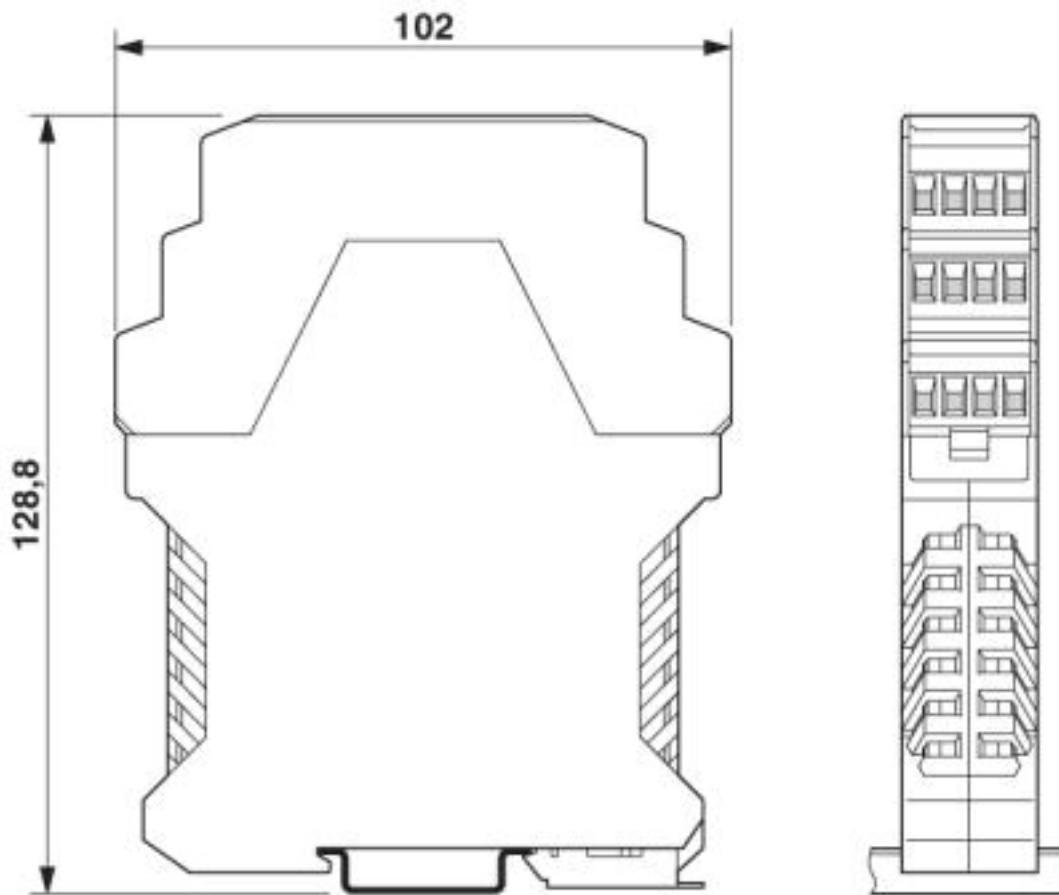
Dimensioned drawing



Dimensional drawing of the ME... printed circuit board if the double level upper part is used

# Electronic housing - ME 22,5 UTG RD - 2706438

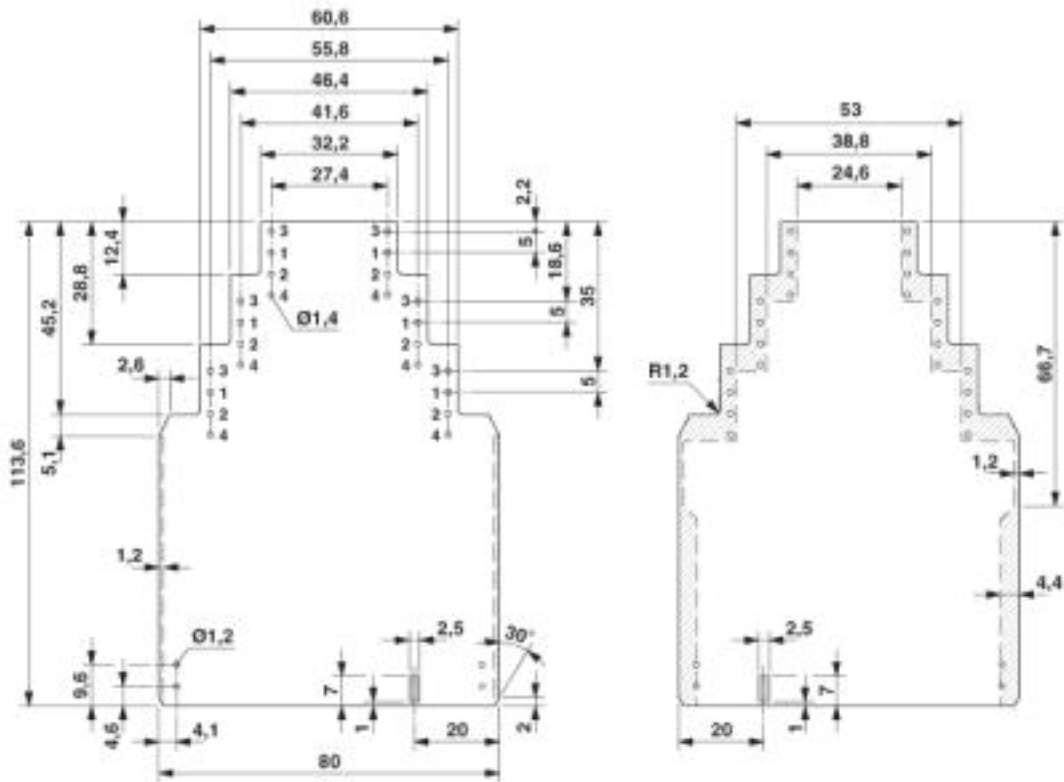
Dimensioned drawing



Dimensional drawing of the ME... printed circuit board if the triple-level upper part is used

# Electronic housing - ME 22,5 UTG RD - 2706438

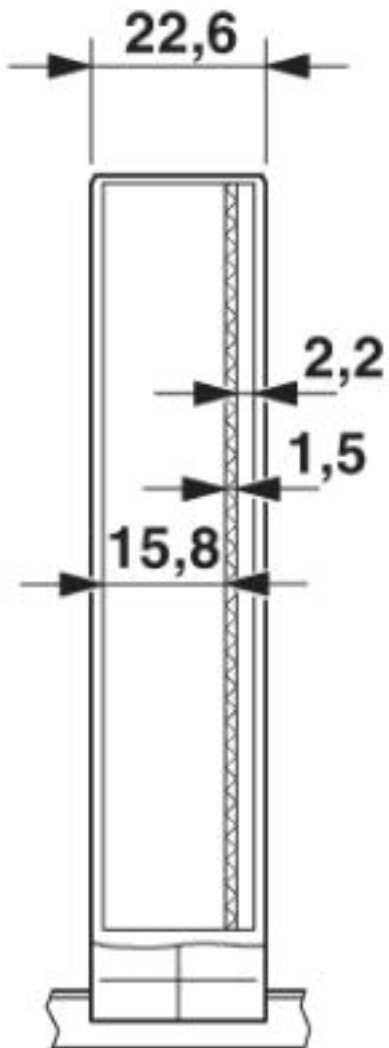
Dimensioned drawing



Dimensional drawing of the ME... printed circuit board if the triple-level upper part is used

## Electronic housing - ME 22,5 UTG RD - 2706438

Dimensioned drawing



Inner housing dimensions, electronic housing ME 22.5 ...

© Phoenix Contact 2013 - all rights reserved  
<http://www.phoenixcontact.com>