

Electronic housing - UEGM-MSTB - 2781453

Please be informed that the data shown in this PDF Document is generated from our Online Catalog. Please find the complete data in the user's documentation. Our General Terms of Use for Downloads are valid (<http://download.phoenixcontact.com>)



Electronic housing, for PCB insertion, with 12-pos. Combicon pin strip

Product Features

- Efficient assembly thanks to overlapping housing parts
- Unused LED cutouts can be sealed with UEGM MSTB-BS filler plugs
- Plug-in connection can be keyed with CP-MSTB/CR-MSTB to prevent incorrect polarity
- Can be snapped onto standard NS 35/7,5 and NS 35/15 DIN rails
- Integration of 3 mm LEDs (max. leg length of 29 mm)
- The MSTB-BL keying tab can be used to cover individual contact pins in order to form sections on the pin strip

Key commercial data

package_quantity	10
GTIN	4017918068967

Technical data

General

Housing type	Complete housing
Housing material	Polyamide (PA 6.6)
Color	green

Ambient conditions

Ambient temperature (operation)	-40 °C ... 105 °C
--	-------------------

Dimensions

Length	79 mm
Constructional height	90.5 mm
Width	25 mm

Technical data

Inflammability class according to UL 94	V0
Power dissipation at 20°C in the horizontal mounting position	4 W 10 W
Number of positions	12

classifications

eCl@ss

Electronic housing - UEGM-MSTB - 2781453

classifications

eCl@ss

eCl@ss 4.0	27180401
eCl@ss 4.1	27180401
eCl@ss 5.0	27180506
eCl@ss 5.1	27180506
eCl@ss 6.0	27180802
eCl@ss 7.0	27182702
eCl@ss 8.0	27182702

ETIM

ETIM 2.0	EC001031
ETIM 3.0	EC001031
ETIM 4.0	EC001031
ETIM 5.0	EC001031

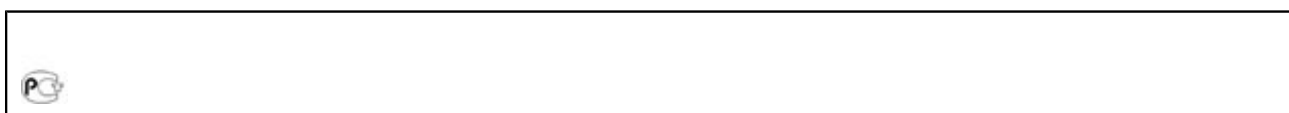
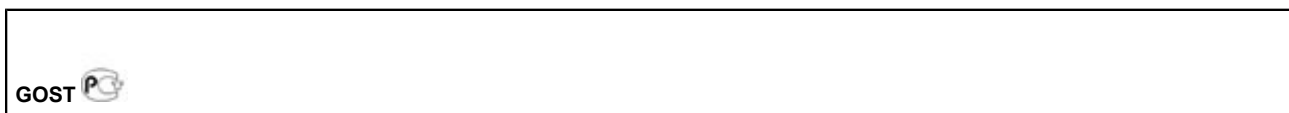
UNSPSC

UNSPSC 6.01	31261501
UNSPSC 7.0901	31261501
UNSPSC 11	31261501
UNSPSC 12.01	31261501
UNSPSC 13.2	31261501

approvals

UL Recognized / GOST / GOST /

Approval details



accessories

Dummy module

Electronic housing - UEGM-MSTB - 2781453

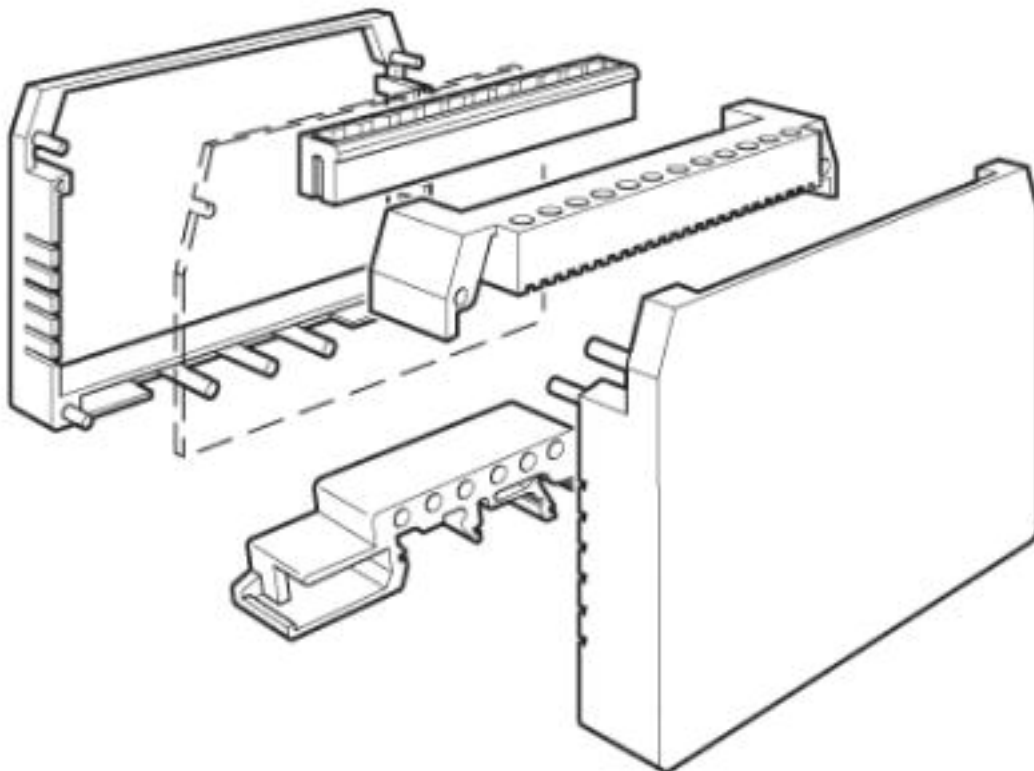
accessories

UEGM-MSTB-BS - 2781466



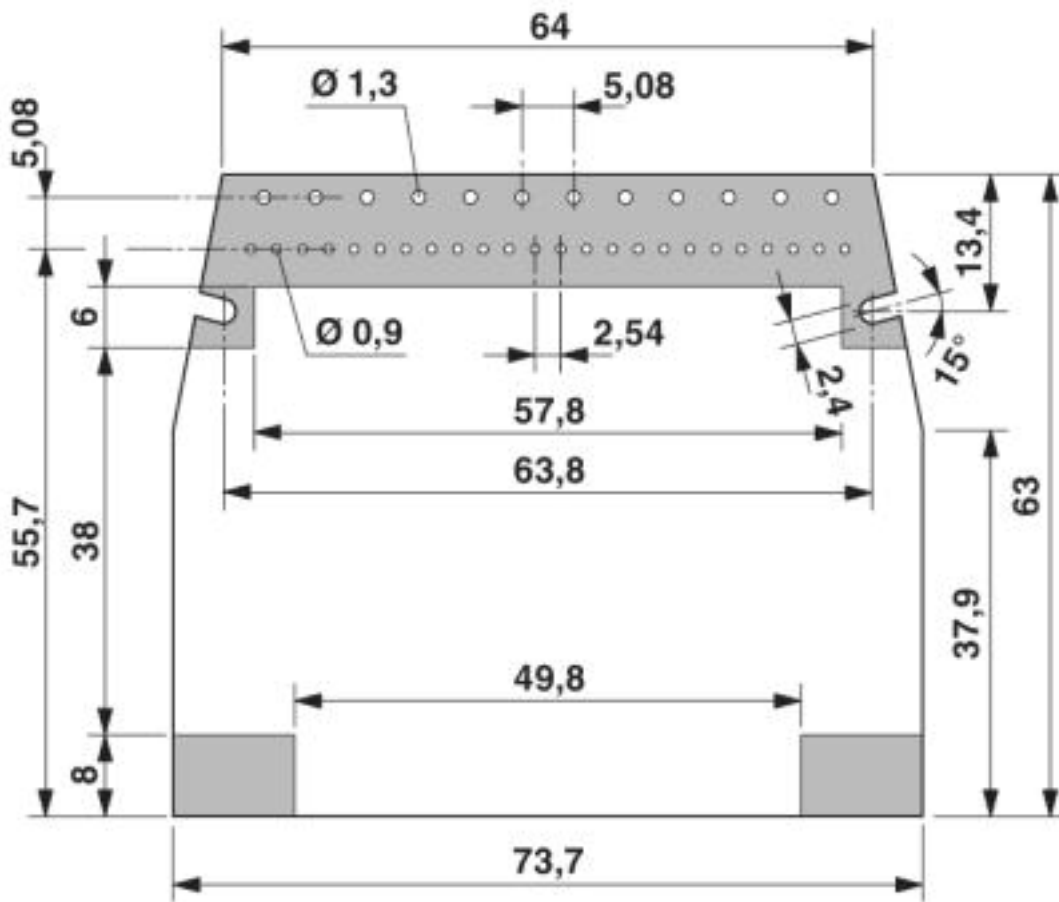
Drawings

Explosion drawing



Electronic housing - UEGM-MSTB - 2781453

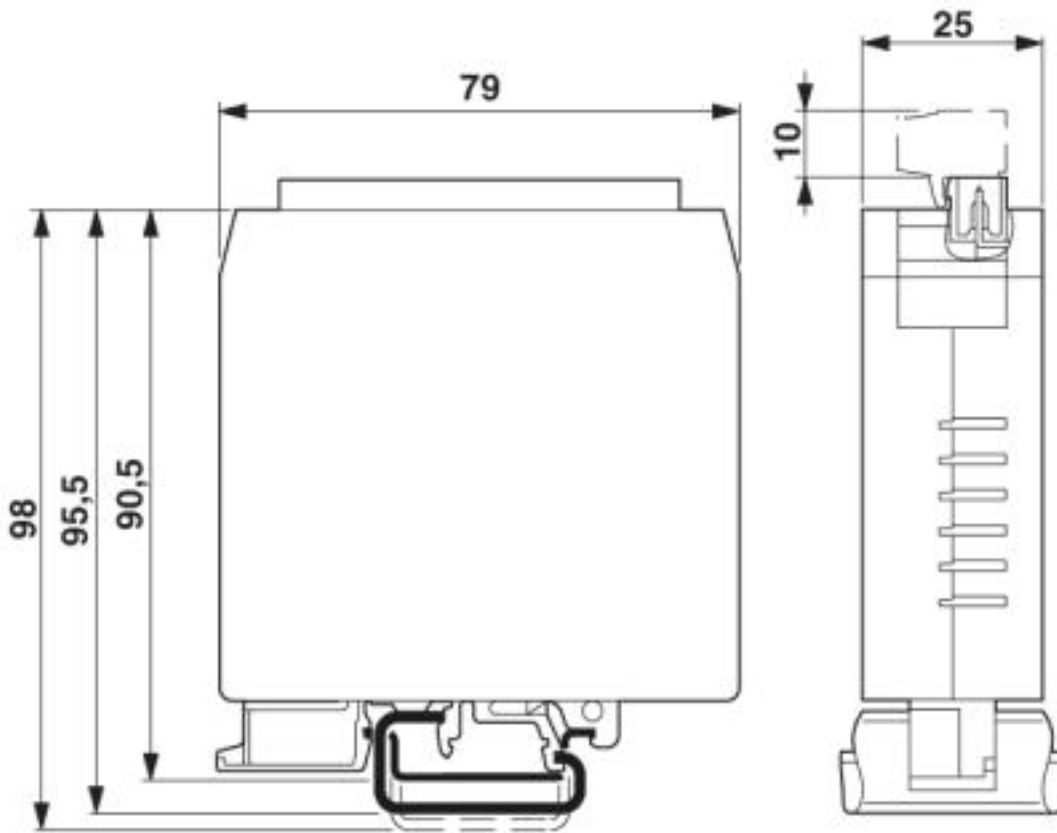
Dimensioned drawing



Soldering side of PCB layout 1 = Overall component area

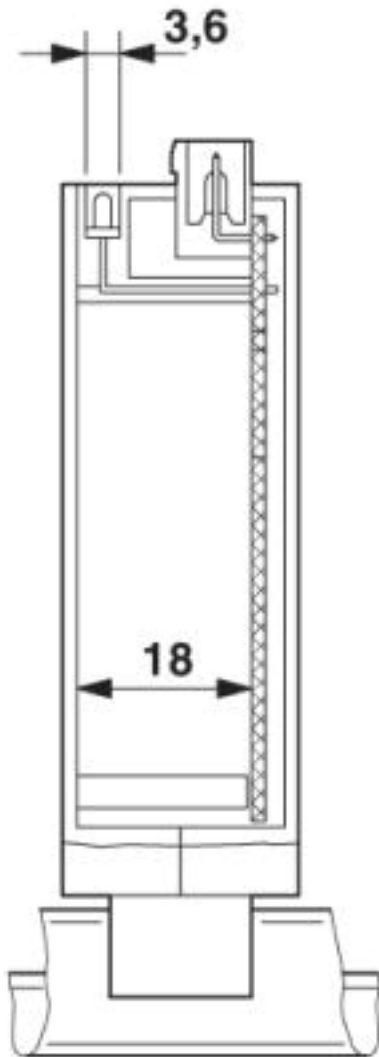
Electronic housing - UEGM-MSTB - 2781453

Dimensioned drawing



Electronic housing - UEGM-MSTB - 2781453

Dimensioned drawing



Maximum height of the components on the PCB

© Phoenix Contact 2013 - all rights reserved
<http://www.phoenixcontact.com>