

# Electronic housing - ME 45 OT-MKDSO SET - 2909345

Please be informed that the data shown in this PDF Document is generated from our Online Catalog. Please find the complete data in the user's documentation. Our General Terms of Use for Downloads are valid (<http://download.phoenixcontact.com>)



Housing upper part, complete with PCB termination blocks for full equipping. 32-pos., housing width: 45 mm

Illustration shows a fully mounted version of the electronic housing

## Product Features

- Tool-free mounting
- Low design width with a high number of positions
- Large assembly area
- Recessed labeling areas
- Same PCB geometry for all design widths
- Inflammability class V0 according to UL 94
- Fast mounting on DIN rails according to EN 60715
- Material and part identification embossed on the housing (recyclability)
- Cost savings thanks to easy device production
- Optional BUS connection integrated in the housing, for either parallel or serial contacting
- Functional earth ground contact (EMC) integrated in the housing base
- Electronic components can be partially removed
- Metal foot catch

## Key commercial data

<b>package_quantity</b>	1
<b>GTIN</b>	4017918163327

## Technical data

### General

<b>Housing type</b>	Upper part
<b>Housing material</b>	Polyamide
<b>Color</b>	green

### Dimensions

<b>Constructional height</b>	38.5 mm
<b>Width</b>	45 mm

### Technical data

<b>Connection in acc. with standard</b>	CUL
<b>Nominal voltage <math>U_N</math></b>	300 V

# Electronic housing - ME 45 OT-MKDSO SET - 2909345

## Technical data

### Technical data

Nominal current I <sub>N</sub>	10 A
AWG/kcmil	30-12
Indicator1	CUL1
Number of positions	32

## classifications

### eCl@ss

eCl@ss 4.0	27180401
eCl@ss 4.1	27180401
eCl@ss 5.0	27180506
eCl@ss 5.1	27141190
eCl@ss 6.0	27141190
eCl@ss 7.0	27141190
eCl@ss 8.0	27141190

### ETIM

ETIM 2.0	EC001031
ETIM 3.0	EC001031
ETIM 4.0	EC001031
ETIM 5.0	EC000886

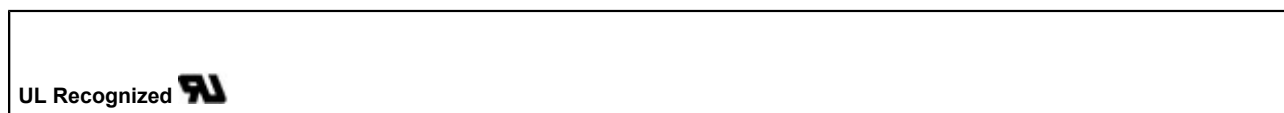
### UNSPSC

UNSPSC 6.01	31261501
UNSPSC 7.0901	31261501
UNSPSC 11	31261501
UNSPSC 12.01	31261501
UNSPSC 13.2	31261501

## approvals

UL Recognized / cUL Recognized / cULus Recognized /

### Approval details



# Electronic housing - ME 45 OT-MKDSO SET - 2909345

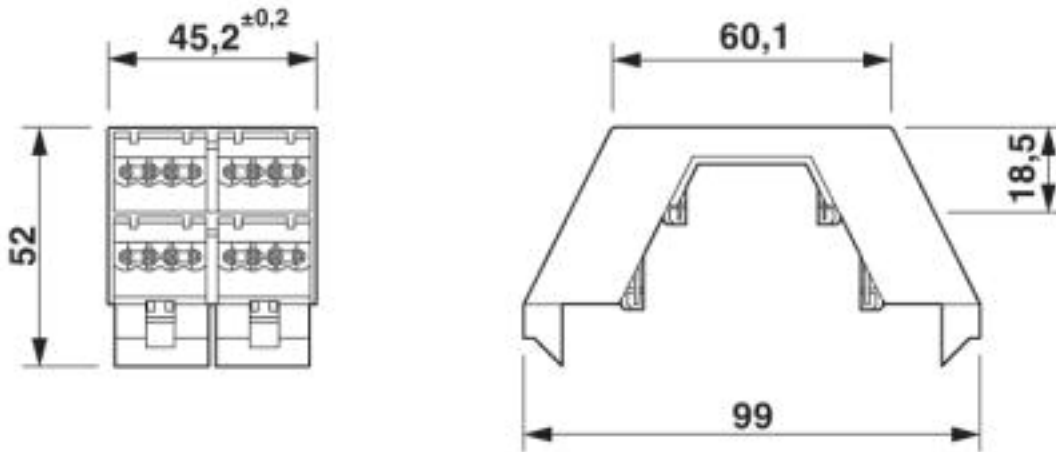
## approvals

Usegroups	B	D
Nominal voltage UN	300 V	300 V
Nominal current IN	10 A	10 A
mm <sup>2</sup> /AWG/kcmil	30-12	30-12

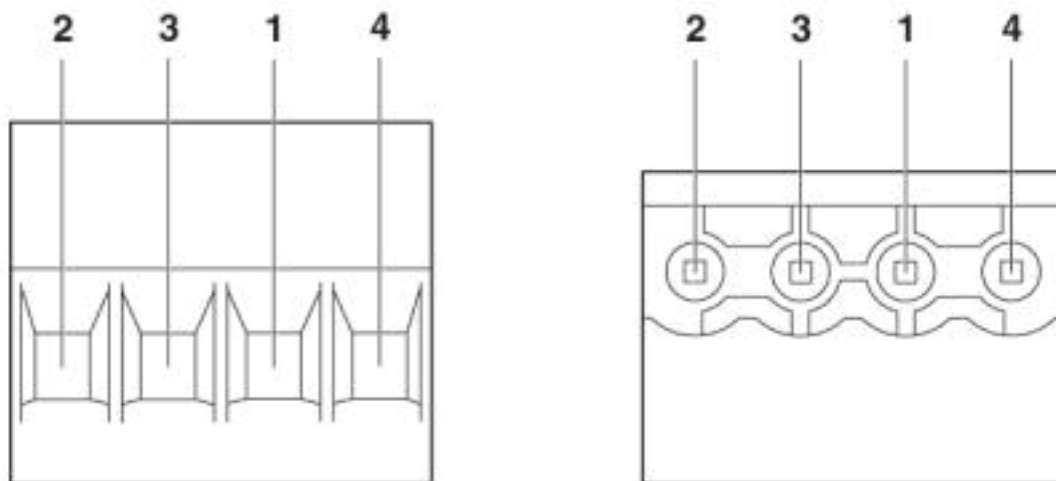


## Drawings

### Dimensioned drawing



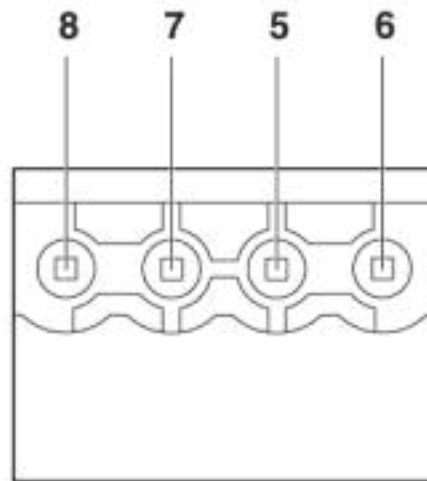
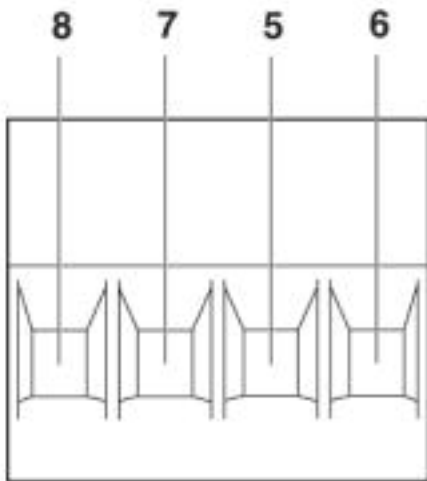
### Schematic diagram



### Pin assignment left

# Electronic housing - ME 45 OT-MKDSO SET - 2909345

Schematic diagram



Pin assignment right

© Phoenix Contact 2013 - all rights reserved  
<http://www.phoenixcontact.com>