

Cable - ME 22,5 TBUS 1,5/ 5-ST-3,81 GN - 2707437

Please be informed that the data shown in this PDF Document is generated from our Online Catalog. Please find the complete data in the user's documentation. Our General Terms of Use for Downloads are valid (<http://download.phoenixcontact.com>)



DIN rail connector for DIN rail mounting. Universal for TBUS housing. Gold-plated contacts, 5-pos.

Key commercial data

package_quantity	50
GTIN	4017918911928

Technical data

General

Color	green
--------------	-------

Dimensions

Length	40 mm
Constructional height	20 mm

Technical data

Connection in acc. with standard	CUL
Nominal voltage U_N	150 V
Nominal current I_N	8 A
Indicator1	CUL1
Inflammability class according to UL 94	V0

classifications

eCl@ss

eCl@ss 4.0	27180401
eCl@ss 4.1	27180401
eCl@ss 5.0	27180506
eCl@ss 5.1	27180506
eCl@ss 6.0	27260704
eCl@ss 7.0	27440402
eCl@ss 8.0	27440402

ETIM

ETIM 2.0	EC001031
-----------------	----------

Cable - ME 22,5 TBUS 1,5/ 5-ST-3,81 GN - 2707437

classifications

ETIM

ETIM 3.0	EC001031
ETIM 4.0	EC002638
ETIM 5.0	EC002638


UNSPSC


UNSPSC 6.01	31261501
UNSPSC 7.0901	31261501
UNSPSC 11	31261501
UNSPSC 12.01	31261501
UNSPSC 13.2	31261501

approvals

UL Recognized / cUL Recognized / cULus Recognized /

Approval details

<p>UL Recognized </p>
--

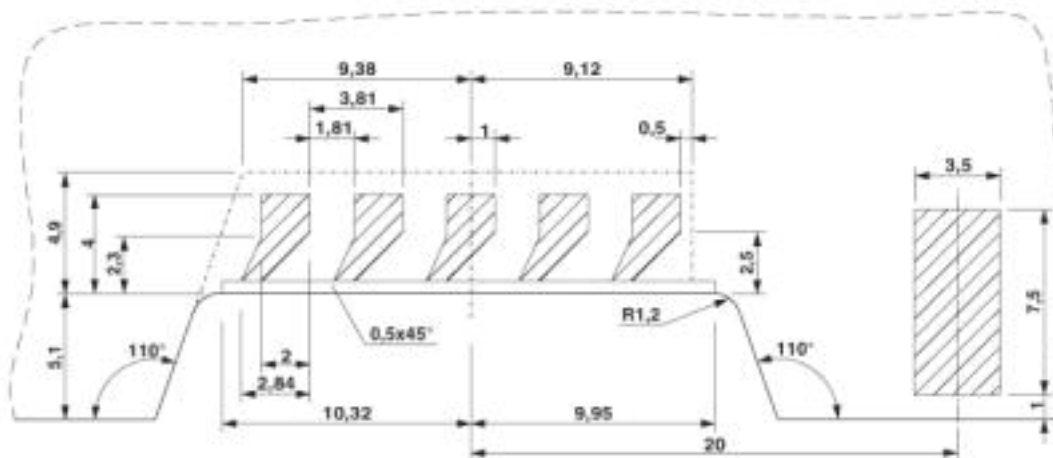
<p>cUL Recognized </p>		
Usegroups	B	D
Nominal voltage UN	150 V	150 V
Nominal current IN	8 A	8 A
mm ² /AWG/kcmil		

<p>cULus Recognized </p>

Drawings

Cable - ME 22,5 TBUS 1,5/ 5-ST-3,81 GN - 2707437

Drilling diagram



Detailed dimensional drawing of the DIN rail connector contact pads

Dimensioned drawing

