

Electronic housing - ME 22,5 UTG KMGY - 2854445

Please be informed that the data shown in this PDF Document is generated from our Online Catalog. Please find the complete data in the user's documentation. Our General Terms of Use for Downloads are valid (<http://download.phoenixcontact.com>)



Lower part of housing closed, fully assembled, with metal foot catch.

Illustration shows fully mounted versions of the electronic housing, in green

Key commercial data

package_quantity	10
GTIN	4017918471712

Technical data

General

Housing type	Component housing
Housing material	Polyamide
Color	light gray

Ambient conditions

Ambient temperature (operation)	-40 °C ... 105 °C
--	-------------------

Dimensions

Length	99 mm
Constructional height	114.5 mm
Width	22.5 mm

Technical data

Inflammability class according to UL 94	V0
Number of positions	16
Number of positions	4
Number of positions	24

classifications

eCl@ss

eCl@ss 4.0	27180401
eCl@ss 4.1	27180401
eCl@ss 5.0	27180506
eCl@ss 5.1	27180506

Electronic housing - ME 22,5 UTG KMGY - 2854445

classifications

eCl@ss

eCl@ss 6.0	27180802
eCl@ss 7.0	27182702
eCl@ss 8.0	27182702

ETIM

ETIM 2.0	EC001031
ETIM 3.0	EC001031
ETIM 4.0	EC001031
ETIM 5.0	EC001031

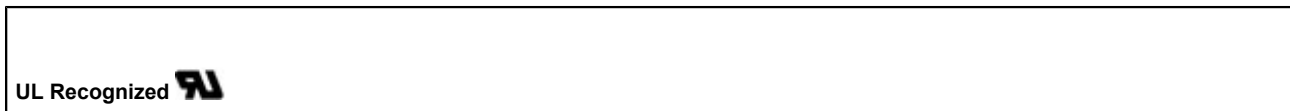
UNSPSC

UNSPSC 6.01	31261501
UNSPSC 7.0901	31261501
UNSPSC 11	31261501
UNSPSC 12.01	31261501
UNSPSC 13.2	31261501

approvals

UL Recognized /

Approval details



accessories

Coding element

CR-MSTB - 1734401



Electronic housing - ME 22,5 UTG KMGY - 2854445

accessories

CP-MSTB - 1734634



Component housing center part

ME 45 UTM GN - 2853404



ME 45 UTM G GN - 2853417



ME 45 UTM G GN - 2853417



Mounting material

ME-SAS - 2853899



Electronic housing - ME 22,5 UTG KMGY - 2854445

accessories

ME LPZS - 2906911



ME MF 17,5 - 2908281



ME LPZS - 2906911

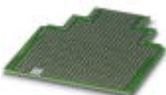


ME MF 17,5 - 2908281



PCB

ME LP - 2906908



Filler plug

Electronic housing - ME 22,5 UTG KMGY - 2854445

accessories

ME B-22,5 MSTBO KMGY - 2907965



ME B-22,5 MKDSO KMGY - 2908498



Ground contact

ME FE-CONTACT - 2908294



ME FE-CONTACT - 2908294



Printed circuit board housing

MSTBO 2,5/ 4-G1L KMGY - 2907774



Electronic housing - ME 22,5 UTG KMGY - 2854445

accessories

MSTBO 2,5/ 4-G1R KMGY - 2907787



Printed circuit board terminal

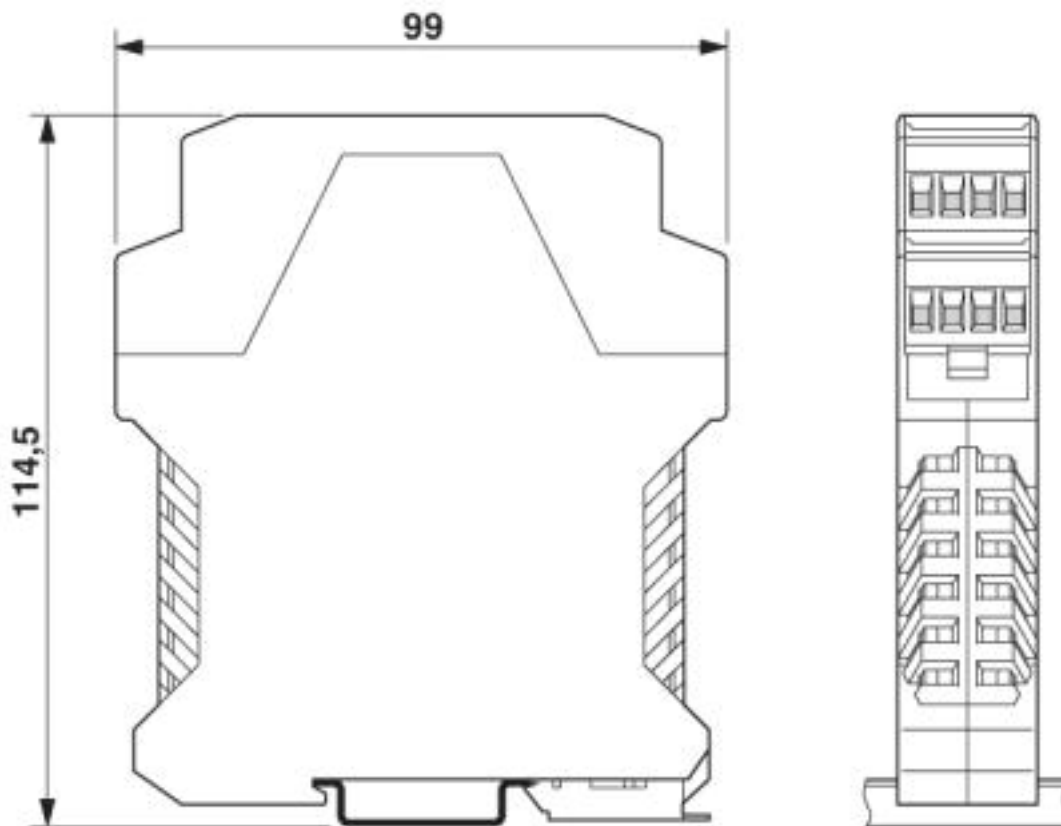
MKDSO 2,5/ 4-L KMGY - 2908485



Drawings

Electronic housing - ME 22,5 UTG KMGY - 2854445

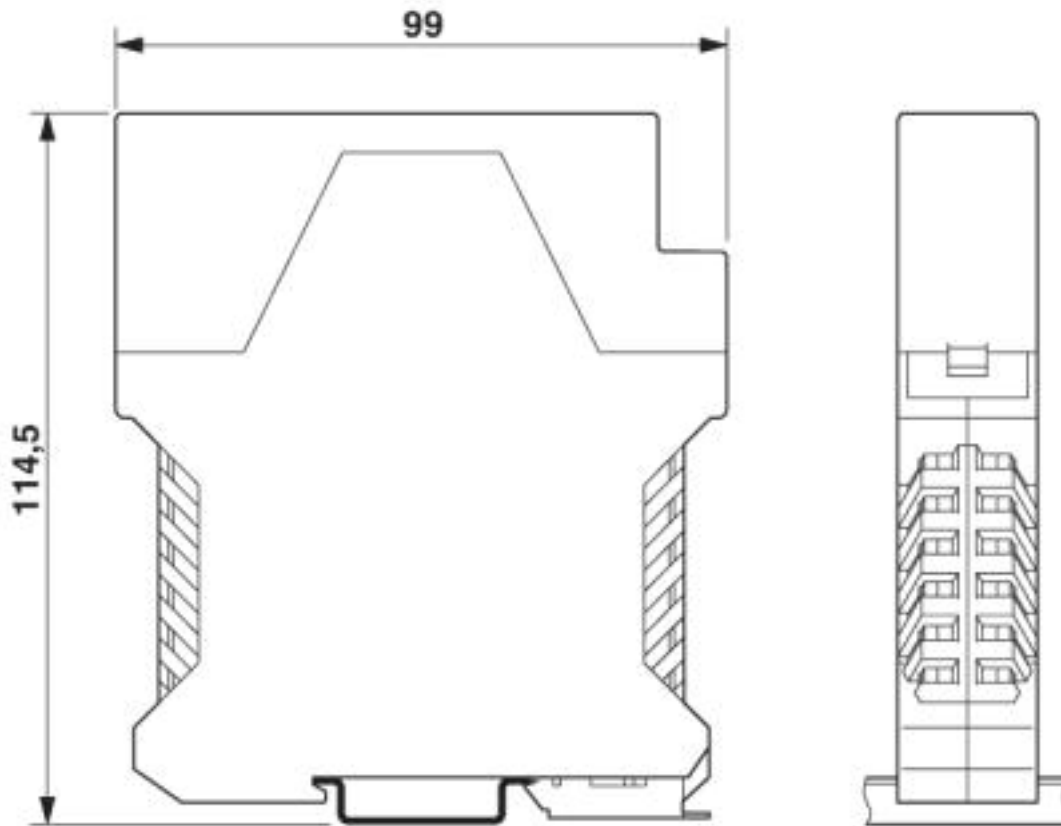
Dimensioned drawing



Dimensions of the electronic housing ME... with double-level upper part

Electronic housing - ME 22,5 UTG KMGY - 2854445

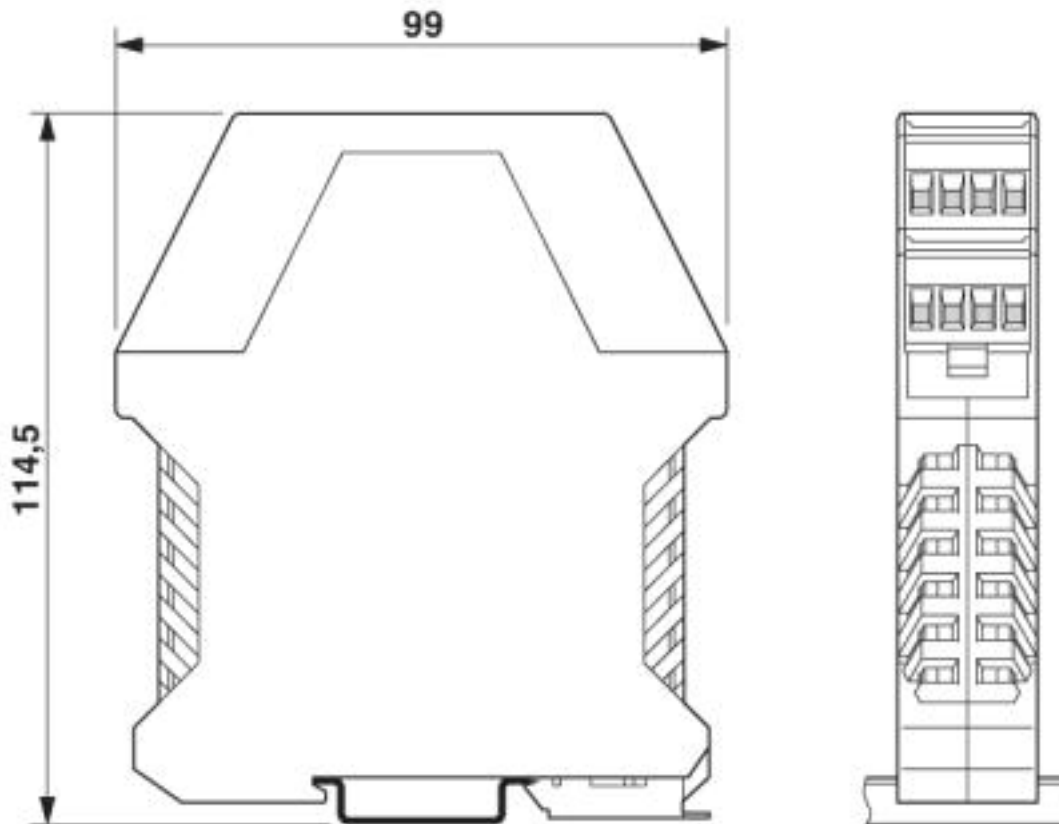
Dimensioned drawing



Dimensions of the electronic housing ME... with single-level upper part

Electronic housing - ME 22,5 UTG KMGY - 2854445

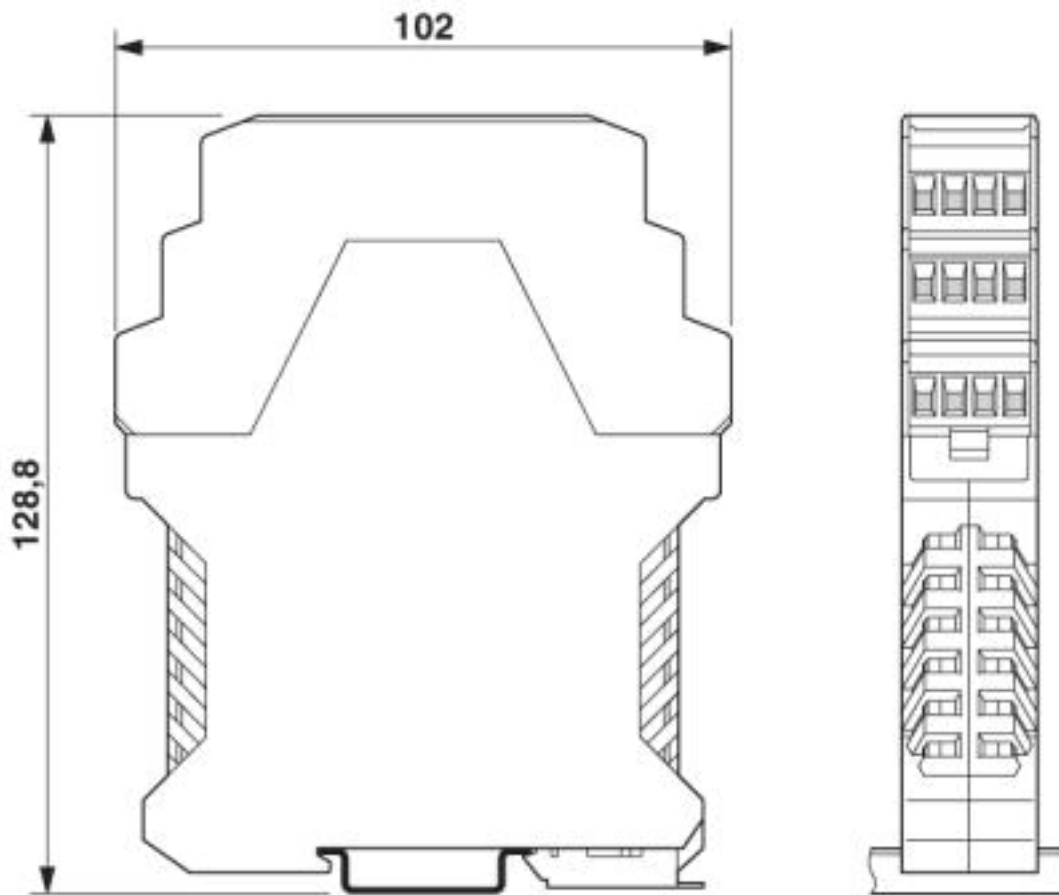
Dimensioned drawing



Dimensions of the electronic housing ME... with double-level upper part

Electronic housing - ME 22,5 UTG KMGY - 2854445

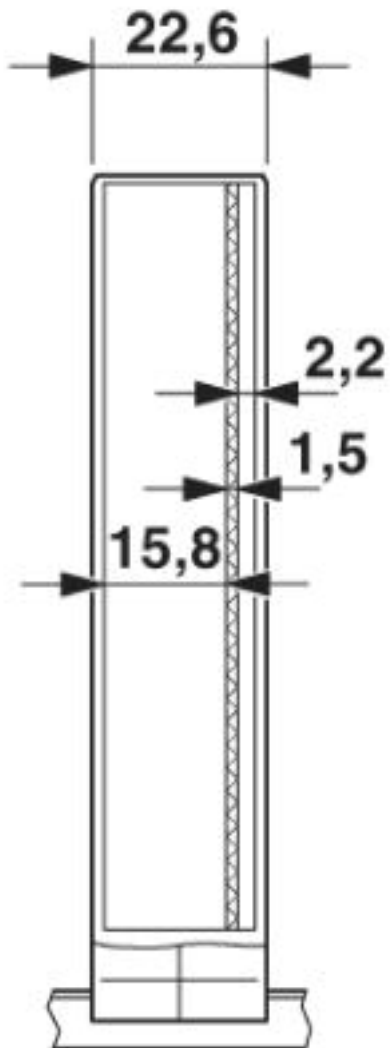
Dimensioned drawing



Dimensional drawing of the ME... printed circuit board if the triple-level upper part is used

Electronic housing - ME 22,5 UTG KMGY - 2854445

Dimensioned drawing



Inner housing dimensions, electronic housing ME 22.5 ...

© Phoenix Contact 2013 - all rights reserved
<http://www.phoenixcontact.com>