

Housing - UM100-PROFIL 200CM - 2906319

Please be informed that the data shown in this PDF Document is generated from our Online Catalog. Please find the complete data in the user's documentation. Our General Terms of Use for Downloads are valid (<http://download.phoenixcontact.com>)

Profile housing and board base, with a constructional width of 100 mm and a fixed length of 200 cm



Key commercial data

package_quantity	1
GTIN	4017918277451

Technical data

General

Housing type	Panel mounting base
Housing material	PVC
Color	green

Ambient conditions

Ambient temperature (operation)	-15 °C ... 50 °C
----------------------------------------	------------------

Dimensions

Length	2 m
Width	2000 mm

Technical data

Inflammability class according to UL 94	V0
------------------------------------------------	----

classifications

eCl@ss

eCl@ss 4.0	27180401
eCl@ss 4.1	27180401
eCl@ss 5.0	27180506
eCl@ss 5.1	27180506
eCl@ss 6.0	27180802
eCl@ss 7.0	27182701
eCl@ss 8.0	27182701

ETIM

ETIM 2.0	EC001031
-----------------	----------

Housing - UM100-PROFIL 200CM - 2906319

classifications

ETIM

ETIM 3.0	EC001031
ETIM 4.0	EC001031
ETIM 5.0	EC000721

UNSPSC

UNSPSC 6.01	31261501
UNSPSC 7.0901	31261501
UNSPSC 11	31261501
UNSPSC 12.01	31261501
UNSPSC 13.2	31261501

accessories

Mounting material

UM108-FE - 2959463



UMK-BF - 2976077



UM108-FE - 2959463



UMK-BF - 2976077



Housing - UM100-PROFIL 200CM - 2906319

accessories

Panel mounting base side part

UM108-SE - 2959476



UM108-SEFE/R-A60 - 2959706



UM108-SEFE/R-A73 - 2959719



UM108 N-SEFE/R-A73 - 2709354



UM108-SEFE/L-A60 - 2959722



Housing - UM100-PROFIL 200CM - 2906319

accessories

UM108-SEPEF/L-A60 - 2906500



UM108-SEFE/L-A73 - 2959735



UM108-SEPEF/L-A73 - 2906513



UM108 N-SEFE/L-A73 - 2709367



UM108 N-SEPEF/L-A73 - 2709370



UM108-SE-A60 - 2959748



Housing - UM100-PROFIL 200CM - 2906319

accessories

UM108-SE-A73 - 2959751



UM108 N-SE-A73 - 2709383



Component housing cover

UM-A/U N 73 CM - 2706852

Component housing lower part

UM108-LG 10 - 2959780



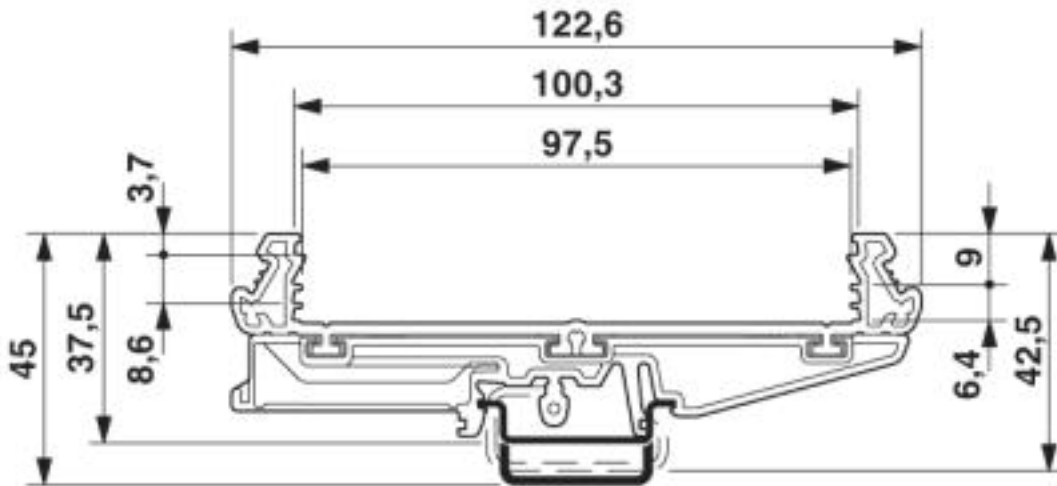
accessories

UM108-A/U CM - 2854898

Housing - UM100-PROFIL 200CM - 2906319

Drawings

Dimensioned drawing



© Phoenix Contact 2013 - all rights reserved
<http://www.phoenixcontact.com>