

Electronic housing - UM122-PROFIL 235CM - 2735438

Please be informed that the data shown in this PDF Document is generated from our Online Catalog. Please find the complete data in the user's documentation. Our General Terms of Use for Downloads are valid (<http://download.phoenixcontact.com>)

Profile PC board base, with a constructional width of 122 mm and a fixed length of 235 cm



Key commercial data

package_quantity	1
GTIN	4017918589561

Technical data

General

Housing type	Panel mounting base
Housing material	PVC
Color	green

Ambient conditions

Ambient temperature (operation)	-15 °C ... 50 °C
----------------------------------------	------------------

Dimensions

Length	235 cm
Width	122 mm

Technical data

Inflammability class according to UL 94	V0
------------------------------------------------	----

classifications

eCl@ss

eCl@ss 4.0	27180401
eCl@ss 4.1	27180401
eCl@ss 5.0	27180506
eCl@ss 5.1	27180506
eCl@ss 6.0	27180802
eCl@ss 7.0	27182701
eCl@ss 8.0	27182701

ETIM

ETIM 2.0	EC001031
-----------------	----------

Electronic housing - UM122-PROFIL 235CM - 2735438

classifications

ETIM

ETIM 3.0	EC001031
ETIM 4.0	EC001031
ETIM 5.0	EC000721

UNSPSC

UNSPSC 6.01	31261501
UNSPSC 7.0901	31261501
UNSPSC 11	31261501
UNSPSC 12.01	31261501
UNSPSC 13.2	31261501

accessories

Device marking

PMB - 1004364



PMB - 1004364



Marker pen

B-STIFT - 1051993



Electronic housing - UM122-PROFIL 235CM - 2735438

accessories

B-STIFT - 1051993



Mounting material

UM122-FE - 2909471



UM122-FE - 2909471



Cover profile

AP-ES - 5022685



AP-ES - 5022685



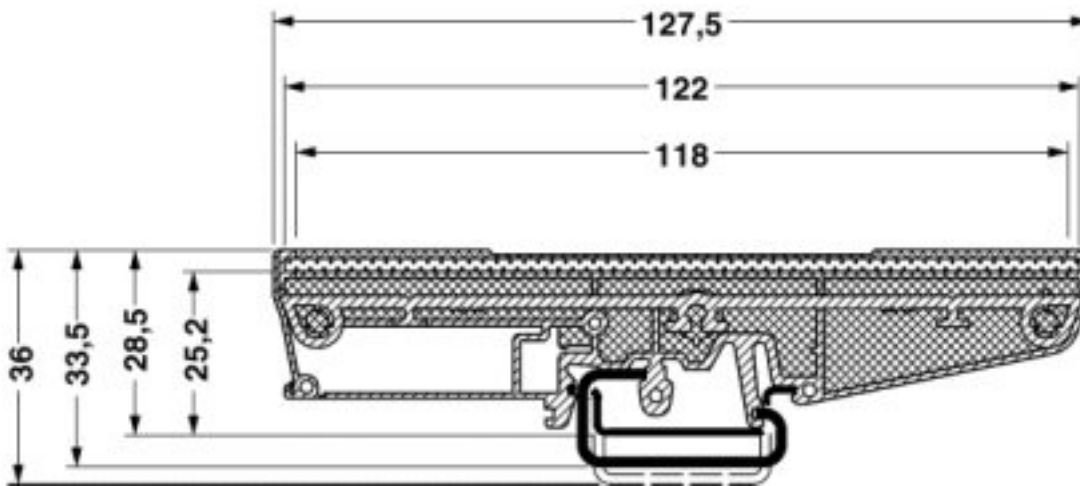
Electronic housing - UM122-PROFIL 235CM - 2735438

accessories

UM122-A/U92 - 2909455

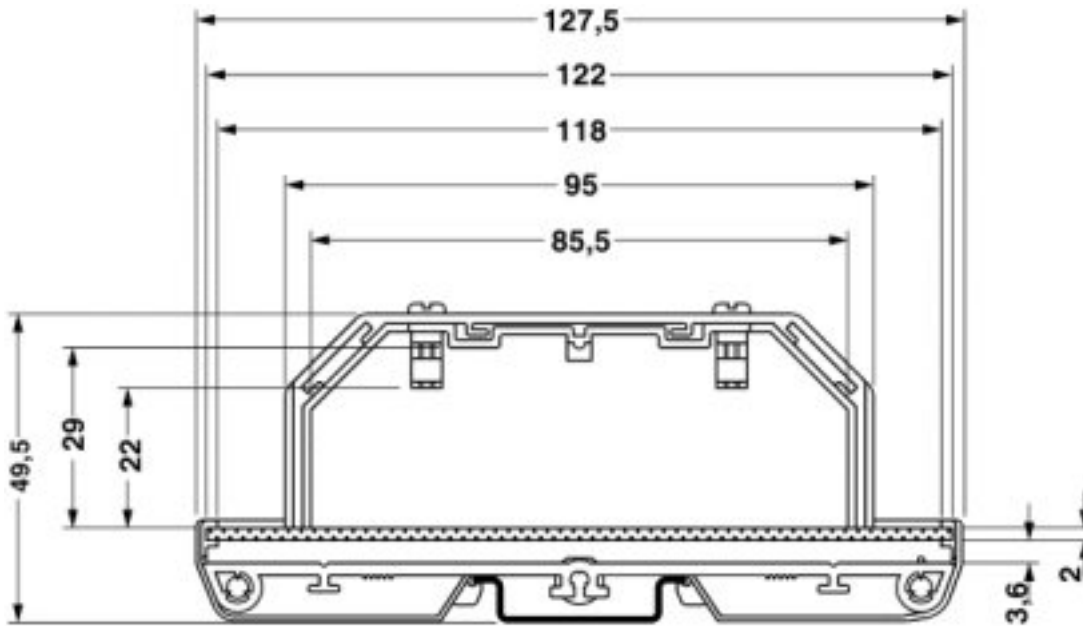
Drawings

Dimensioned drawing



Electronic housing - UM122-PROFIL 235CM - 2735438

Dimensioned drawing



© Phoenix Contact 2013 - all rights reserved
<http://www.phoenixcontact.com>