

Electronic housing - EFG 45-LG/BS GY - 2757474

Please be informed that the data shown in this PDF Document is generated from our Online Catalog. Please find the complete data in the user's documentation. Our General Terms of Use for Downloads are valid (<http://download.phoenixcontact.com>)



Electronics housing, for insertion of two PCBs, without screw connection terminal blocks

Key commercial data

package_quantity	5
GTIN	4017918063566

Technical data

General

Housing type	Complete housing
Housing material	polycarbonate
Color	gray

Ambient conditions

Ambient temperature (operation)	-40 °C ... 125 °C
--	-------------------

Dimensions

Length	118 mm
Constructional height	137.5 mm
Width	45 mm

Technical data

Inflammability class according to UL 94	V0
Power dissipation at 20°C in the horizontal mounting position	9.5 W 11.5 W

classifications

eCl@ss

eCl@ss 4.0	27180401
eCl@ss 4.1	27180401
eCl@ss 5.0	27180506
eCl@ss 5.1	27180506
eCl@ss 6.0	27180802
eCl@ss 7.0	27182702
eCl@ss 8.0	27182702

Electronic housing - EFG 45-LG/BS GY - 2757474

classifications

ETIM

ETIM 2.0	EC001031
ETIM 3.0	EC001031
ETIM 4.0	EC001031
ETIM 5.0	EC001031

UNSPSC

UNSPSC 6.01	31261501
UNSPSC 7.0901	31261501
UNSPSC 11	31261501
UNSPSC 12.01	31261501
UNSPSC 13.2	31261501

approvals

UL Recognized /

Approval details



accessories

Printed circuit board terminal

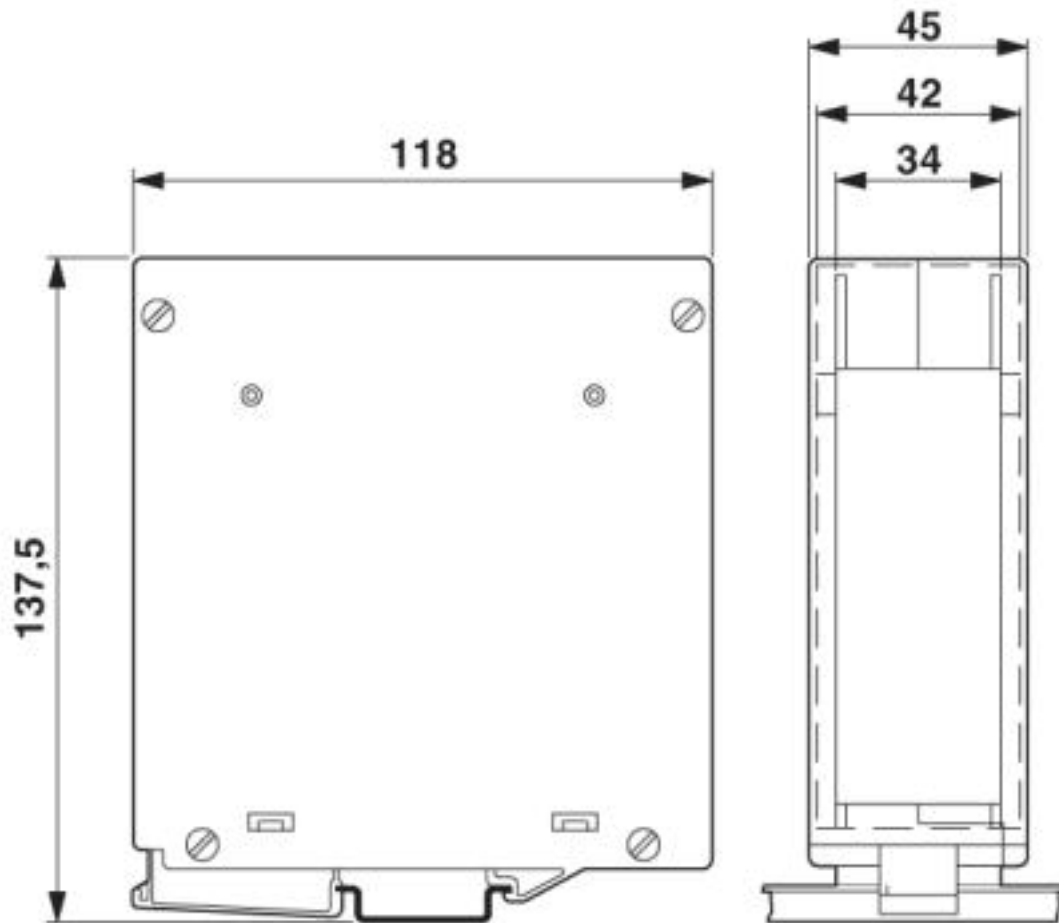
FRONT 2,5-H/SA 5 - 1700008



Drawings

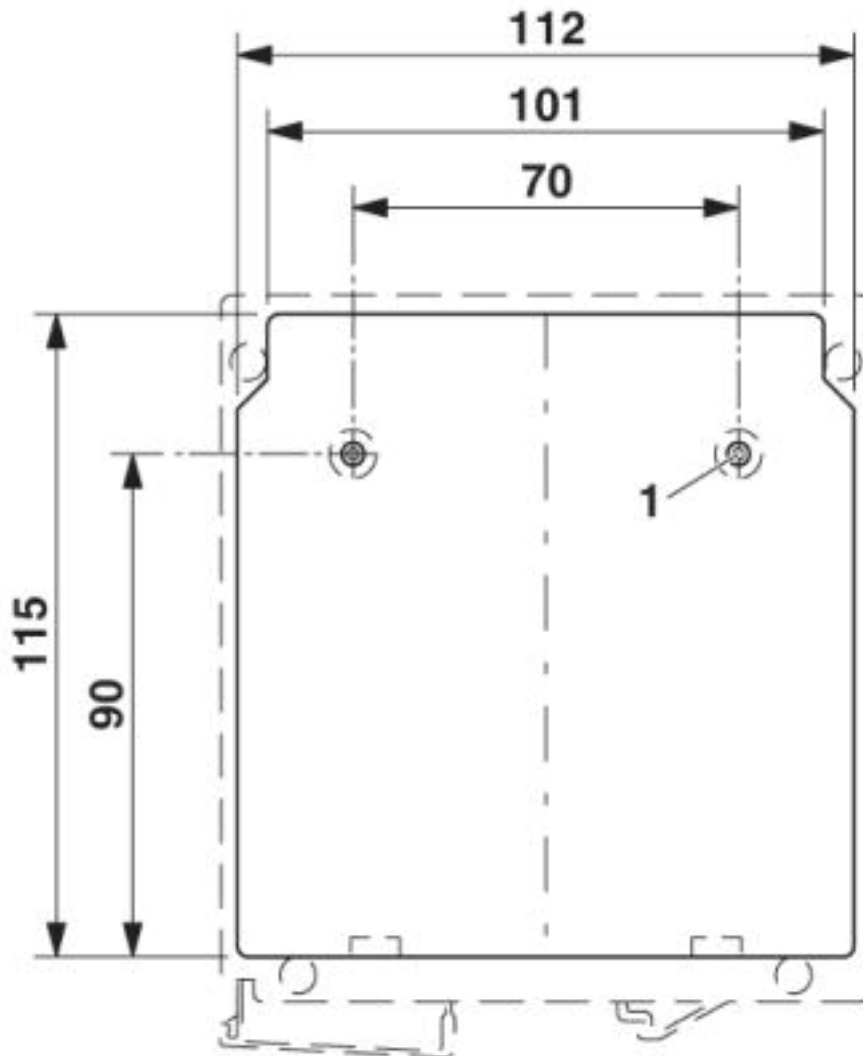
Electronic housing - EFG 45-LG/BS GY - 2757474

Dimensioned drawing



Electronic housing - EFG 45-LG/BS GY - 2757474

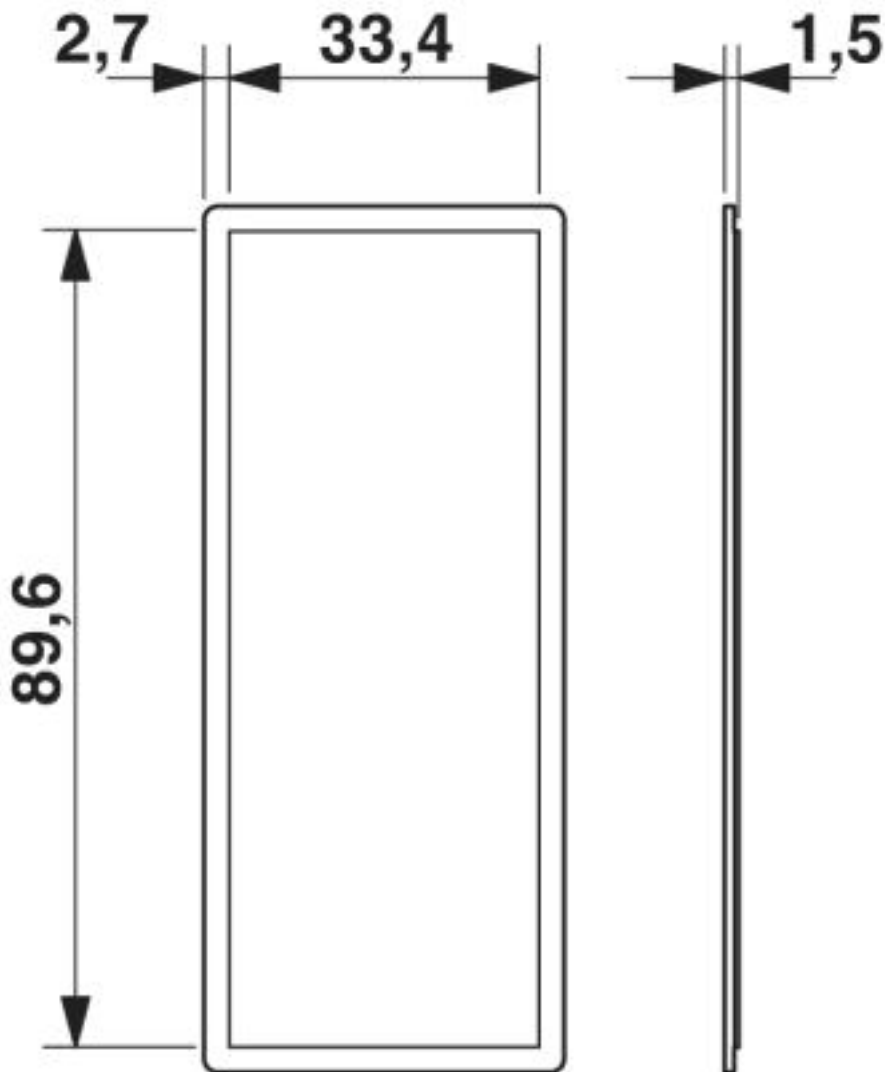
Dimensioned drawing



1 = Diameter 3.2 mm for M3

Electronic housing - EFG 45-LG/BS GY - 2757474

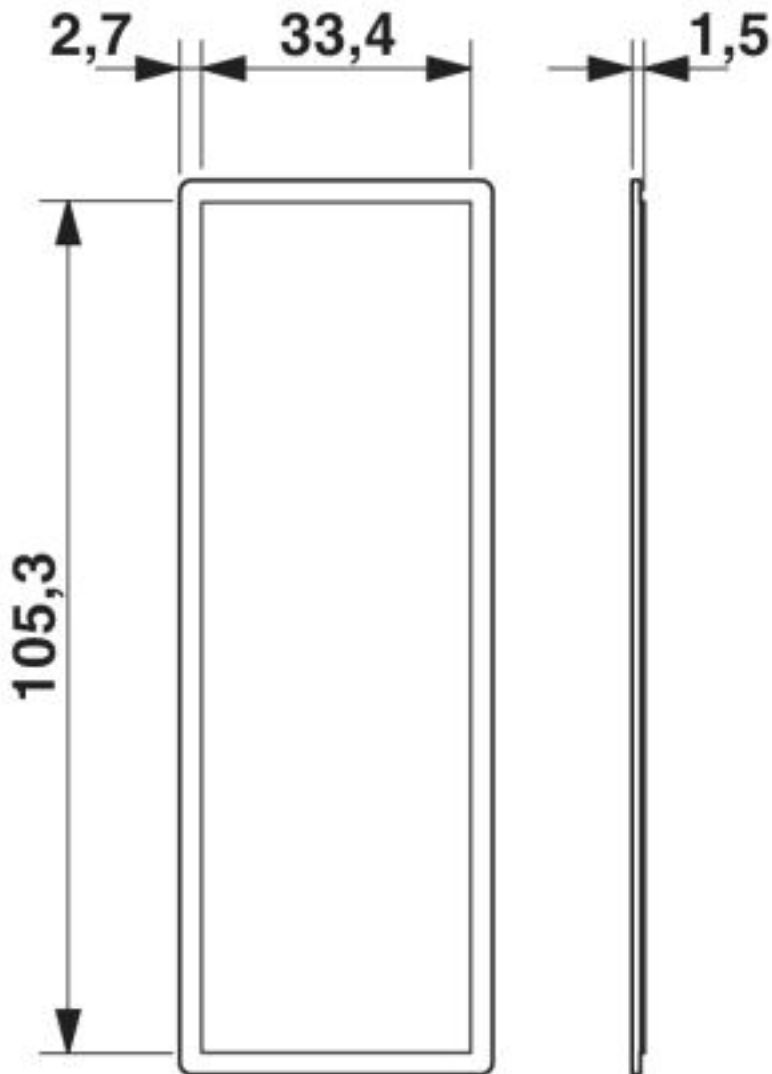
Dimensioned drawing



Side element (front and back)

Electronic housing - EFG 45-LG/BS GY - 2757474

Dimensioned drawing



Cover element

© Phoenix Contact 2013 - all rights reserved
<http://www.phoenixcontact.com>