

## Electronic housing - ME 22,5 UTG GN - 2907127

Please be informed that the data shown in this PDF Document is generated from our Online Catalog. Please find the complete data in the user's documentation. Our General Terms of Use for Downloads are valid (<http://download.phoenixcontact.com>)



Lower part of housing closed, fully assembled, with metal foot catch.

### Product Features

- Tool-free mounting
- Low design width with a high number of positions
- Large assembly area
- Recessed labeling areas
- Same PCB geometry for all design widths
- Inflammability class V0 according to UL 94
- Fast mounting on DIN rails according to EN 60715
- Material and part identification embossed on the housing (recyclability)
- Cost savings thanks to easy device production
- Functional earth ground contact (EMC) integrated in the housing base
- Electronic components can be partially removed
- Optional BUS connection integrated in the housing, for either parallel or serial contacting
- Metal foot catch

### Key commercial data

<b>package_quantity</b>	10
<b>GTIN</b>	4017918126612

### Technical data

#### General

<b>Housing type</b>	Component housing
<b>Housing material</b>	Polyamide
<b>Color</b>	green

#### Ambient conditions

<b>Ambient temperature (operation)</b>	-40 °C ... 105 °C
--	-------------------

#### Dimensions

<b>Length</b>	99 mm
<b>Constructional height</b>	114.5 mm
<b>Width</b>	22.5 mm

#### Technical data

# Electronic housing - ME 22,5 UTG GN - 2907127

## Technical data

### Technical data

Inflammability class according to UL 94	V0
Power dissipation at 20°C in the horizontal mounting position	5.7 W 10.1 W
Number of positions	16
Number of positions	24

## classifications

### eCl@ss

eCl@ss 4.0	27180401
eCl@ss 4.1	27180401
eCl@ss 5.0	27180506
eCl@ss 5.1	27180506
eCl@ss 6.0	27180802
eCl@ss 7.0	27182702
eCl@ss 8.0	27182702

### ETIM

ETIM 2.0	EC001031
ETIM 3.0	EC001031
ETIM 4.0	EC001031
ETIM 5.0	EC001031

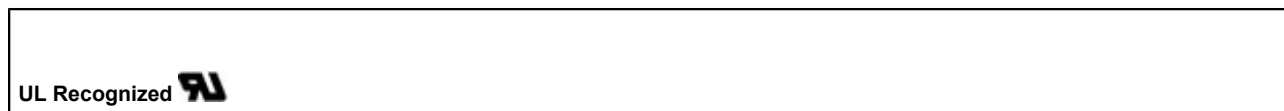
### UNSPSC

UNSPSC 6.01	31261501
UNSPSC 7.0901	31261501
UNSPSC 11	31261501
UNSPSC 12.01	31261501
UNSPSC 13.2	31261501

## approvals

UL Recognized /

### Approval details



## accessories

### Coding element

## Electronic housing - ME 22,5 UTG GN - 2907127

accessories

CR-MSTB - 1734401



CP-MSTB - 1734634



### Component housing center part

ME 45 UTM GN - 2853404



ME 45 UTM G GN - 2853417



ME 45 UTM G GN - 2853417



### Mounting material

## Electronic housing - ME 22,5 UTG GN - 2907127

### accessories

ME-SAS - 2853899



---

ME LPZS - 2906911



---

ME MF 17,5 - 2908281



---

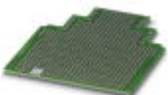
ME MF 17,5 - 2908281



---

### PCB

ME LP - 2906908



---

### Filler plug

## Electronic housing - ME 22,5 UTG GN - 2907127

### accessories

ME B-22,5 MKDSO GN - 2907143



ME B-22,5 MSTBO GN - 2907156



ME B-12,5 3MSTBO GN - 2709176



### Ground contact

ME FE-CONTACT - 2908294



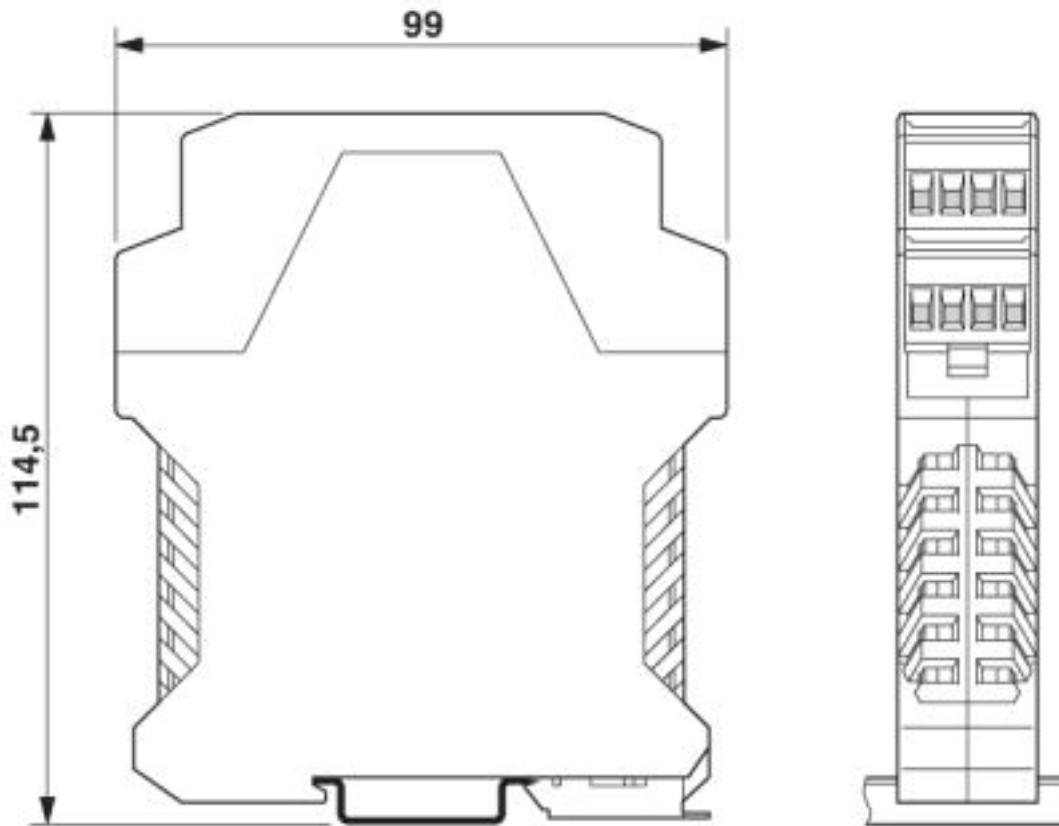
ME FE-CONTACT - 2908294



### Drawings

# Electronic housing - ME 22,5 UTG GN - 2907127

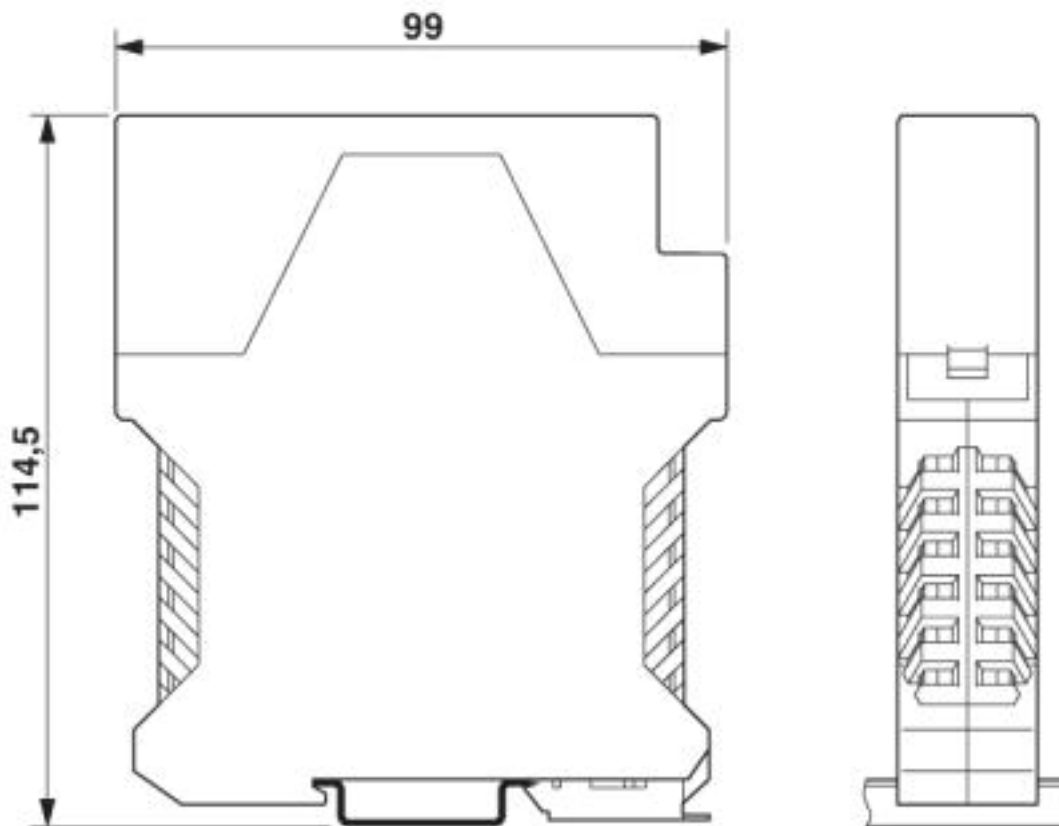
Dimensioned drawing



Dimensions of the electronic housing ME... with double-level upper part

# Electronic housing - ME 22,5 UTG GN - 2907127

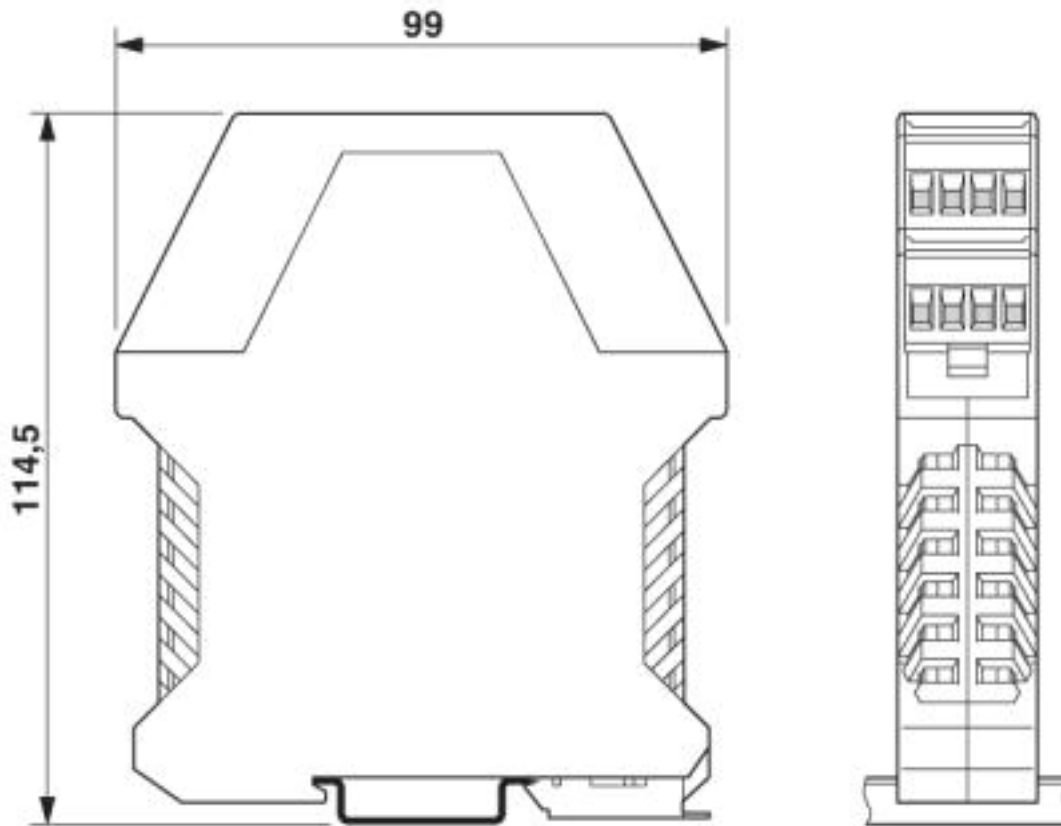
Dimensioned drawing



Dimensions of the electronic housing ME... with single-level upper part

# Electronic housing - ME 22,5 UTG GN - 2907127

Dimensioned drawing

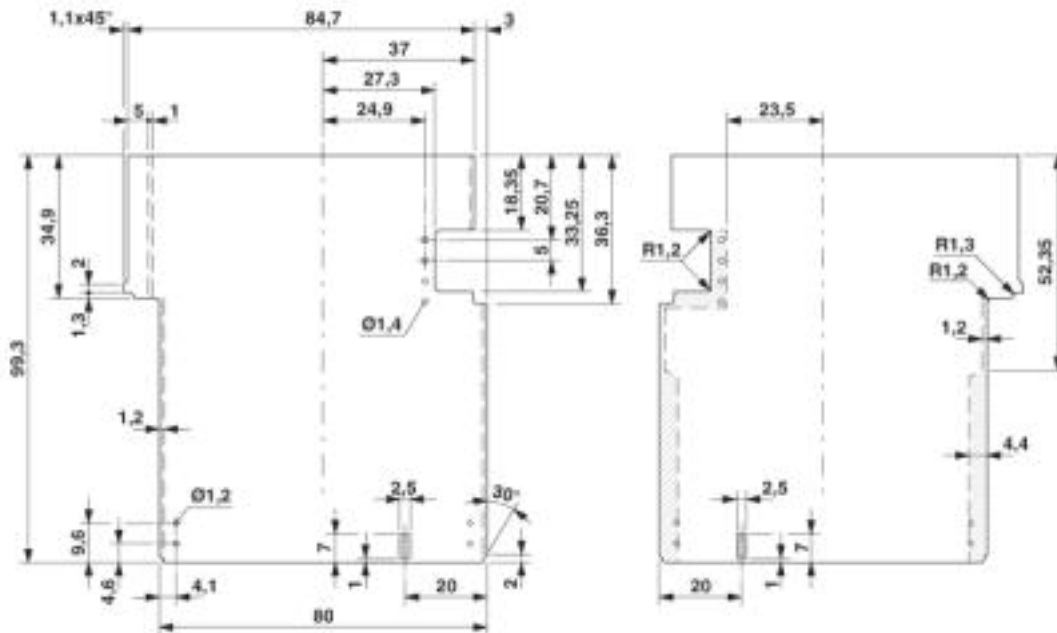


Dimensions of the electronic housing ME... with double-level upper part



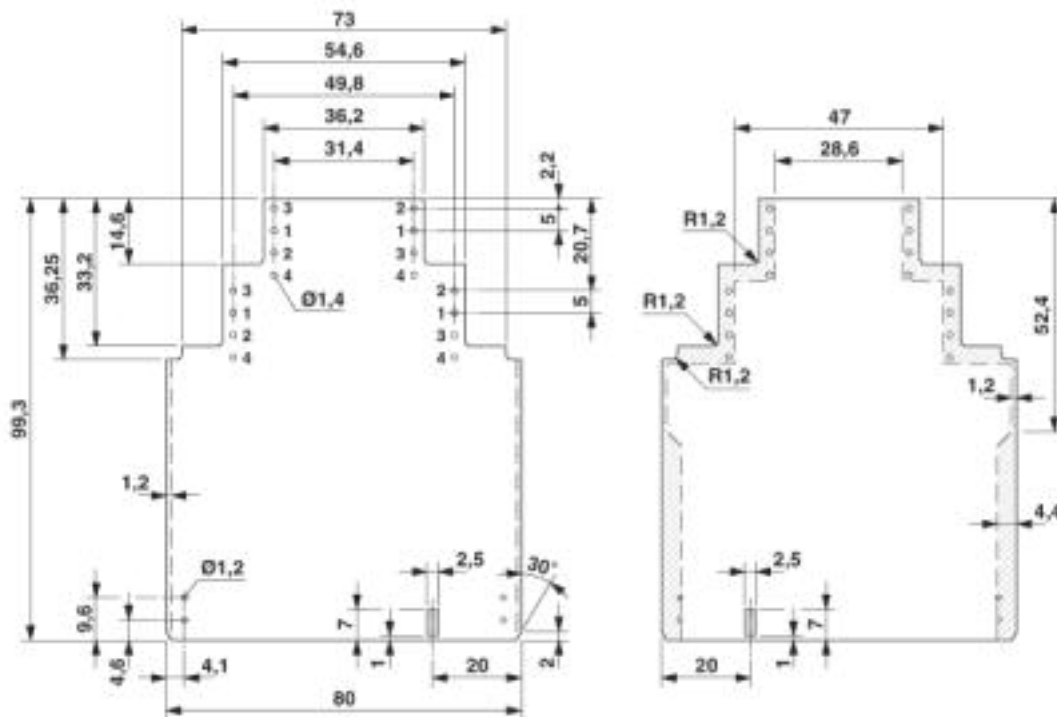
# Electronic housing - ME 22,5 UTG GN - 2907127

Dimensioned drawing



Dimensional drawing of the ME... printed circuit board if the single level upper part is used

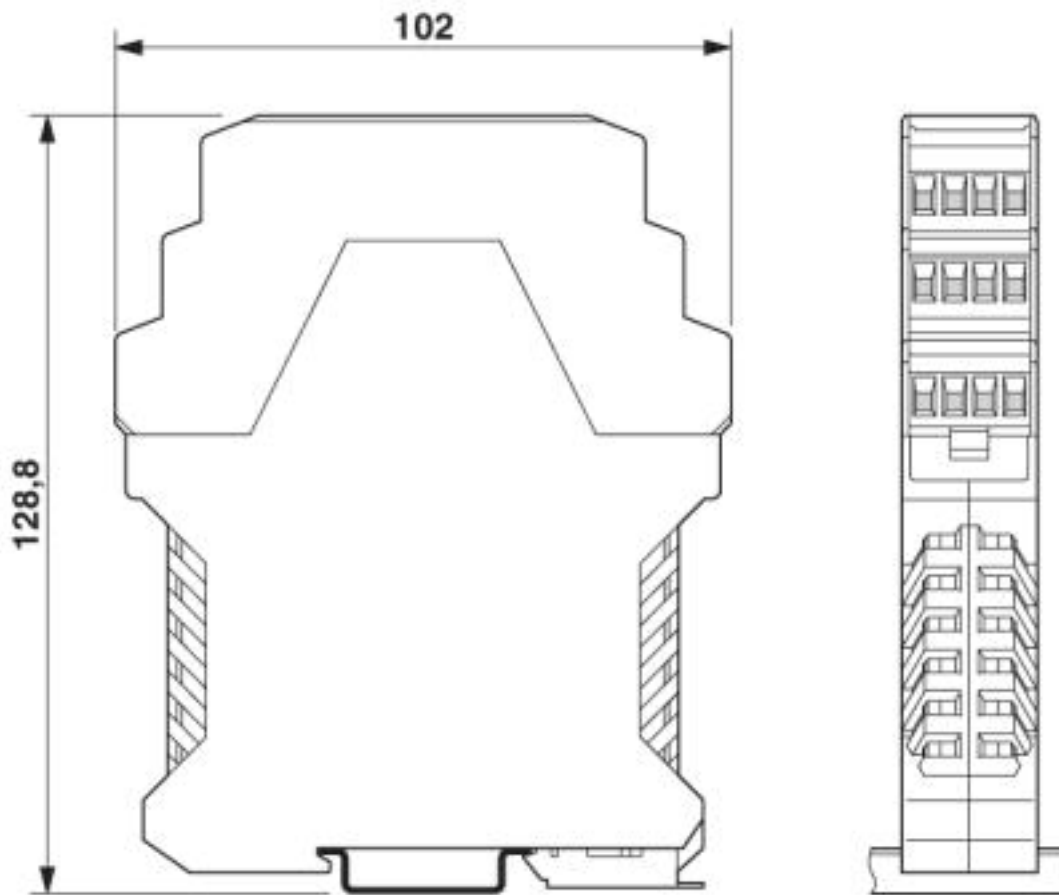
Dimensioned drawing



Dimensional drawing of the ME... printed circuit board if the double level upper part is used

# Electronic housing - ME 22,5 UTG GN - 2907127

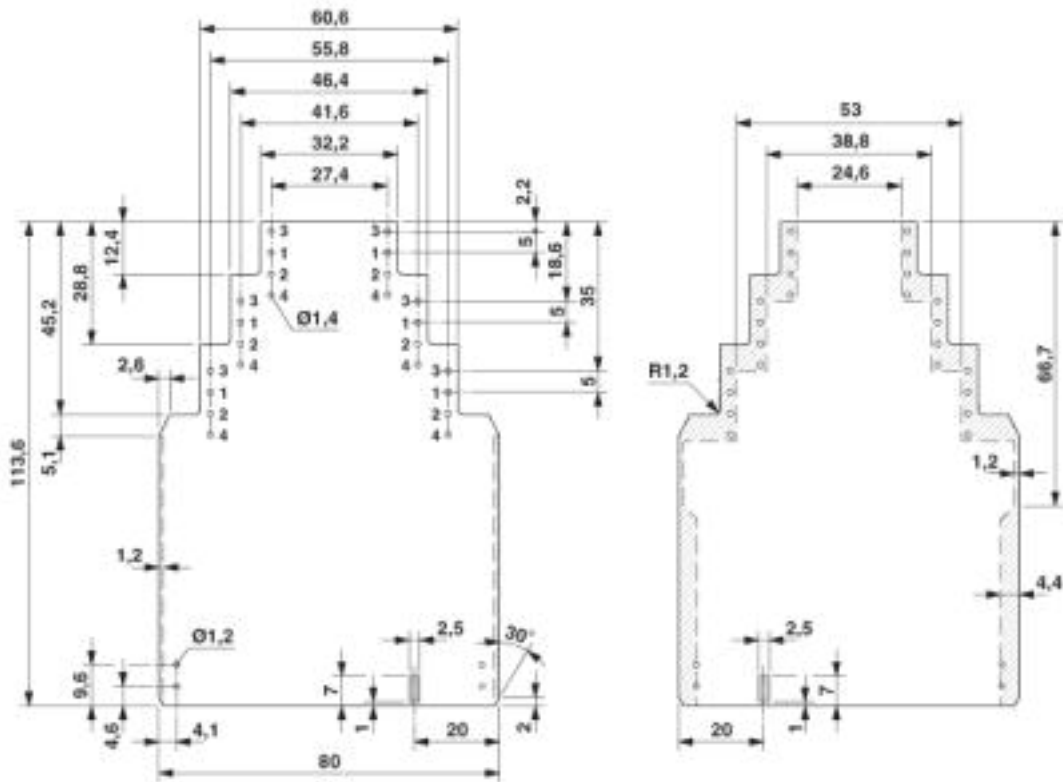
Dimensioned drawing



Dimensional drawing of the ME... printed circuit board if the triple-level upper part is used

# Electronic housing - ME 22,5 UTG GN - 2907127

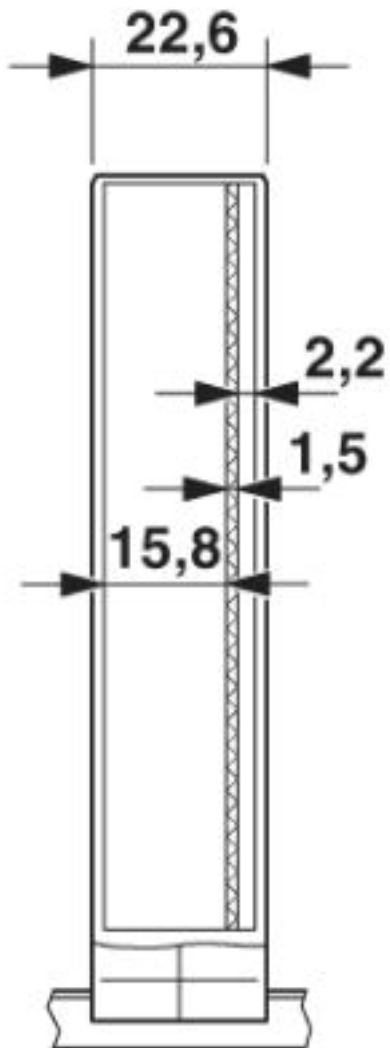
Dimensioned drawing



Dimensional drawing of the ME... printed circuit board if the triple-level upper part is used

## Electronic housing - ME 22,5 UTG GN - 2907127

Dimensioned drawing



Inner housing dimensions, electronic housing ME 22.5 ...

© Phoenix Contact 2013 - all rights reserved  
<http://www.phoenixcontact.com>