

Electronic housing - ME 22,5 UTG BK - 2908427

Please be informed that the data shown in this PDF Document is generated from our Online Catalog. Please find the complete data in the user's documentation. Our General Terms of Use for Downloads are valid (<http://download.phoenixcontact.com>)



Lower part of housing closed, fully assembled, with metal foot catch.

Illustration shows fully mounted versions of the electronic housing, in green

Product Features

- Tool-free mounting
- Low design width with a high number of positions
- Large assembly area
- Recessed labeling areas
- Same PCB geometry for all design widths
- Inflammability class V0 according to UL 94
- Fast mounting on DIN rails according to EN 60715
- Material and part identification embossed on the housing (recyclability)
- Cost savings thanks to easy device production
- Functional earth ground contact (EMC) integrated in the housing base
- Electronic components can be partially removed
- Optional BUS connection integrated in the housing, for either parallel or serial contacting
- Metal foot catch

Key commercial data

| | |
|-------------------------|---------------|
| package_quantity | 100 |
| GTIN | 4017918359836 |

classifications

eCl@ss

| | |
|-------------------|----------|
| eCl@ss 4.0 | 27180401 |
| eCl@ss 4.1 | 27180401 |
| eCl@ss 5.0 | 27180506 |
| eCl@ss 5.1 | 27180506 |
| eCl@ss 6.0 | 27180802 |
| eCl@ss 7.0 | 27182702 |
| eCl@ss 8.0 | 27182702 |

ETIM

| | |
|-----------------|----------|
| ETIM 2.0 | EC001031 |
|-----------------|----------|

Electronic housing - ME 22,5 UTG BK - 2908427

classifications

ETIM

| | |
|-----------------|----------|
| ETIM 3.0 | EC001031 |
| ETIM 4.0 | EC001031 |
| ETIM 5.0 | EC001031 |

UNSPSC

| | |
|----------------------|----------|
| UNSPSC 6.01 | 31261501 |
| UNSPSC 7.0901 | 31261501 |
| UNSPSC 11 | 31261501 |
| UNSPSC 12.01 | 31261501 |
| UNSPSC 13.2 | 31261501 |

approvals

UL Recognized /

Approval details



accessories

Coding element

CR-MSTB - 1734401



CP-MSTB - 1734634



Component housing center part

Electronic housing - ME 22,5 UTG BK - 2908427

accessories

ME 45 UTM GN - 2853404



ME 45 UTM G GN - 2853417



Mounting material

ME-SAS - 2853899



ME LPZS - 2906911



ME MF 17,5 - 2908281



Electronic housing - ME 22,5 UTG BK - 2908427

accessories

ME-SAS - 2853899

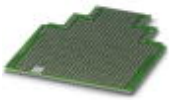


ME LPZS - 2906911

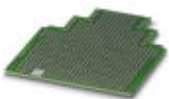


PCB

ME LP - 2906908



ME LP - 2906908



Ground contact

ME FE-CONTACT - 2908294



Printed circuit board terminal

Electronic housing - ME 22,5 UTG BK - 2908427

accessories

MKDSO 2,5/ 4-L - 1707234



MKDSO 2,5/ 4-R - 1707247



Filler plug

ME B-22,5 MKDSO GN - 2907143



accessories

ME B-22,5 MKDSO BK - 2908456

ME B-22,5 MSTBO BK - 2909659

Electronic housing - ME 22,5 UTG BK - 2908427

accessories

MKDSO 2,5/ 4-R BK - 2869760

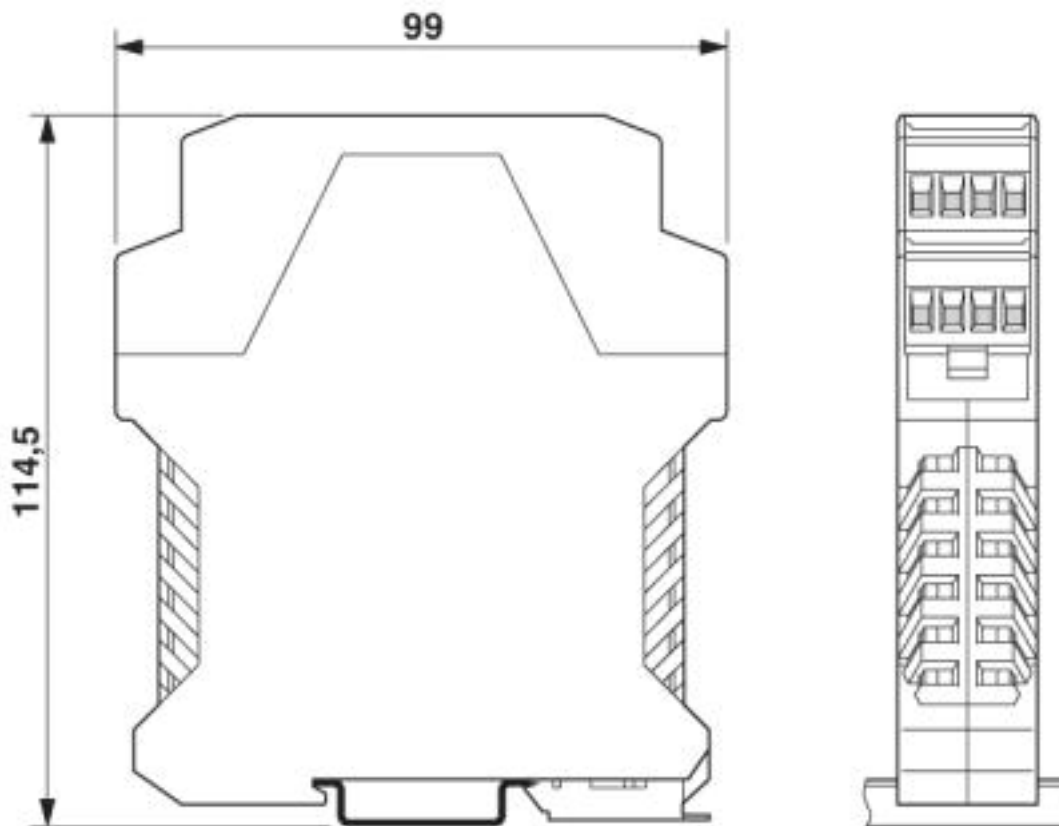
MKDSO 2,5/ 4-L BK - 2869773

ME B-22,5 MKDSO BK - 2908456

Drawings

Electronic housing - ME 22,5 UTG BK - 2908427

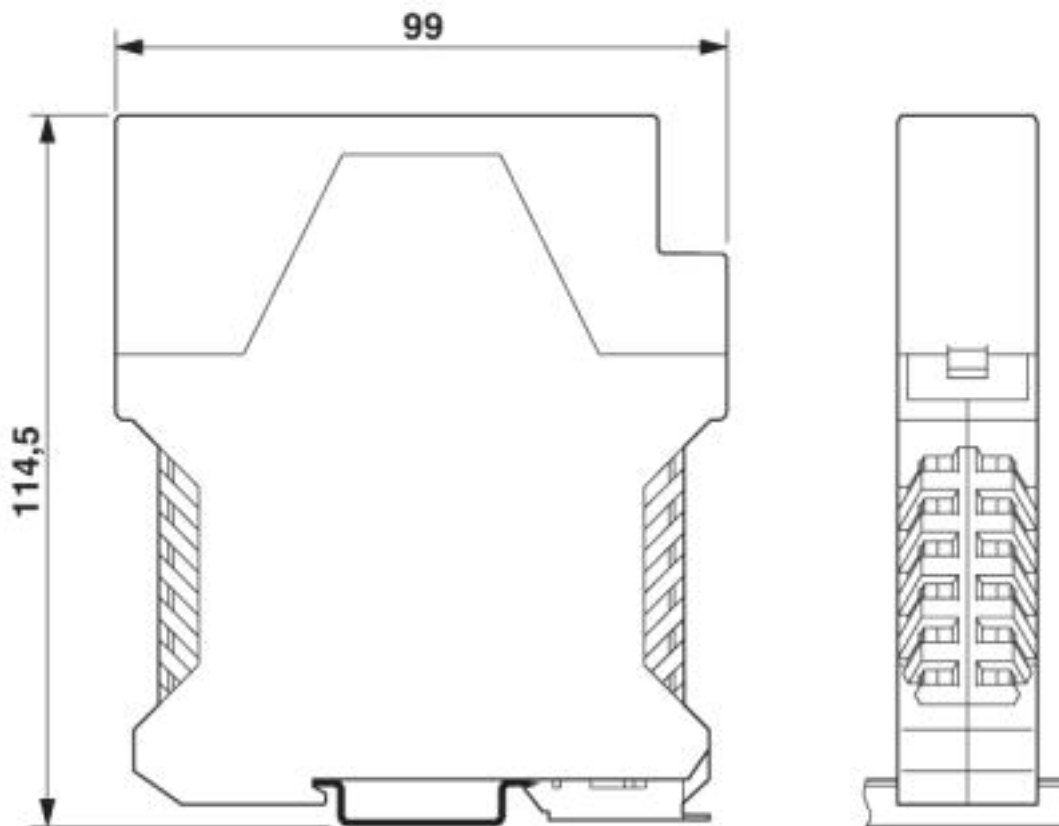
Dimensioned drawing



Dimensions of the electronic housing ME... with double-level upper part

Electronic housing - ME 22,5 UTG BK - 2908427

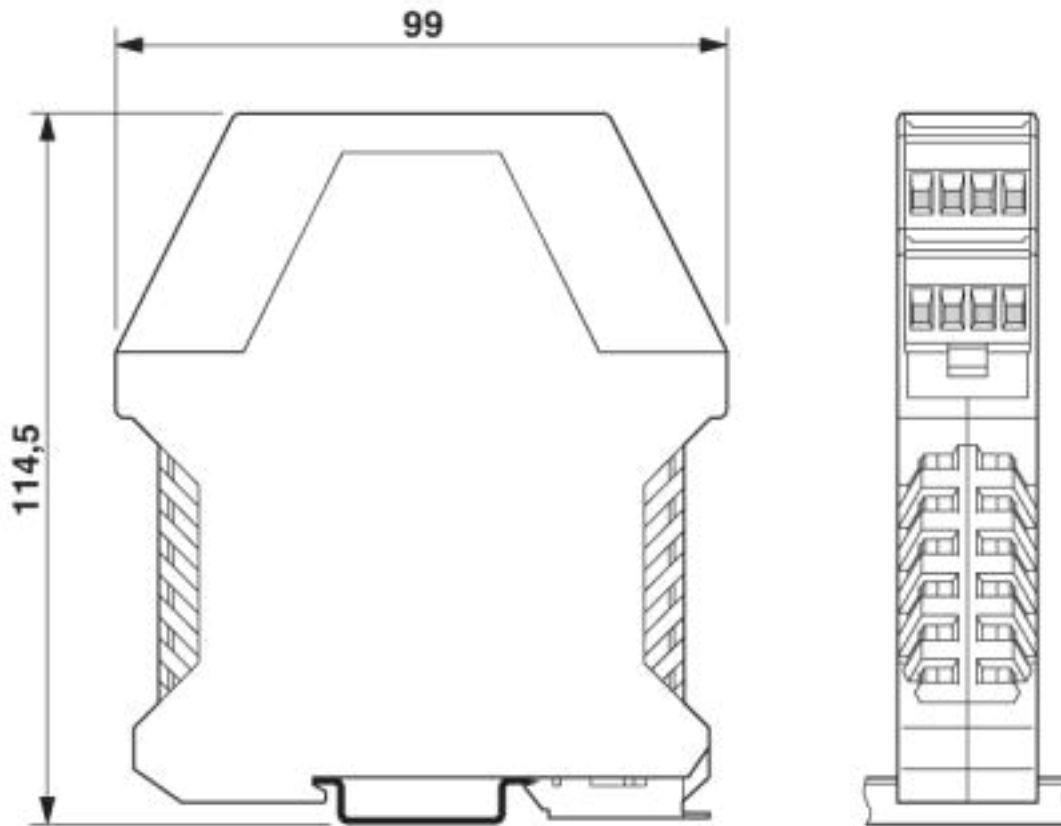
Dimensioned drawing



Dimensions of the electronic housing ME... with single-level upper part

Electronic housing - ME 22,5 UTG BK - 2908427

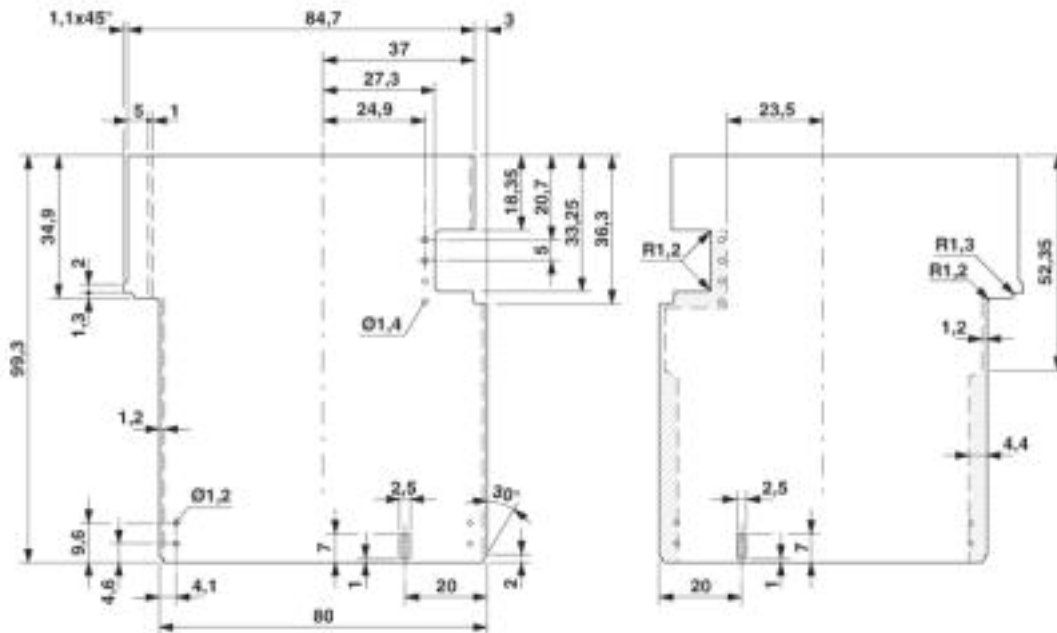
Dimensioned drawing



Dimensions of the electronic housing ME... with double-level upper part

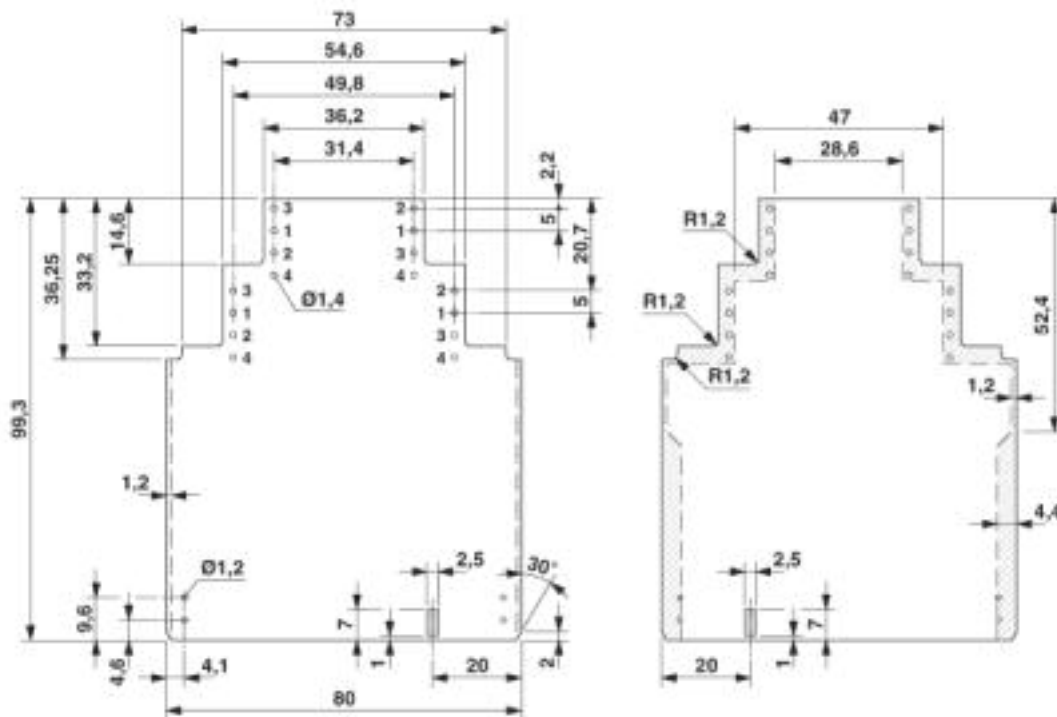
Electronic housing - ME 22,5 UTG BK - 2908427

Dimensioned drawing



Dimensional drawing of the ME... printed circuit board if the single level upper part is used

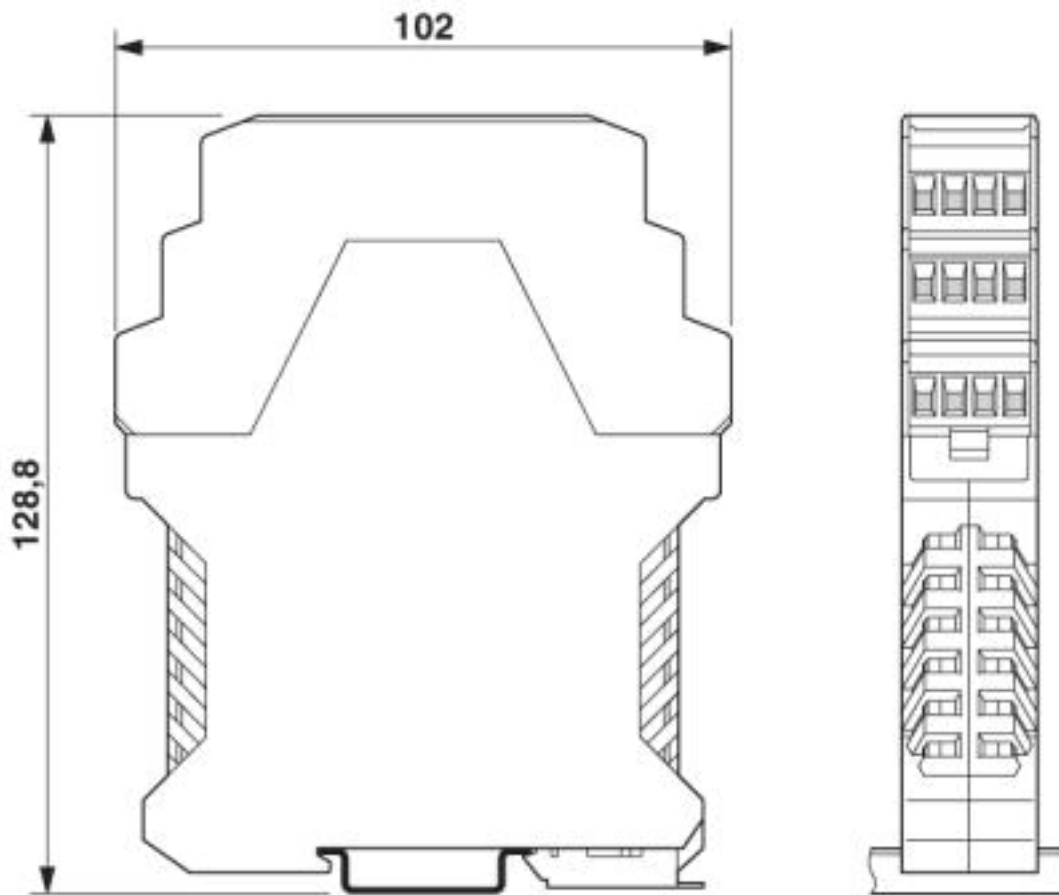
Dimensioned drawing



Dimensional drawing of the ME... printed circuit board if the double level upper part is used

Electronic housing - ME 22,5 UTG BK - 2908427

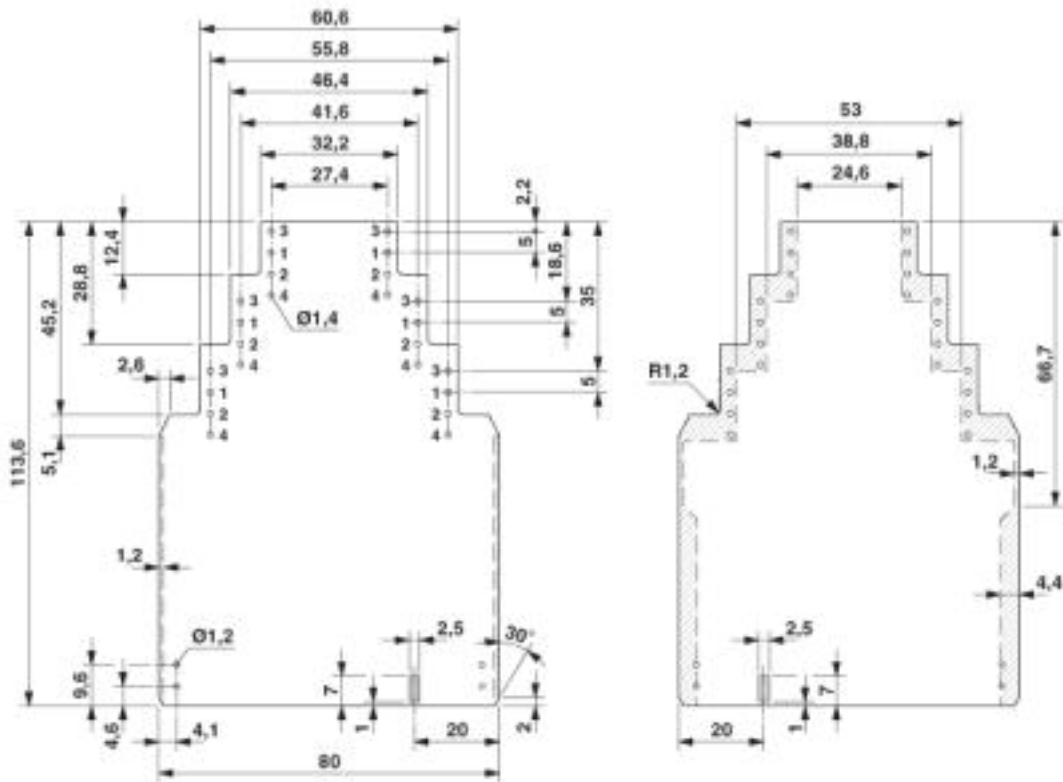
Dimensioned drawing



Dimensional drawing of the ME... printed circuit board if the triple-level upper part is used

Electronic housing - ME 22,5 UTG BK - 2908427

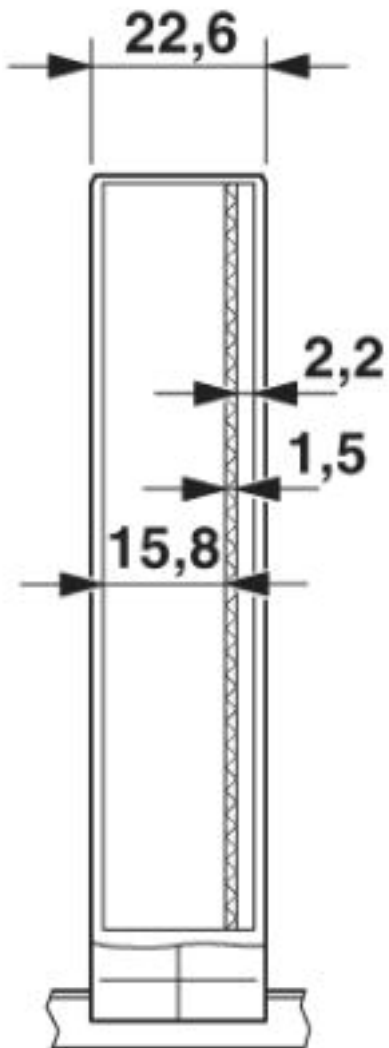
Dimensioned drawing



Dimensional drawing of the ME... printed circuit board if the triple-level upper part is used

Electronic housing - ME 22,5 UTG BK - 2908427

Dimensioned drawing



Inner housing dimensions, electronic housing ME 22.5 ...

© Phoenix Contact 2013 - all rights reserved
<http://www.phoenixcontact.com>