

Electronic housing - ME 22,5 SF-UT GN - 2708009

Please be informed that the data shown in this PDF Document is generated from our Online Catalog. Please find the complete data in the user's documentation. Our General Terms of Use for Downloads are valid (<http://download.phoenixcontact.com>)



Lower housing parts with vents, extra flat design, fully assembled

Product Features

- Tool-free mounting
- Low design width with a high number of positions
- Large assembly area
- Same PCB geometry for all design widths
- Recessed labeling areas
- Fast mounting on DIN rails according to EN 60715
- Inflammability class V0 according to UL 94
- Cost savings thanks to easy device production
- Material and part identification embossed on the housing (recyclability)
- Electronic components can be partially removed
- Functional earth ground contact (EMC) integrated in the housing base
- Metal foot catch
- Optional BUS connection integrated in the housing, for either parallel or serial contacting

Key commercial data

package_quantity	10
GTIN	4017918909147

Technical data

General

Housing type	Component housing
Housing material	Polyamide
Color	green

Dimensions

Constructional height	92 mm
Width	22.5 mm

Technical data

Inflammability class according to UL 94	V0
Number of positions	16
Number of positions	24

Electronic housing - ME 22,5 SF-UT GN - 2708009

Technical data

classifications

eCl@ss

eCl@ss 4.0	27180401
eCl@ss 4.1	27180401
eCl@ss 5.0	27180506
eCl@ss 5.1	27180506
eCl@ss 6.0	27180802
eCl@ss 7.0	27182702
eCl@ss 8.0	27182702

ETIM

ETIM 2.0	EC001031
ETIM 3.0	EC001031
ETIM 4.0	EC001031
ETIM 5.0	EC001031

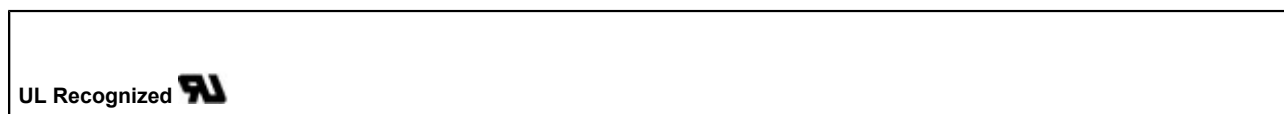
UNSPSC

UNSPSC 6.01	31261501
UNSPSC 7.0901	31261501
UNSPSC 11	31261501
UNSPSC 12.01	31261501
UNSPSC 13.2	31261501

approvals

UL Recognized /

Approval details



accessories

Coding element

CR-MSTB - 1734401



Electronic housing - ME 22,5 SF-UT GN - 2708009

accessories

CP-MSTB - 1734634



Mounting material

ME-SAS - 2853899



ME LPZS - 2906911



Filler plug

ME B-22,5 MKDSO GN - 2907143



ME B-22,5 MSTBO GN - 2907156



Electronic housing - ME 22,5 SF-UT GN - 2708009

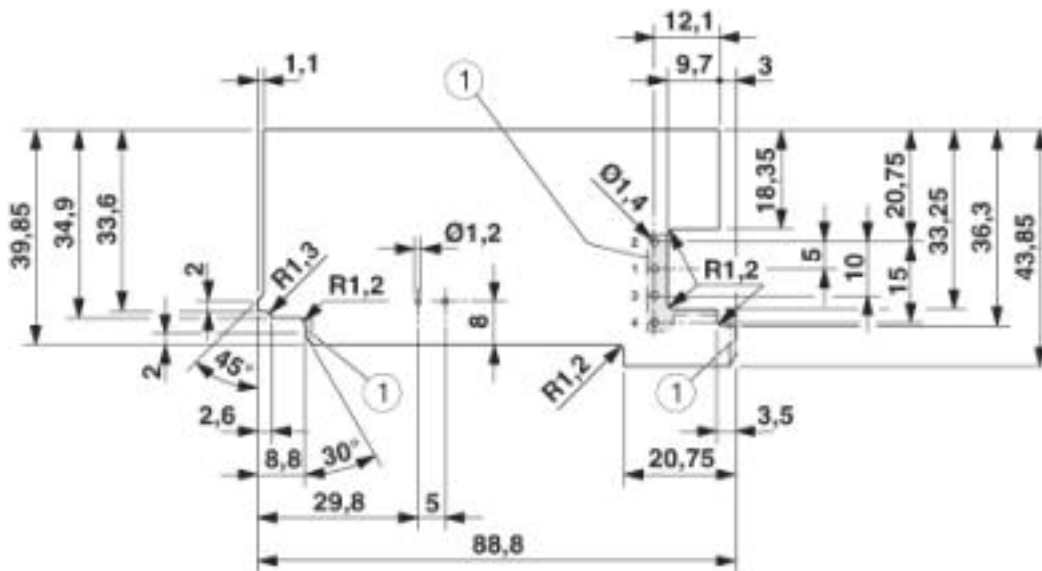
accessories

ME B-12,5 3MSTBO GN - 2709176



Drawings

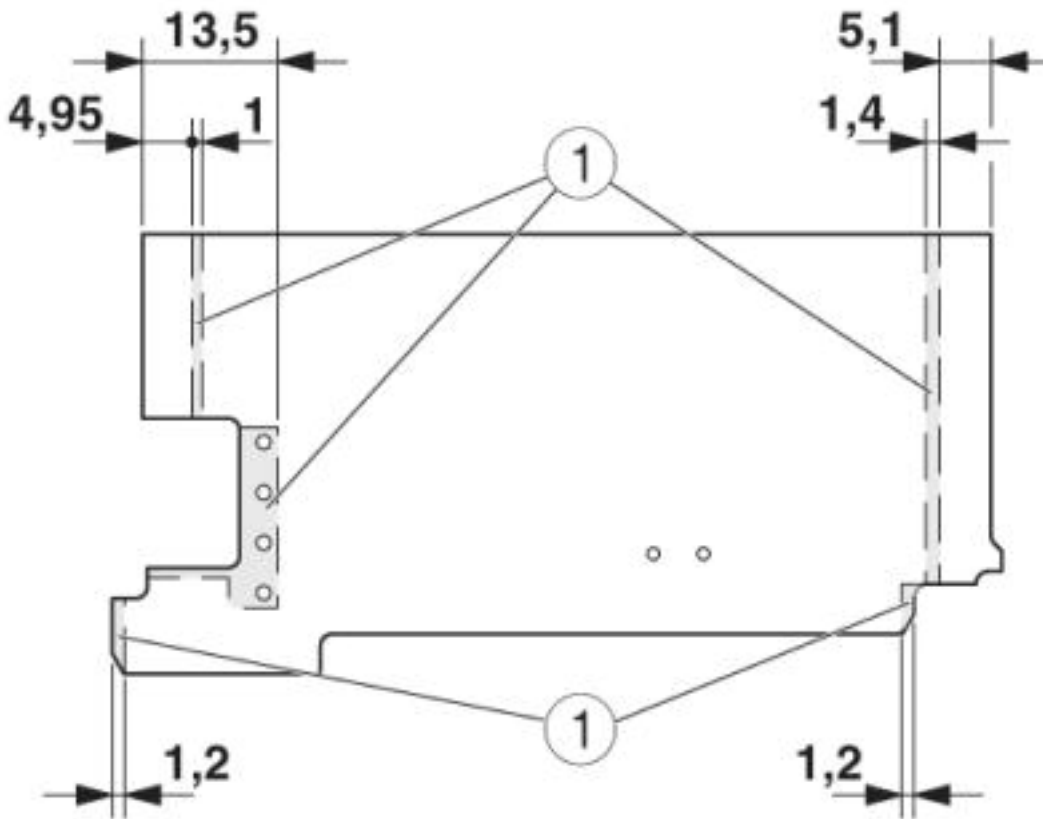
Dimensioned drawing



Dimensional drawing of the ME 22,5 superflat... (component mounting side) if the single-level upper part is used

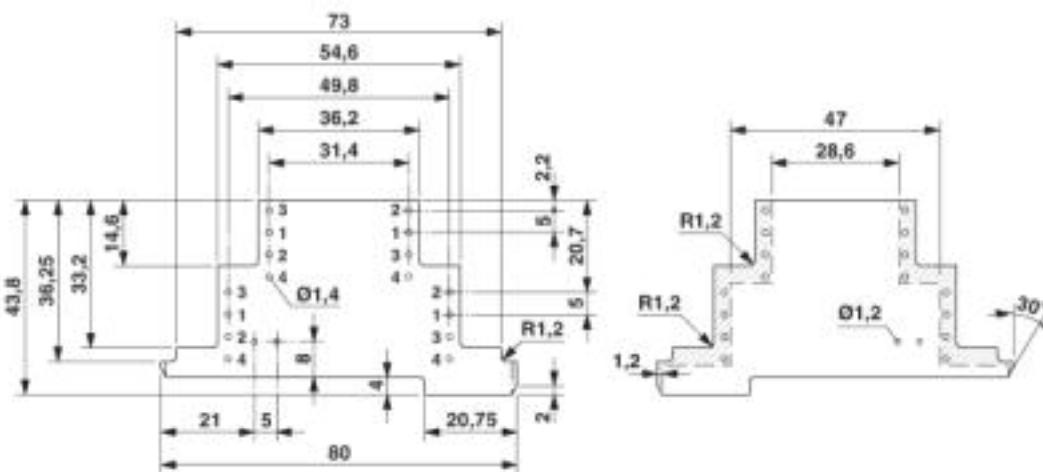
Electronic housing - ME 22,5 SF-UT GN - 2708009

Dimensioned drawing



Dimensional drawing of the ME 22,5 superflat... (soldering side) if the single-level upper part is used

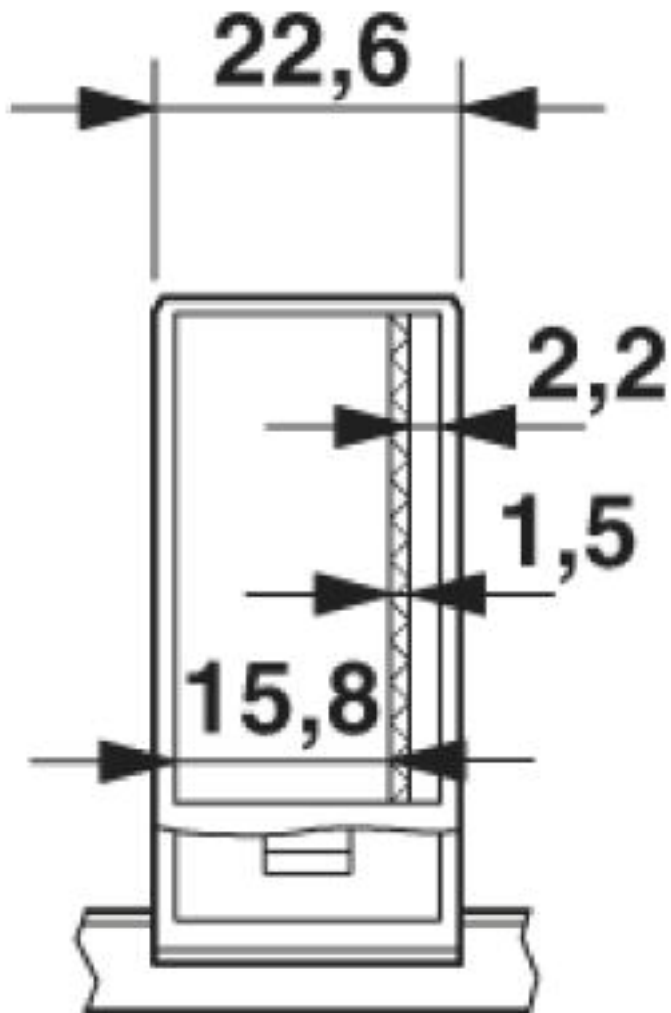
Dimensioned drawing



Dimensional drawing of the ME 22,5 super-flat... printed circuit board if the double level upper part is used

Electronic housing - ME 22,5 SF-UT GN - 2708009

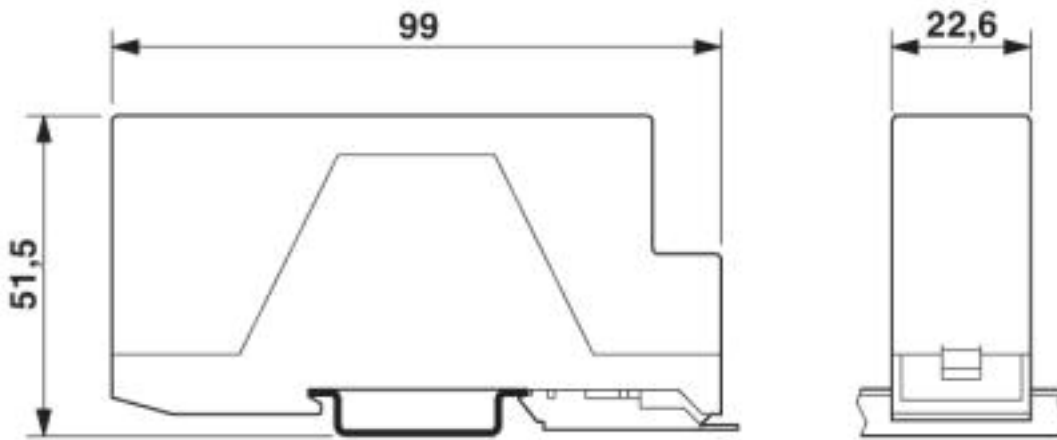
Dimensioned drawing



Internal housing dimensions, electronics housing ME 22.5 flat...

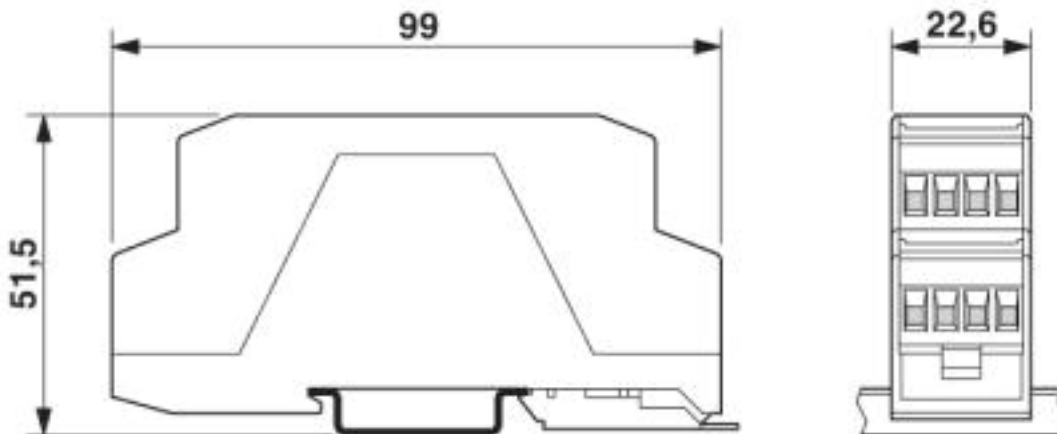
Electronic housing - ME 22,5 SF-UT GN - 2708009

Dimensioned drawing



Dimensions of the electronic housing ME 22.5 super-flat... with single-level upper part

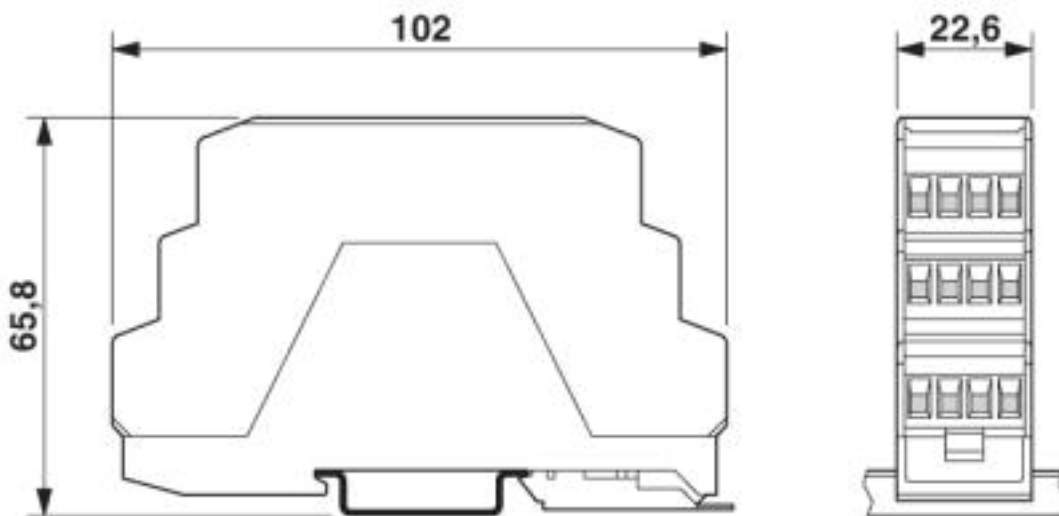
Dimensioned drawing



Housing dimensions, electronic housing ME 22.5 super-flat... with double-level upper part

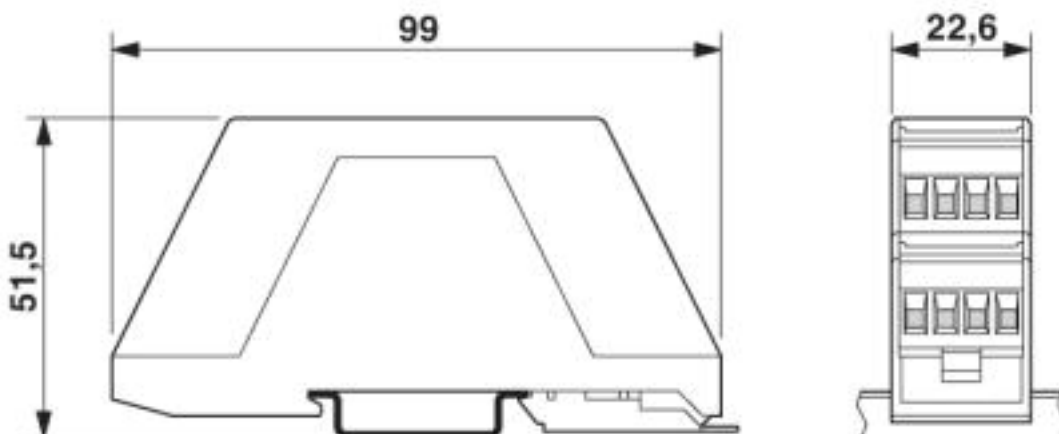
Electronic housing - ME 22,5 SF-UT GN - 2708009

Dimensioned drawing



Housing dimensions, electronic housing ME 22.5 super-flat... with triple-level upper part

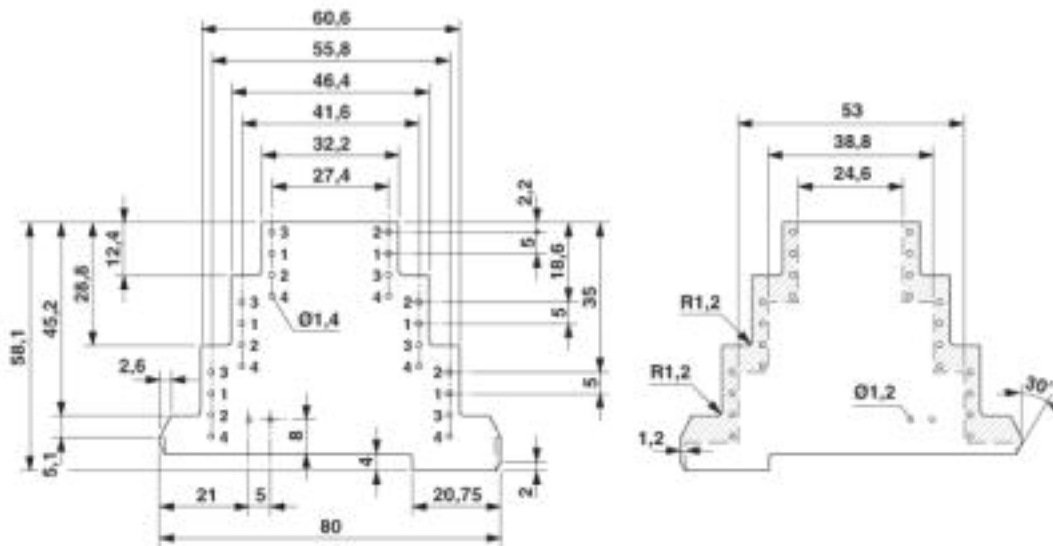
Dimensioned drawing



Housing dimensions, electronic housing ME 22.5 super-flat... with single-level upper part

Electronic housing - ME 22,5 SF-UT GN - 2708009

Dimensioned drawing



Dimensional drawing of the ME 22.5 super-flat... PCB when using the three level top part

© Phoenix Contact 2013 - all rights reserved
<http://www.phoenixcontact.com>