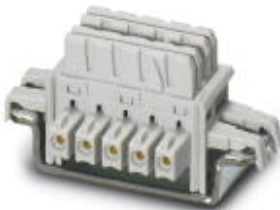


Electronic housing - ME 6,2 TBUS-2 1,5/5-ST-3,81KMGY - 2969401

Please be informed that the data shown in this PDF Document is generated from our Online Catalog. Please find the complete data in the user's documentation. Our General Terms of Use for Downloads are valid (<http://download.phoenixcontact.com>)



DIN rail bus connector for potential bridging of devices arranged next to one another across all modules.

Key commercial data

package_quantity	10
GTIN	4017918975210

Technical data

General

Rated voltage (III/3)	125 V
Nominal current I _N	8 A

classifications

eCl@ss

eCl@ss 4.0	27180401
eCl@ss 4.1	27180401
eCl@ss 5.0	27180506
eCl@ss 5.1	27180506
eCl@ss 6.0	27260704
eCl@ss 7.0	27440402
eCl@ss 8.0	27440402

ETIM

ETIM 2.0	EC001031
ETIM 3.0	EC001031
ETIM 4.0	EC002638
ETIM 5.0	EC002638

UNSPSC

UNSPSC 6.01	31261501
UNSPSC 7.0901	31261501
UNSPSC 11	31261501
UNSPSC 12.01	31261501

Electronic housing - ME 6,2 TBUS-2 1,5/5-ST-3,81KMGY - 2969401

classifications

UNSPSC

UNSPSC 13.2	31261501
--------------------	----------

approvals

UL Recognized / cUL Recognized / cULus Recognized /

Approval details

UL Recognized		
Usegroups	B	D
Nominal voltage UN	150 V	150 V
Nominal current IN	8 A	8 A
mm ² /AWG/kcmil		

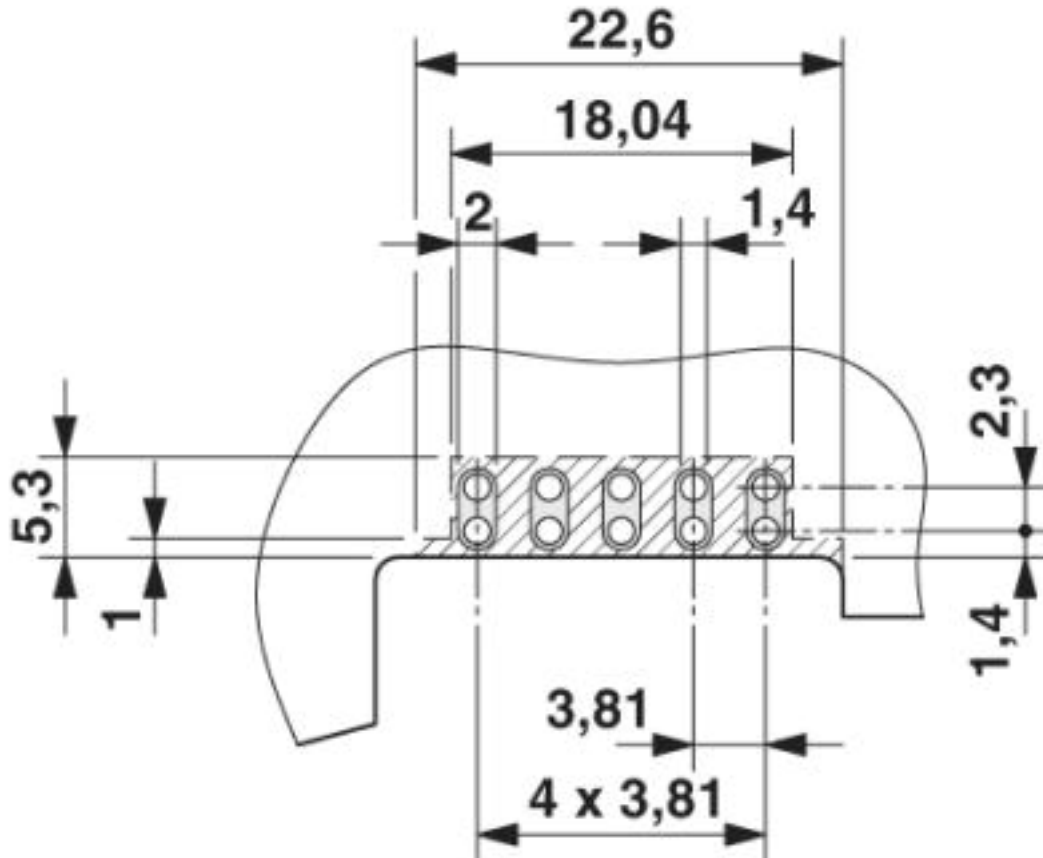
cUL Recognized		
Usegroups	B	D
Nominal voltage UN	150 V	150 V
Nominal current IN	8 A	8 A
mm ² /AWG/kcmil		

cULus Recognized		
-------------------------	--	--

Drawings

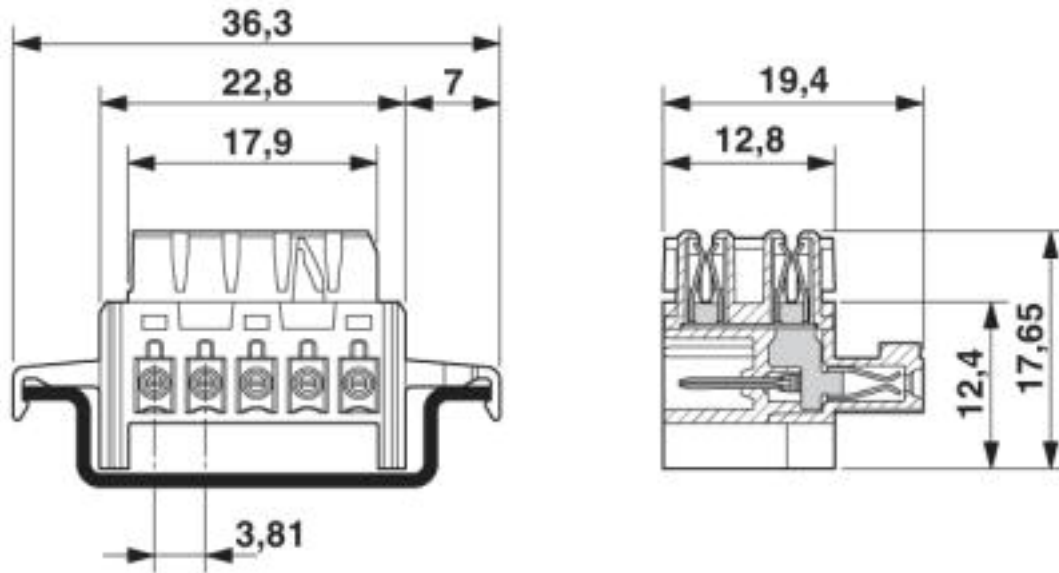
Electronic housing - ME 6,2 TBUS-2 1,5/5-ST-3,81KMGY - 2969401

Dimensioned drawing



Electronic housing - ME 6,2 TBUS-2 1,5/5-ST-3,81KMGY - 2969401

Dimensioned drawing



© Phoenix Contact 2013 - all rights reserved
<http://www.phoenixcontact.com>